

19" Enclosures Profitronic 19 Product Drawings

Rose+Bopla Enclosures
7330 Executive Way
Frederick, MD 21704
www.rose-bopla.com
customerservice@rose-bopla.com



TECHNICAL DATA:

- Color:
Enclosure body and terminal chamber, light gray, similar to RAL 7035.
Lid and external mounting brackets, stone gray, similar to RAL 7030.
- Material:
Enclosure body, Al Mg Si 0.5.
Terminal chamber, Al Si 12
- Gasket: Neoprene
- Finish: Resin stove-enamel finish
- Opening Angle: Terminal chamber and transparent cover, 110°.
- Protection Classifications: IP 65 to EN 60529
- Temperature range:
Lid seals: -40° F to +212° F
Transparent cover: -40° F to +158° F

Profitronic 19 is the enclosure system for 19" components, and with an IP65 rating, is ideal for use in an industrial environment. These enclosures are made of robust aluminum extrusions and

Profitronic 19

are designed in a modular fashion. With 40 different variations, the Profitronic enclosure system offers unique solutions for any application in measurement and control technology, bus technology and desktop enclosures. Profitronic is designed for use as a wall enclosure, switchboard enclosures or desktop enclosures.

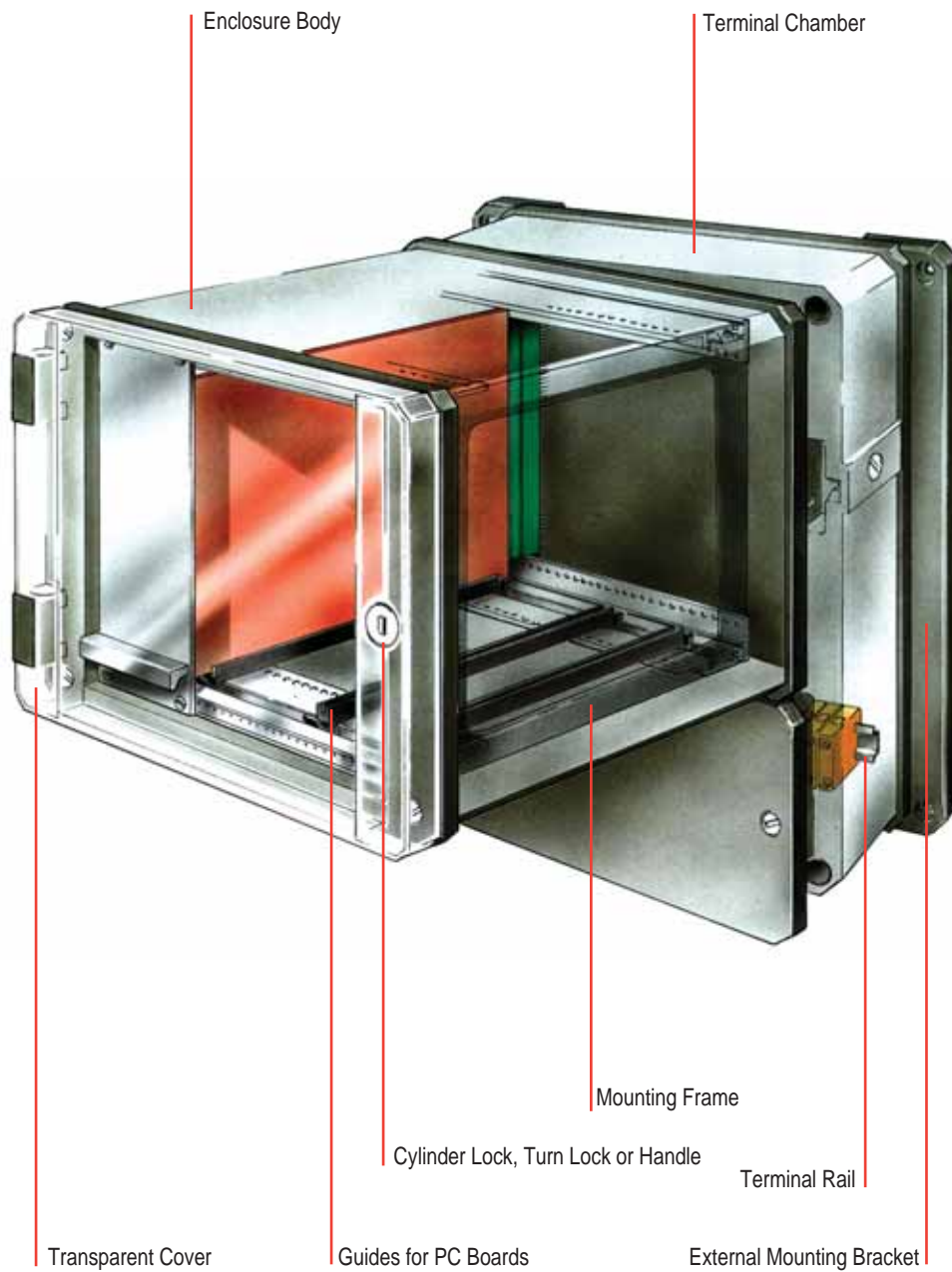
While the Profitronic 19 offers high EMI/RFI efficiency in the standard version, there is a special EMI/RFI version with conductive gaskets for critical applications.

Some of the significant advantages of this product series are:

- Interior in 19" design;
- Free access to the wiring area at the back of the enclosure due to the hinged enclosure body;
- Separate terminal chamber in two mounting depths to build in power supply units, motherboards, double-deck or triple-deck terminals;
- Front plate lid version for modification to your design, components and controls;
- Tapped profiles at the rear to hold connector bars to IEC 603/DIN 41612;
- Mounting bosses to attach bus boards;
- Snap-on guard rails for printed circuit boards;
- Ability to wall mount through fastening channels located outside the sealing lip;
- Transparent front covers with locks are available; and
- Tapped front bars for mounting front plate parts.

Profitronic 19 is offered with an open front frame, a closed front frame or a hinged front cover in clear polycarbonate. Clear front covers come standard with a plastic screwdriver lock. A metal cylinder lock, with key, for transparent covers can be installed on request.

Profitronic 19



Profitronic 19 Enclosure System

Part Number	Description	Width (Inches/mm)	Height (Inches/mm)	Depth (Inches/mm)	Weight LBS.	Drawing Page #
07191100 00	Open front frame with terminal chamber and 19" mounting frame	5.83 / 148	9.49 / 241	9.76 / 248	4.85 lbs.	17-309
07281100 00	Open front frame with terminal chamber and 19" mounting frame	7.52 / 191	9.49 / 241	9.76 / 248	7.28 lbs.	17-309
07421100 00	Open front frame with terminal chamber and 19" mounting frame	10.43 / 265	9.49 / 241	9.76 / 248	11.02 lbs.	17-309
07191101 00	Deep terminal chamber and 19" mounting frame	5.83 / 148	9.49 / 241	11.34 / 288	6.61 lbs.	17-309
07281101 00	Deep terminal chamber and 19" mounting frame	7.52 / 191	9.49 / 241	11.34 / 288	8.82 lbs.	17-309
07421101 00	Deep terminal chamber and 19" mounting frame	10.43 / 265	9.49 / 241	11.34 / 288	13.23 lbs.	17-309
07191200 00	Open front frame with 19" mounting frame	5.83 / 148	5.87 / 149	9.76 / 248	3.09 lbs.	17-309
07281200 00	Open front frame with 19" mounting frame	7.52 / 191	5.87 / 149	9.76 / 248	4.41 lbs.	17-309
07421200 00	Open front frame with 19" mounting frame	10.43 / 265	5.87 / 149	9.76 / 248	6.61 lbs.	17-309
07192100 00	19" mounting frame with terminal chamber and transparent cover	5.83 / 148	9.49 / 241	10.35 / 263	5.29 lbs.	17-310
07282100 00	19" mounting frame with terminal chamber and transparent cover	7.52 / 191	9.49 / 241	10.35 / 263	7.72 lbs.	17-310
07422100 00	19" mounting frame with terminal chamber and transparent cover	10.43 / 265	9.49 / 241	10.35 / 263	11.68 lbs.	17-310
07192101 00	Deep terminal chamber with 19" mounting frame and transparent cover	5.83 / 148	9.49 / 241	11.93 / 303	7.05 lbs.	17-310
07282101 00	Deep terminal chamber with 19" mounting frame and transparent cover	7.52 / 191	9.49 / 241	11.93 / 303	9.26 lbs.	17-310
07422101 00	Deep terminal chamber with 19" mounting frame and transparent cover	10.43 / 265	9.49 / 241	11.93 / 303	13.67 lbs.	17-310
07192200 00	Hinged clear front cover with 19" mounting frame	5.83 / 148	5.87 / 149	10.31 / 262	3.31 lbs.	17-310
07282200 00	Hinged clear front cover with 19" mounting frame	7.52 / 191	5.87 / 149	10.31 / 262	4.85 lbs.	17-310
07422200 00	Hinged clear front cover with 19" mounting frame	10.43 / 265	5.87 / 149	10.31 / 262	7.28 lbs.	17-310
07192300 00	With terminal chamber, front plate lid and clear front cover	5.83 / 148	9.49 / 241	3.62 / 92	4.19 lbs.	17-311
07282300 00	With terminal chamber, front plate lid and clear front cover	7.52 / 191	9.49 / 241	3.62 / 92	4.74 lbs.	17-311
07422300 00	With terminal chamber, front plate lid and clear front cover	10.43 / 265	9.49 / 241	3.62 / 92	5.73 lbs.	17-311
07192301 00	With deep terminal chamber, front plate lid and clear front cover	5.83 / 148	9.49 / 241	5.20 / 132	5.40 lbs.	17-311
07282301 00	With deep terminal chamber, front plate lid and clear front cover	7.52 / 191	9.49 / 241	5.20 / 132	5.40 lbs.	17-311
07422301 00	With deep terminal chamber, front plate lid and clear front cover	10.43 / 265	9.49 / 241	5.20 / 132	7.61 lbs.	17-311
07193100 00	Closed front frame with terminal chamber and front plate lid	5.83 / 148	9.49 / 241	10.20 / 259	5.51 lbs.	17-311
07283100 00	Closed front frame with terminal chamber and front plate lid	7.52 / 191	9.49 / 241	10.20 / 259	8.38 lbs.	17-311
07423100 00	Closed front frame with terminal chamber and front plate lid	10.43 / 265	9.49 / 241	10.20 / 259	12.38 lbs.	17-311
07193101 00	With deep terminal chamber and front plate lid	5.83 / 148	9.49 / 241	11.77 / 299	7.05 lbs.	17-311
07283101 00	With deep terminal chamber and front plate lid	7.52 / 191	9.49 / 241	11.77 / 299	9.26 lbs.	17-311
07423101 00	With deep terminal chamber and front plate lid	10.43 / 265	9.49 / 241	11.77 / 299	13.67 lbs.	17-311
07193200 00	Closed front frame and front plate lid	5.83 / 148	5.87 / 149	10.16 / 258	3.75 lbs.	17-312
07283200 00	Closed front frame and front plate lid	7.52 / 191	5.87 / 149	10.16 / 258	4.47 lbs.	17-312
07423200 00	Closed front frame and front plate lid	10.43 / 265	5.87 / 149	10.16 / 258	7.94 lbs.	17-312
07193300 00	With terminal chamber and closed front lid	5.83 / 148	9.49 / 241	3.03 / 77	3.86 lbs.	17-312
07283300 00	With terminal chamber and closed front lid	7.52 / 191	9.49 / 241	3.03 / 77	4.41 lbs.	17-312
07423300 00	With terminal chamber and closed front lid	10.43 / 265	9.49 / 241	3.03 / 77	5.40 lbs.	17-312
07193301 00	With deep terminal chamber and front lid	5.83 / 148	9.49 / 241	11.77 / 299	5.07 lbs.	17-312
07283301 00	With deep terminal chamber and front lid	7.52 / 191	9.49 / 241	11.77 / 299	5.73 lbs.	17-312
07423301 00	With deep terminal chamber and front lid	10.43 / 265	9.49 / 241	11.77 / 299	7.17 lbs.	17-312

1.57" deeper terminal chamber available on request.

Note: Dimensions are external. Metric is the primary dimension. Inch conversions are for the user's convenience and are for reference only.



19" Enclosures

Standard Features
<ul style="list-style-type: none"> • 07191100 00 Open front frame with terminal chamber and 19" mounting frame. • 07281100 00 Open front frame with terminal chamber and 19" mounting frame. • 07421100 00 Open front frame with terminal chamber and 19" mounting frame. • 07191101 00 Deep terminal chamber and 19" mounting frame. • 07281101 00 Deep terminal chamber and 19" mounting frame. • 07421101 00 Deep terminal chamber and 19" mounting frame.
Accessories
<ul style="list-style-type: none"> • 07000100 00 External Brackets. • 07000010 00 Card guides (set of 10). • 07190010 00 Backplane adapter (for 2-part connectors) for 0719 (set of 2). • 07280010 00 Backplane adapter (for 2-part connectors) for 0728 (set of 2). • 07420010 00 Backplane adapter (for 2-part connectors) for 0742 (set of 2). • 07190020 00 Insulation strips for 07190010 00 (set of 2). • 07280020 00 Insulation strips for 07280010 00 (set of 2). • 07420020 00 Insulation strips for 07420010 00 (set of 2).

Enclosure with Terminal Chamber and 19" Mounting Frame.

Part #	A	B	C	H	D
07191100 00	148	98	18 x 5.08 = 91.44	241	248
07281100 00	191	144	27 x 5.08 = 137.16	241	248
07421100 00	265	215	41 x 5.08 = 208.28	241	248
07191101 00	148	98	18 x 5.08 = 91.44	241	288
07281101 00	191	144	27 x 5.08 = 137.16	241	288
07421101 00	265	215	41 x 5.08 = 208.28	241	288

Standard Features
<ul style="list-style-type: none"> • 07191200 00 Open front frame with 19" mounting frame. • 07281200 00 Open front frame with 19" mounting frame. • 07421200 00 Open front frame with 19" mounting frame.
Accessories
<ul style="list-style-type: none"> • 07000200 00 External Brackets. • 07000010 00 Card guides (set of 10). • 07190010 00 Backplane adapter (for 2-part connectors) for 0719 (set of 2). • 07280010 00 Backplane adapter (for 2-part connectors) for 0728 (set of 2). • 07420010 00 Backplane adapter (for 2-part connectors) for 0742 (set of 2). • 07190020 00 Insulation strips for 07190010 00 (set of 2). • 07280020 00 Insulation strips for 07280010 00 (set of 2). • 07420020 00 Insulation strips for 07420010 00 (set of 2).

Enclosure without Terminal Chamber, with 19" Mounting Frame.

Part #	A	B	C	H	D
07191200 00	148	98	18 x 5.08 = 91.44	149	248
07281200 00	191	144	27 x 5.08 = 137.16	149	248
07421200 00	265	215	41 x 5.08 = 208.28	149	248

Dimensional Drawings

19" Enclosures

Profitronic 19

Page 15-4

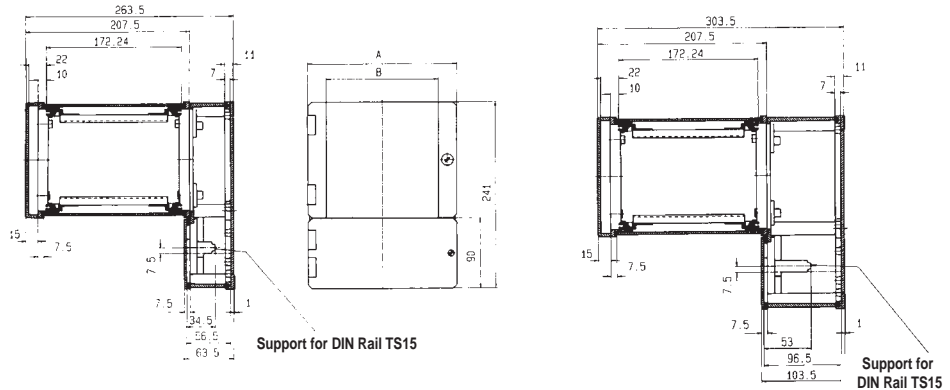
Standard Features

- **07192100 00** 19" mounting frame with terminal chamber and transparent door.
- **07282100 00** 19" mounting frame with terminal chamber and transparent door.
- **07422100 00** 19" mounting frame with terminal chamber and transparent door.
- **07192101 00** Deep terminal chamber and 19" mounting frame and transparent door.
- **07282101 00** Deep terminal chamber and 19" mounting frame and transparent door.
- **07422101 00** Deep terminal chamber and 19" mounting frame and transparent door.

Accessories

- **07000100 00** External Brackets.
- **07000010 00** Card guides (set of 10).
- **07190010 00** Backplane adapter (for 2-part connectors) for 0719 (set of 2).
- **07280010 00** Backplane adapter (for 2-part connectors) for 0728 (set of 2).
- **07420010 00** Backplane adapter (for 2-part connectors) for 0742 (set of 2).
- **07190020 00** Insulation strips for 07190010 00 (set of 2).
- **07280020 00** Insulation strips for 07280010 00 (set of 2).
- **07420020 00** Insulation strips for 07420010 00 (set of 2).

Enclosure with Terminal Chamber, 19" Mounting Frame and Transparent Cover.



Part #	A	B	H	D
07192100 00	148	101	241	263
07282100 00	191	144	241	263
07422100 00	265	218	241	263
07192101 00	148	101	241	303
07282101 00	191	144	241	303
07422101 00	265	218	241	303

Profitronic 19

Page 15-4

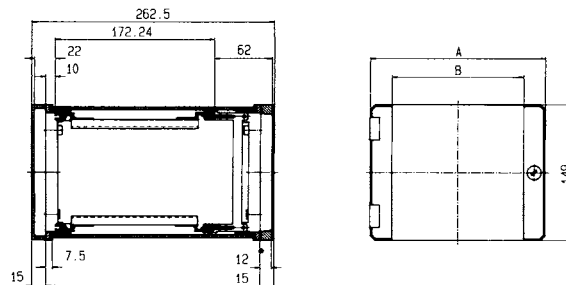
Standard Features

- **07192200 00** Hinged clear front cover with 19" mounting frame.
- **07282200 00** Hinged clear front cover with 19" mounting frame.
- **07422200 00** Hinged clear front cover with 19" mounting frame.

Accessories

- **07000200 00** External Brackets.
- **07000010 00** Card guides (set of 10).
- **07190010 00** Backplane adapter (for 2-part connectors) for 0719 (set of 2).
- **07280010 00** Backplane adapter (for 2-part connectors) for 0728 (set of 2).
- **07420010 00** Backplane adapter (for 2-part connectors) for 0742 (set of 2).
- **07190020 00** Insulation strips for 07190010 00 (set of 2).
- **07280020 00** Insulation strips for 07280010 00 (set of 2).
- **07420020 00** Insulation strips for 07420010 00 (set of 2).

Enclosure without Terminal Chamber, with 19" Mounting Frame and Transparent Cover.



Part #	A	B	H	D
07192200 00	148	101	149	262
07282200 00	191	144	149	262
07422200 00	265	218	149	262



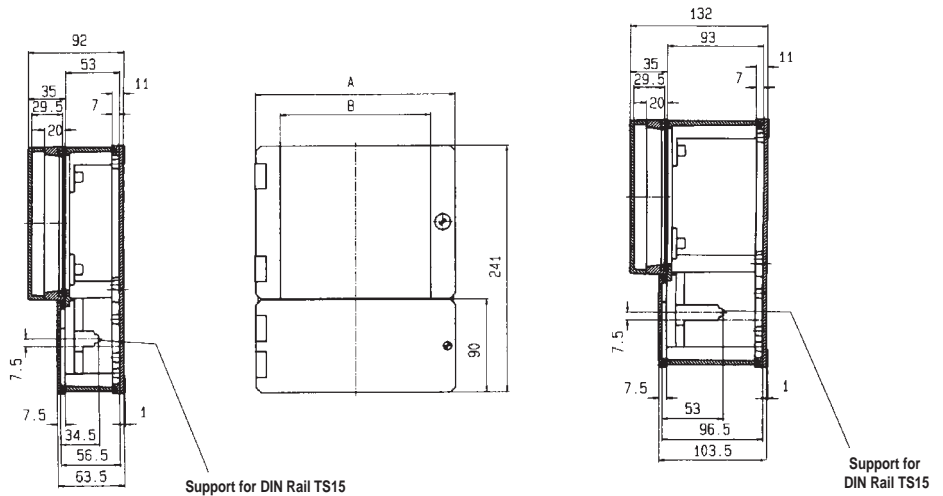
Standard Features

- **07192300 00** With terminal chamber, front plate lid and clear front cover.
- **07282300 00** With terminal chamber, front plate lid and clear front cover.
- **07422300 00** With terminal chamber, front plate lid and clear front cover.
- **07192301 00** With deep terminal chamber front plate lid and clear front cover.
- **07282301 00** With deep terminal chamber front plate lid and clear front cover.
- **07422301 00** With deep terminal chamber front plate lid and clear front cover.

Accessories

- **07000100 00** External Brackets.
- **07000010 00** Card guides (set of 10).
- **07190010 00** Backplane adapter (for 2-part connectors) for 0719 (set of 2).
- **07280010 00** Backplane adapter (for 2-part connectors) for 0728 (set of 2).
- **07420010 00** Backplane adapter (for 2-part connectors) for 0742 (set of 2).
- **07190020 00** Insulation strips for 07190010 00 (set of 2).
- **07280020 00** Insulation strips for 07280010 00 (set of 2).
- **07420020 00** Insulation strips for 07420010 00 (set of 2).

Enclosure with Terminal Chamber with Front Plate Lid and Transparent Cover.



Part #	A	B	H	D
07192300 00	148	101	241	92
07282300 00	191	144	241	92
07422300 00	265	218	241	92
07192301 00	148	101	241	132
07282301 00	191	144	241	132
07422301 00	265	218	241	132

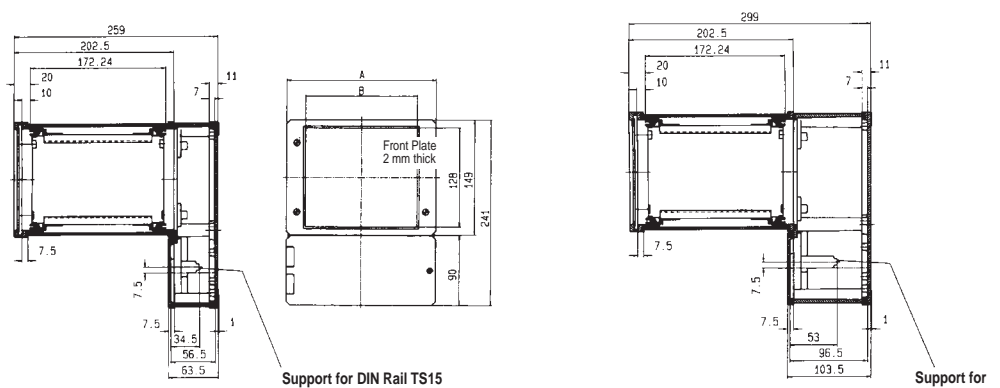
Standard Features

- **07193100 00** Closed front frame with terminal chamber and front plate lid and clear front cover.
- **07283100 00** Closed front frame with terminal chamber and front plate lid.
- **07423100 00** Closed front frame with terminal chamber and front plate lid.
- **07193101 00** With deep terminal chamber and front plate lid.
- **07283101 00** With deep terminal chamber and front plate lid.
- **07423101 00** With deep terminal chamber and front plate lid.

Accessories

- **07000100 00** External Brackets.
- **07000010 00** Card guides (set of 10).
- **07190010 00** Backplane adapter (for 2-part connectors) for 0719 (set of 2).
- **07280010 00** Backplane adapter (for 2-part connectors) for 0728 (set of 2).
- **07420010 00** Backplane adapter (for 2-part connectors) for 0742 (set of 2).
- **07190020 00** Insulation strips for 07190010 00 (set of 2).
- **07280020 00** Insulation strips for 07280010 00 (set of 2).
- **07420020 00** Insulation strips for 07420010 00 (set of 2).

Enclosure with Terminal Chamber and Front Plate Lid.



Part #	A	B	H	D
07193100 00	148	100	241	259
07283100 00	191	143	241	259
07423100 00	265	217	241	259
07193101 00	148	100	241	299
07283101 00	191	143	241	299
07423101 00	265	217	241	299

19" Enclosures

Profitronic 19

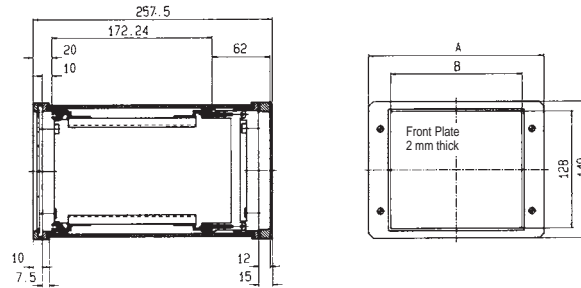
Standard Features

- **07193200 00** Closed front frame with front plate lid.
- **07283200 00** Closed front frame with front plate lid.
- **07423200 00** Closed front frame with front plate lid.

Accessories

- **07000200 00** External Brackets.
- **07000010 00** Card guides (set of 10).
- **07190010 00** Backplane adapter (for 2-part connectors) for 0719 (set of 2).
- **07280010 00** Backplane adapter (for 2-part connectors) for 0728 (set of 2).
- **07420010 00** Backplane adapter (for 2-part connectors) for 0742 (set of 2).
- **07190020 00** Insulation strips for 07190010 00 (set of 2).
- **07280020 00** Insulation strips for 07280010 00 (set of 2).
- **07420020 00** Insulation strips for 07420010 00 (set of 2).

Enclosure without Terminal Chamber, with Front Plate Lid.



Part #	A	B	H	D
07193200 00	148	100	149	258
07283200 00	191	143	149	258
07423200 00	265	217	149	258

Profitronic 19

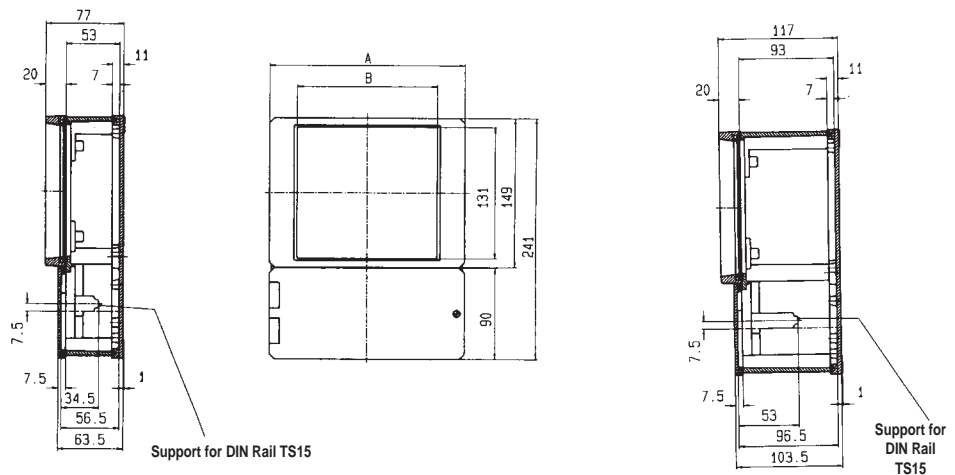
Standard Features

- **07193300 00** With terminal chamber and closed front lid.
- **07283300 00** With terminal chamber and closed front lid.
- **07423300 00** With terminal chamber and closed front lid.
- **07193301 00** With deep terminal chamber and front lid.
- **07283301 00** With deep terminal chamber and front lid.
- **07423301 00** With deep terminal chamber and front lid.

Accessories

- **07000100 00** External Brackets.
- **07000010 00** Card guides (set of 10).
- **07190010 00** Backplane adapter (for 2-part connectors) for 0719 (set of 2).
- **07280010 00** Backplane adapter (for 2-part connectors) for 0728 (set of 2).
- **07420010 00** Backplane adapter (for 2-part connectors) for 0742 (set of 2).
- **07190020 00** Insulation strips for 07190010 00 (set of 2).
- **07280020 00** Insulation strips for 07280010 00 (set of 2).
- **07420020 00** Insulation strips for 07420010 00 (set of 2).

Enclosure with Terminal Chamber and Front Lid.



Part #	A	B	H	D
07193300 00	148	94	241	77
07283300 00	191	137	241	77
07423300 00	265	211	241	77
07193301 00	148	94	241	117
07283301 00	191	137	241	117
07423301 00	265	211	241	117