



ROSE+BOPLA
ENCLOSURES

A PHOENIX MECANO COMPANY

Aluform Watertight Enclosures Product Drawings Last Updated 6/18/2008

Rose+Bopla Enclosures
7330 Executive Way
Frederick, MD 21704
www.rose-bopla.com
rbinfo@pm-usa.com

Dimensional Drawings

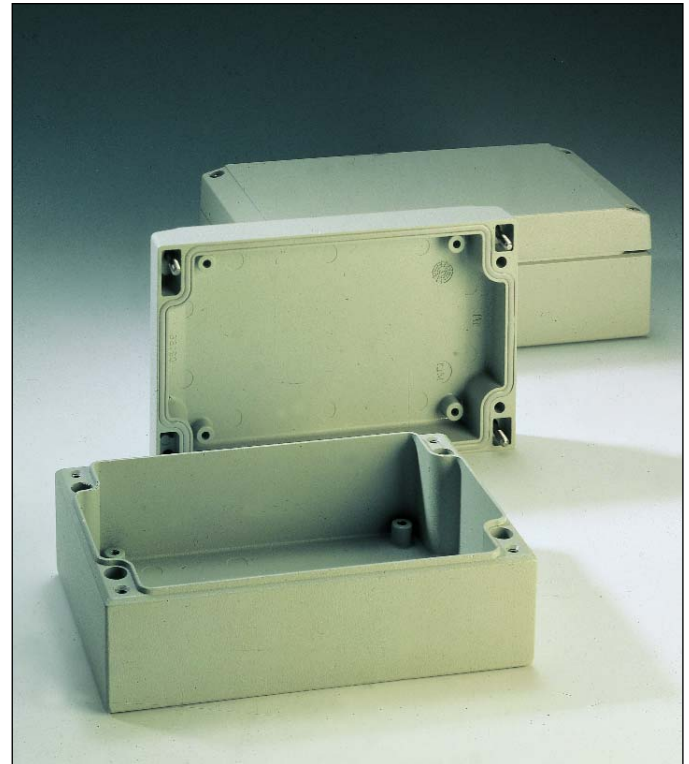
For Secondary Services, Product Support, or To Order, Call 1-301-696-9800

Rose+Bopla's **Aluform Enclosures** are stylish, aluminum die-cast housings specifically designed for rugged electronic instrumentation applications.

Aluform Watertight Enclosures

Aluform enclosures feature an attractive beveled lid and are designed with a lower profile height than Rose+Bopla's standard O1 series housings. Internal mounting bosses in the base and lid provide convenience for component installation. New hinges, and one-piece external brackets are available as options.

An Aluform enclosure includes a powdercoat painted die-cast base and lid, captive stainless steel lid screws and a polyurethane gasket as the standard configuration. The unpainted version comes with a neoprene gasket.



Aluform Watertight Aluminum Enclosures—Painted					
Part Number	Length (Inches/mm)	Width (Inches/mm)	Height (Inches/mm)	Weight	Drawing Page #
04080808 00	3.15 / 80	3.15 / 80	3.19 / 81	0.93 lbs	17-24
04081208 00	4.72 / 120	3.15 / 80	3.19 / 81	1.15 lbs	17-25
04101006 00	3.94 / 100	3.94 / 100	2.40 / 61	1.10 lbs	17-25
04101606 00	3.94 / 100	6.30 / 160	2.40 / 61	1.54 lbs	17-26
04102006 00	3.94 / 100	7.87 / 200	2.40 / 61	1.76 lbs	17-26
04121208 00	4.72 / 120	4.72 / 120	3.19 / 81	1.48 lbs	17-27
04121608 00	4.72 / 120	6.30 / 160	3.19 / 81	1.83 lbs	17-27
04141407 00	5.51 / 140	5.51 / 140	2.80 / 71	1.76 lbs	17-28
04141807 00	8.66 / 220	5.51 / 140	2.80 / 71	1.99 lbs	17-28
04142207 00	8.66 / 220	5.51 / 140	2.80 / 71	2.43 lbs	17-29
04161608 00	6.30 / 160	6.30 / 160	3.19 / 81	2.54 lbs	17-29
04162408 00	9.45 / 240	6.30 / 160	3.19 / 81	3.20 lbs	17-30
04202007 00	7.87 / 200	7.87 / 200	2.80 / 71	2.87 lbs	17-30
04202807 00	7.87 / 200	11.02 / 280	2.80 / 71	3.31 lbs	17-31

Aluform Watertight Aluminum Enclosures—Unpainted					
Part Number	Length (Inches/mm)	Width (Inches/mm)	Height (Inches/mm)	Weight	Drawing Page #
04080808 85	3.15 / 80	3.15 / 80	3.19 / 81	0.93 lbs	17-24
04081208 85	4.72 / 120	3.15 / 80	3.19 / 81	1.15 lbs	17-25
04101006 85	3.94 / 100	3.94 / 100	2.40 / 61	1.10 lbs	17-25
04101606 85	6.30 / 160	3.94 / 100	2.40 / 61	1.54 lbs	17-26
04102006 85	7.87 / 200	3.94 / 100	2.40 / 61	1.76 lbs	17-26
04121208 85	4.72 / 120	4.72 / 120	3.19 / 81	1.48 lbs	17-27
04121608 85	6.30 / 160	4.72 / 120	3.19 / 81	1.83 lbs	17-27
04141407 85	5.51 / 140	5.51 / 140	2.80 / 71	1.76 lbs	17-28
04141807 85	7.09 / 180	5.51 / 140	2.80 / 71	1.99 lbs	17-28
04142207 85	8.66 / 220	5.51 / 140	2.80 / 71	2.43 lbs	17-29
04161608 85	6.30 / 160	6.30 / 160	3.19 / 81	2.54 lbs	17-29
04162408 85	9.45 / 240	6.30 / 160	3.19 / 81	3.20 lbs	17-30
04202007 85	7.87 / 200	7.87 / 200	2.80 / 71	2.87 lbs	17-30
04202807 85	11.02 / 280	7.87 / 200	2.80 / 71	3.31 lbs	17-31

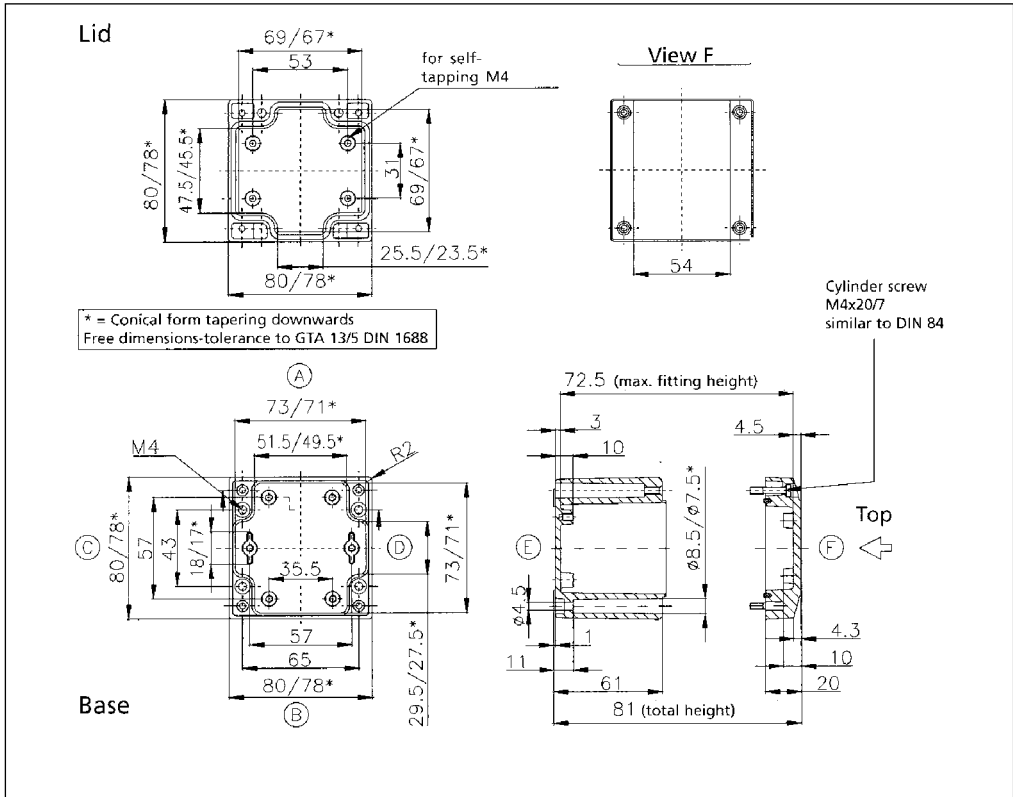
Note: Dimensions are external. Metric is the primary dimension. Inch conversions and weights are for the user's convenience and are for reference only. Accessories shown on drawing page.

TECHNICAL DATA:

- Color: Powdercoated Version—Agate Gray similar to RAL 7038. Special colors are available. See paint specifications in the Technical Information Chapter.
Unpainted Version—Bare Aluminum.
- Material: Aluminum, AL Si 12. See Aluminum specification sheets in the Technical Information Chapter.
- Gasket Temperature Range:
 - Neoprene Gasket −40°F to +212°F
 - Polyurethane Foam Gasket −40°F to +194°F
 - Silicone Gasket −76°F to +266°F
 - RFI Gasket −40°F to +392°F
- Impact Resistance: >7Nm, EN50014
- Approvals: File #66473, UL 50, UL508
- Captive Lid Screws
- Protection Classifications:
 - NEMA Types: up to Nema 4X
 - IP 66, EN 60529



Standard Features
<ul style="list-style-type: none"> • 10093132 00 M4x20 Stainless steel captive combo head lid screws. • 10082003 00 3.3mm Neoprene Gasket for unpainted enclosures (14" length). Polyurethane gasket for painted version.
Accessories
<ul style="list-style-type: none"> • 04000080 00 External Mounting Bars. • 10011060 00 Mounting Plates.

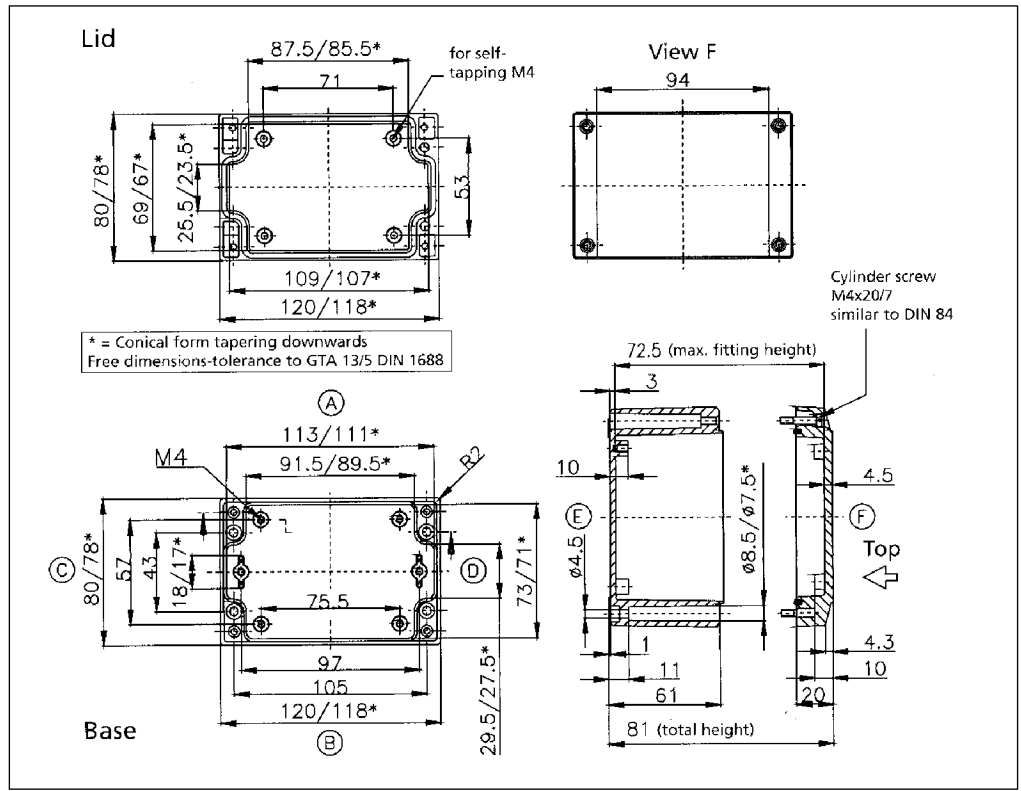




04081208 00/85

External Dimensions: L 80 x W 120 x H 81 mm

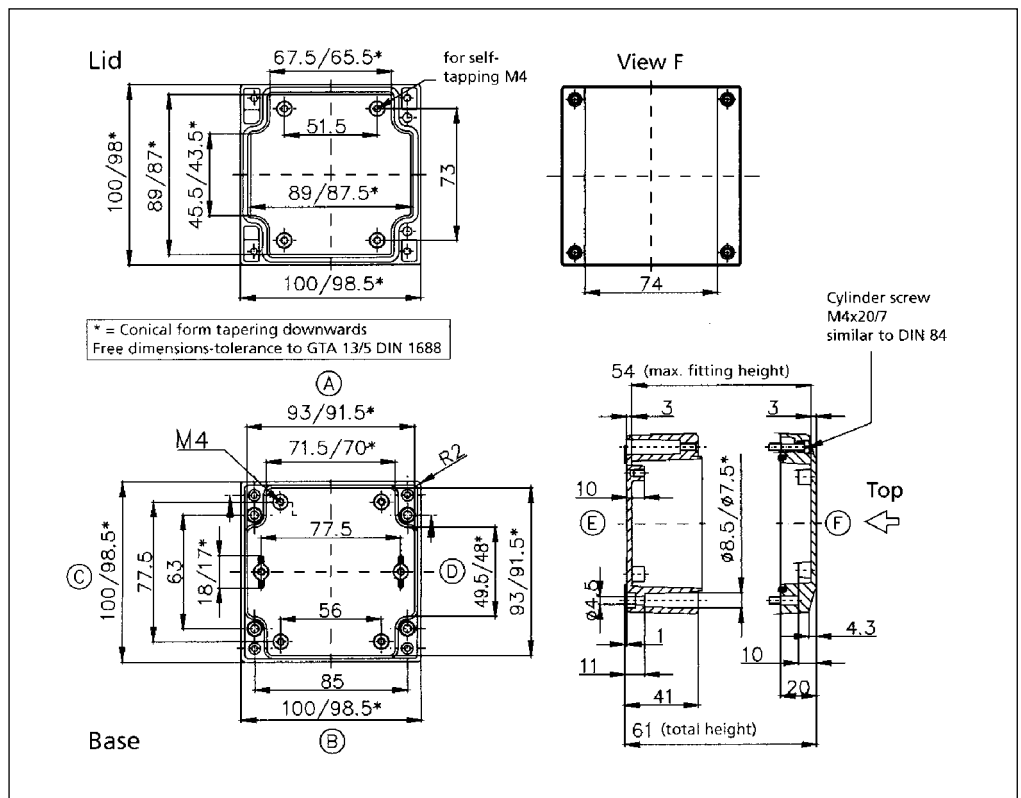
Standard Features
<ul style="list-style-type: none"> • 10093132 00 M4x20 Stainless steel captive combo head lid screws. • 10082003 00 3.3mm Neoprene Gasket for unpainted enclosures (20" length). Polyurethane gasket for painted version.
Accessories
<ul style="list-style-type: none"> • 04000080 00 External Mounting Bars. • 10011061 00 Mounting Plates. • 04000100 00 External Mounting Brackets. • 04000010 85 Unpainted External Hinges. • 04000010 00 Painted External Hinges. • 10082013 00 3.3mm Silicone gasket. • 10082022 00 3mm RFI gasket.



04101006 00/85

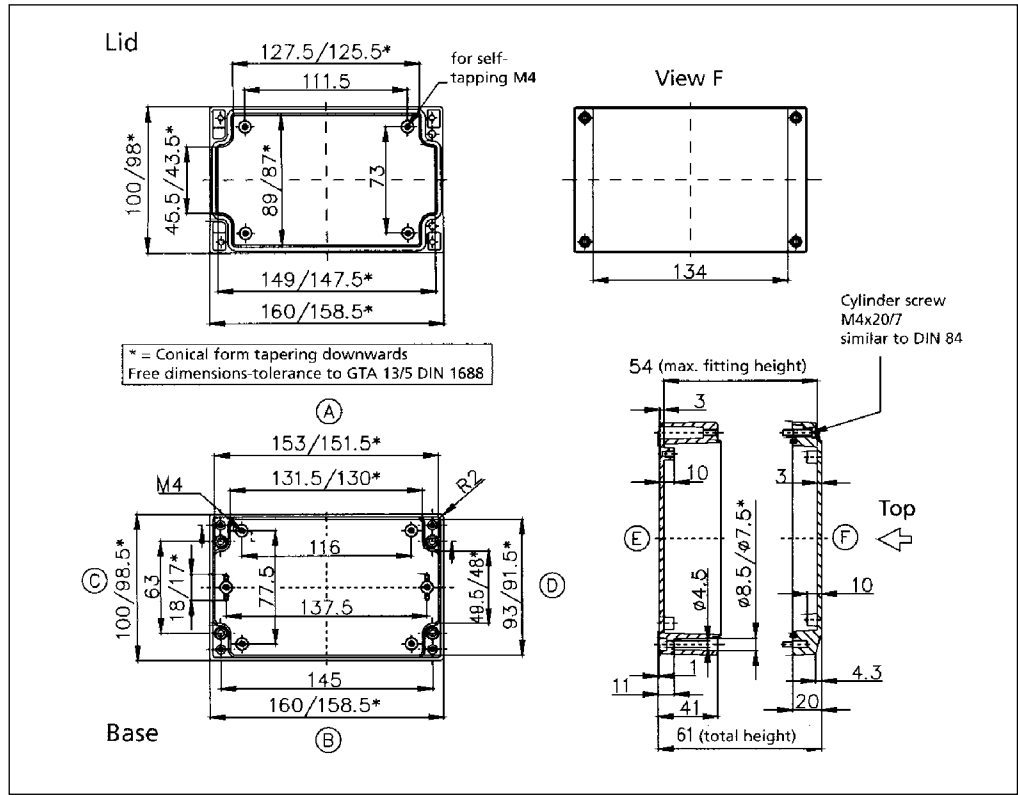
External Dimensions: L 100 x W 100 x H 61 mm

Standard Features
<ul style="list-style-type: none"> • 10093132 00 M4x20 Stainless steel captive combo head lid screws. • 10082003 00 3.3mm Neoprene Gasket for unpainted enclosures (14" length). Polyurethane gasket for painted version.
Accessories
<ul style="list-style-type: none"> • 10011031 00 Mounting Plates. • 10061041 00 Terminal Rail (TS 15). • 10061471 00 Terminal Rail (TS 35). • 04000100 00 External Mounting Brackets. • 04000010 85 Unpainted External Hinges. • 04000010 00 Painted External Hinges. • 10082013 00 3.3mm Silicone gasket. • 10082022 00 3mm RFI gasket. • 0430009 00 Enclosure holder 98mm wide.

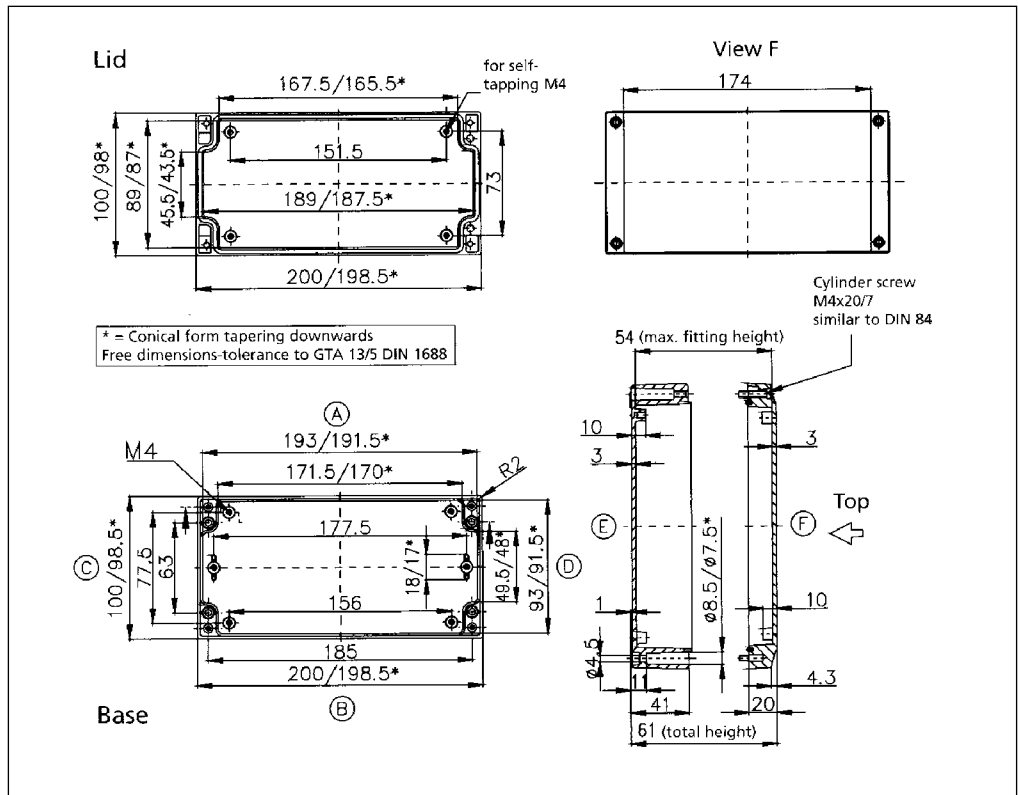


Dimensional Drawings

Standard Features
<ul style="list-style-type: none"> • 10093132 00 M4x20 Stainless steel captive combo head lid screws. • 10082003 00 3.3mm Neoprene Gasket for unpainted enclosures (20" length). Polyurethane gasket for painted version.
Accessories
<ul style="list-style-type: none"> • 10011032 00 Mounting Plates. • 10061042 00 Terminal Rail (TS 15). • 10061472 00 Terminal Rail (TS 35). • 04000100 00 External Mounting Brackets. • 04000010 85 Unpainted External Hinges. • 04000010 00 Painted External Hinges. • 10082013 00 3.3mm Silicone gasket. • 10082022 00 3mm RFI gasket. • 04300009 00 Enclosure holder 98mm wide.



Standard Features
<ul style="list-style-type: none"> • 10093132 00 M4x20 Stainless steel captive combo head lid screws. • 10082003 00 3.3mm Neoprene Gasket for unpainted enclosures (22" length). Polyurethane gasket for painted version.
Accessories
<ul style="list-style-type: none"> • 10011033 00 Mounting Plates. • 10061043 00 Terminal Rail (TS 15). • 10061473 00 Terminal Rail (TS 35). • 04000100 00 External Mounting Brackets. • 04000010 85 Unpainted External Hinges. • 04000010 00 Painted External Hinges. • 10082013 00 3.3mm Silicone gasket. • 10082022 00 3mm RFI gasket. • 04300009 00 Enclosure holder 98mm wide.

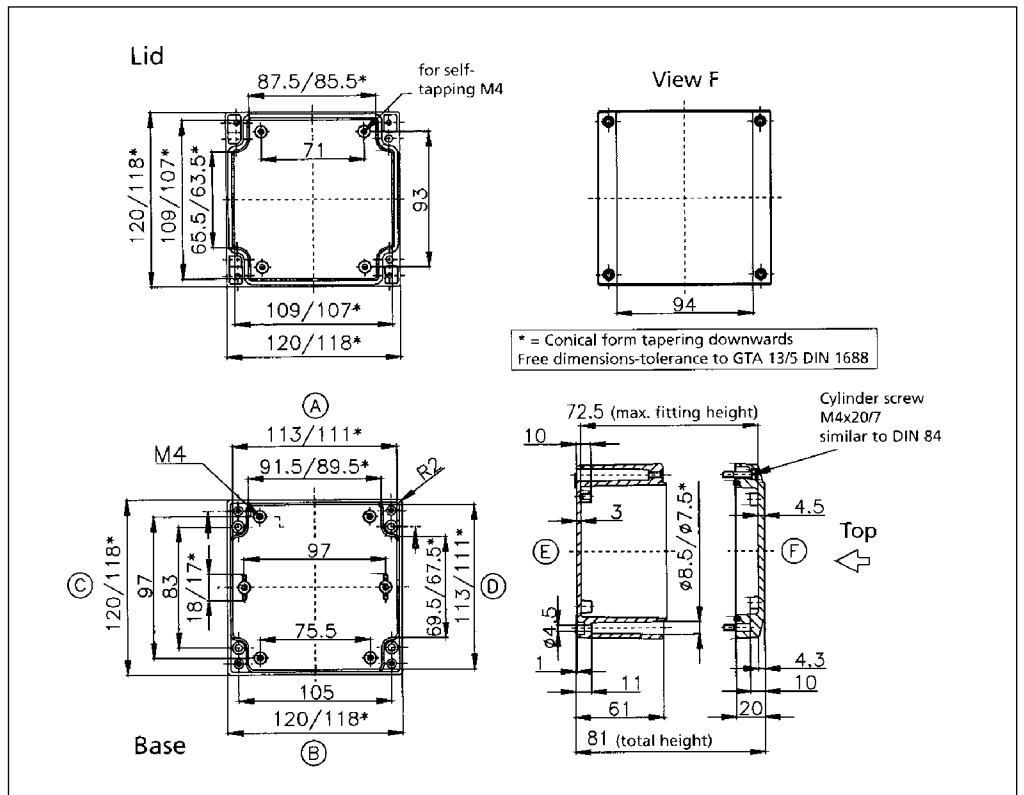




04121208 00/85

External Dimensions: L 120 x W 160 x H 81 mm

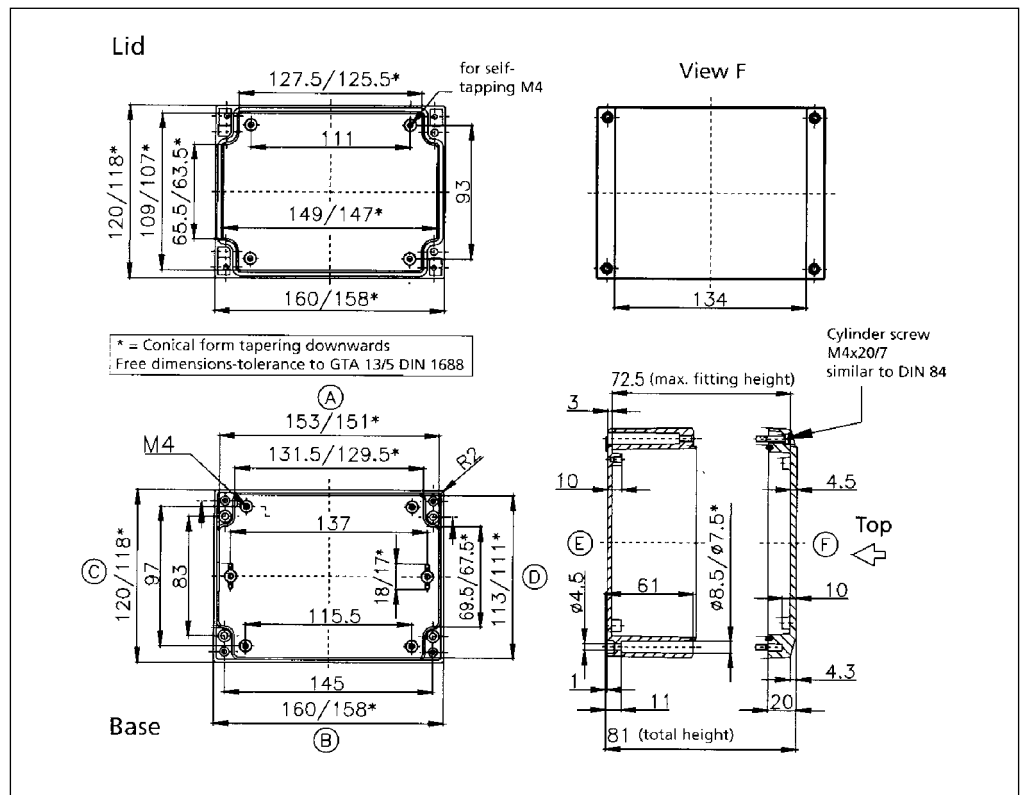
Standard Features
<ul style="list-style-type: none"> • 10093132 00 M4x20 Stainless steel captive combo head lid screws. • 10082003 00 3.3mm Neoprene Gasket for unpainted enclosures (20" length). Polyurethane gasket for painted version.
Accessories
<ul style="list-style-type: none"> • 04000120 00 External Mounting Bars • 10011062 00 Mounting Plates • 04000010 85 Unpainted External Hinges. • 04000010 00 Painted External Hinges. • 10082013 00 3.3mm Silicone gasket. • 10082022 00 3mm RFI gasket.



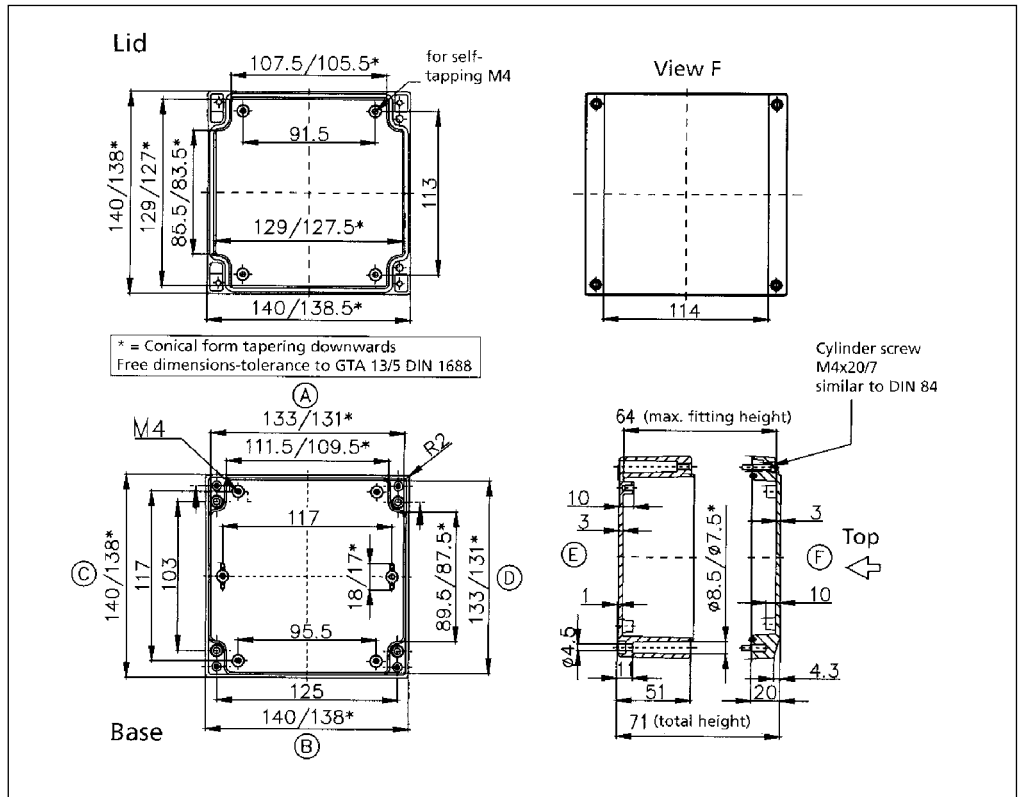
04121608 00/85

External Dimensions: L 120 x W 160 x H 81 mm

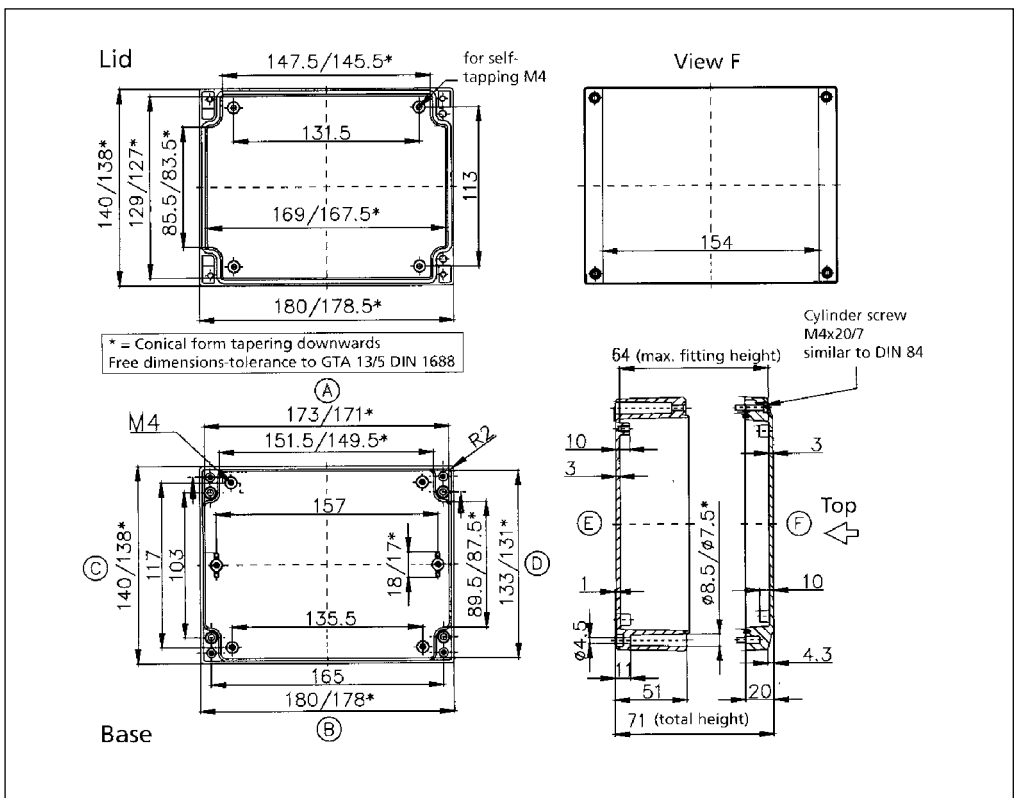
Standard Features
<ul style="list-style-type: none"> • 10093132 00 M4x20 Stainless steel captive combo head lid screws. • 10082003 00 3.3mm Neoprene Gasket for unpainted enclosures (20" length). Polyurethane gasket for painted version.
Accessories
<ul style="list-style-type: none"> • 04000120 00 External Mounting Bars. • 10011063 00 Mounting Plates. • 04000010 85 Unpainted External Hinges. • 04000010 00 Painted External Hinges. • 10082013 00 3.3mm Silicone gasket. • 10082022 00 3mm RFI gasket.



Standard Features
<ul style="list-style-type: none"> • 10093132 00 M4x20 Stainless steel captive combo head lid screws. • 10082003 00 3.3mm Neoprene Gasket for unpainted enclosures (20" length). Polyurethane gasket for painted version.
Accessories
<ul style="list-style-type: none"> • 10011034 00 Mounting Plates. • 10061044 00 Terminal Rail (TS 15). • 10061474 00 Terminal Rail (TS 35). • 04000140 00 External Mounting Brackets. • 04000010 85 Unpainted External Hinges. • 04000010 00 Painted External Hinges. • 10082013 00 3.3mm Silicone gasket. • 10082022 00 3mm RFI gasket. • 04300014 00 Enclosure holder 138mm wide.



Standard Features
<ul style="list-style-type: none"> • 10093132 00 M4x20 Stainless steel captive combo head lid screws. • 10082003 00 3.3mm Neoprene Gasket for unpainted enclosures (24" length). Polyurethane gasket for painted version.
Accessories
<ul style="list-style-type: none"> • 10011035 00 Mounting Plates. • 10061045 00 Terminal Rail (TS 15). • 10061475 00 Terminal Rail (TS 35). • 04000140 00 External Mounting Brackets. • 04000010 85 Unpainted External Hinges. • 04000010 00 Painted External Hinges. • 10082013 00 3.3mm Silicone gasket. • 10082022 00 3mm RFI gasket. • 04300014 00 Enclosure holder 138mm wide.



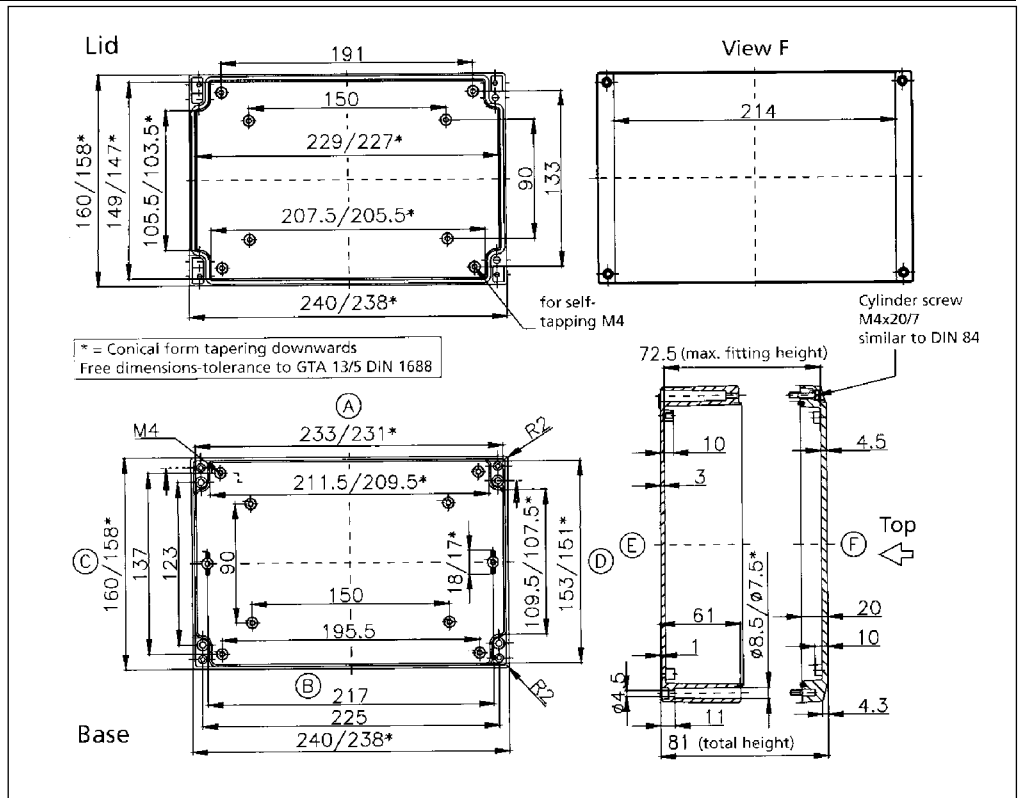
Aluform

04162408 00/85

External Dimensions: L160 x W240 x H81 mm

Page 1-7

Standard Features
<ul style="list-style-type: none"> • 10093132 00 M4x20 Stainless steel captive combo head lid screws. • 10082003 00 3.3mm Neoprene Gasket for unpainted enclosures (28" length). Polyurethane gasket for painted version.
Accessories
<ul style="list-style-type: none"> • 04000120 00 External Mounting Bars. • 10011065 00 Mounting Plates. • 04000010 85 Unpainted External Hinges. • 04000010 00 Painted External Hinges. • 10082013 00 3.3mm Silicone gasket. • 10082022 00 3mm RFI gasket.

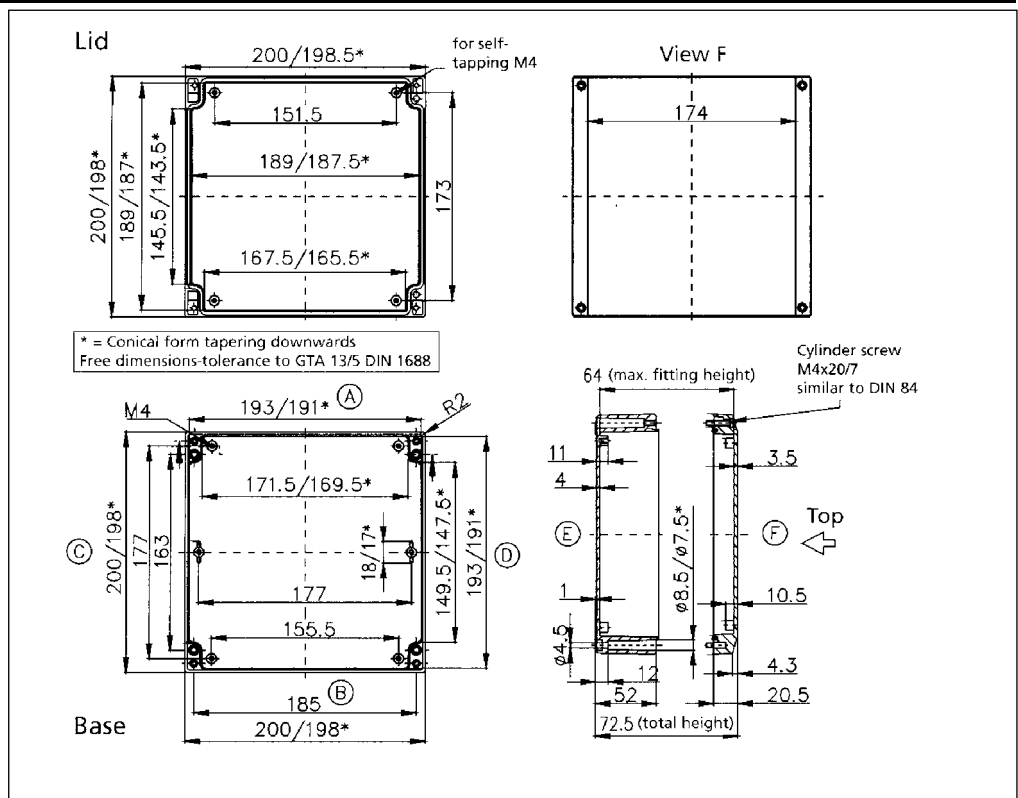


04202007 00/85

External Dimensions: L200 x W200 x H71 mm

Page 1-7

Standard Features
<ul style="list-style-type: none"> • 10093132 00 M4x20 Stainless steel captive combo head lid screws. • 10082003 00 3.3mm Neoprene Gasket for unpainted enclosures (30" length). Polyurethane gasket for painted version.
Accessories
<ul style="list-style-type: none"> • 10011037 00 Mounting Plates. • 10061043 00 Terminal Rail (TS 15). • 10061473 00 Terminal Rail (TS 35). • 04000200 00 External Mounting Brackets. • 04000010 85 Unpainted External Hinges. • 04000010 00 Painted External Hinges. • 10082013 00 3.3mm Silicone gasket. • 10082022 00 3mm RFI gasket.





04202807 00/85

External Dimensions: L280 x W200 x H71 mm

Page 1-7

Standard Features
<ul style="list-style-type: none"> • 10093132 00 M4x20 Stainless steel captive combo head lid screws. • 10082003 00 3.3mm Neoprene Gasket for unpainted enclosures (33" length). Polyurethane gasket for painted version.
Accessories
<ul style="list-style-type: none"> • 10011059 00 Mounting Plates. • 10061048 00 Terminal Rail (TS 15). • 10061481 00 Terminal Rail (TS 35). • 04000200 00 External Mounting Brackets. • 04000010 85 Unpainted External Hinges. • 04000010 00 Painted External Hinges. • 10082013 00 3.3mm Silicone gasket. • 10082022 00 3mm RFI gasket.

