



**ROSE+BOPLA**  
ENCLOSURES

A PHOENIX MECANO COMPANY

# Aluminum Watertight 01 Flange Product Drawings Last Updated 3/26/2008

Rose+Bopla Enclosures  
7330 Executive Way  
Frederick, MD 21701  
[www.rose-bopla.com](http://www.rose-bopla.com)  
[rbinfo@pm-usa.com](mailto:rbinfo@pm-usa.com)

*Dimensional Drawings*

*For Secondary Services, Product Support, or To Order, Call 1-301-696-9800*



**Painted or Unpainted Versions:** These enclosures are available in painted and unpainted versions and are designed for applications where quick mounting in the field is required. The enclosure

## Aluminum Watertight 01 Flange

lid does *not* have to be removed during installation.

The painted version includes a powdercoat painted die-cast aluminum base and lid, captive stainless steel lid screws, copper ground screws and a non-removable polyurethane gasket. The unpainted version is bare aluminum and has a standard removable neoprene gasket.

Silicone or RFI gaskets are available as an option to the unpainted version and will replace the standard neoprene gasket.

### TECHNICAL DATA:

- Color: Powdercoated Version—Silver Gray similar to RAL 7001. Special colors are available. See paint specifications in the Technical Information Chapter.  
Unpainted Version—Bare Aluminum.
- Material: Aluminum, AL Si 12. See Aluminum specifications in the Technical Information Chapter.
- Gasket Temperature Range:
  - Neoprene Gasket            −40° F to +212° F
  - Polyurethane Foam Gasket   −40° F to +194° F
  - Silicone Gasket             −76° F to +266° F
  - RFI Gasket                  −40° F to +392° F
- Impact Resistance: >7Nm, EN50014
- Approvals:
  - File # E206630, UL 50, UL 508
  - CSA approved
- Captive Stainless Steel Lid Screws.
- Internal mounting plates are not available for this enclosure.
- Protection Classifications:
  - NEMA Types: Up to NEMA 4X
  - IP 66, EN 60529

Aluminum Watertight 01 With Integral Flange—Painted					
Part Number	Length (Inches/mm)	Width (Inches/mm)	Height (Inches/mm)	Weight	Drawing Page #
01061200 00	4.53 / 115	2.52 / 64	1.34 / 34	.50 lbs	17-23
01061900 00	7.28 / 185	2.52 / 64	1.34 / 34	.70 lbs	17-24

Aluminum Watertight 01 With Integral Flange—Unpainted					
Part Number	Length (Inches/mm)	Width (Inches/mm)	Height (Inches/mm)	Weight	Drawing Page #
01061200 85	4.53 / 115	2.52 / 64	1.34 / 34	.50 lbs	17-23
01061900 85	7.28 / 185	2.52 / 64	1.34 / 34	.70 lbs	17-24

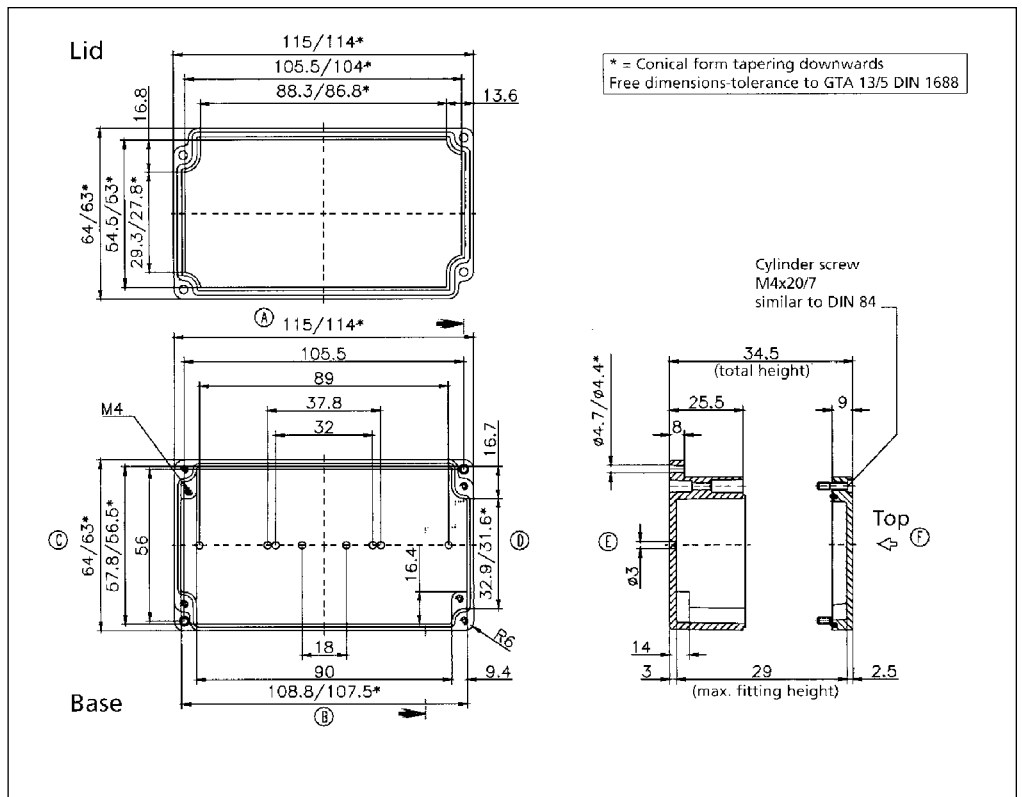
Note: Dimensions are external. Metric is the primary dimension. Inch conversions and weights are for the user's convenience and are for reference only. Accessories shown on drawing page.

01061200 00/85

External Dimensions: L 115 x W 64 x H 34 mm

Page 1-6

Standard Features
<ul style="list-style-type: none"> <li>• 10093132 00 M4x20 Stainless steel captive combo head lid screws.</li> <li>• 10093116 00 M4x7 Copper ground screws.</li> <li>• 10082003 00 Removable 3mm Neoprene Gasket for unpainted enclosures (12.63" length). Non-Removable Polyurethane gasket for painted version.</li> </ul>
Accessories
<ul style="list-style-type: none"> <li>• 10093091 00 Allen head lid screws.</li> <li>• 10082013 00 3mm Silicone gasket.</li> <li>• 10082022 00 3mm RFI Gasket (12.63" length).</li> </ul>



# Aluminum Flange

01061900 00/85

External Dimensions: L 185 x W 64 x H 34 mm

Page 1-6

Standard Features
<ul style="list-style-type: none"> <li>• 10093132 00 M4x20 Stainless steel captive combo head lid screws.</li> <li>• 10093116 00 M4x7 Copper ground screws.</li> <li>• 10082003 00 Removable 3.3mm Neoprene Gasket for unpainted enclosures (18.12" length). Non-Removable Polyurethane gasket for painted version.</li> </ul>
Accessories
<ul style="list-style-type: none"> <li>• 10093091 00 Allen head lid screws.</li> <li>• 10082013 00 3.3mm Silicone gasket.</li> <li>• 10082022 00 3mm RFI Gasket (18.12" length).</li> </ul>

