



ROSE+BOPLA
ENCLOSURES

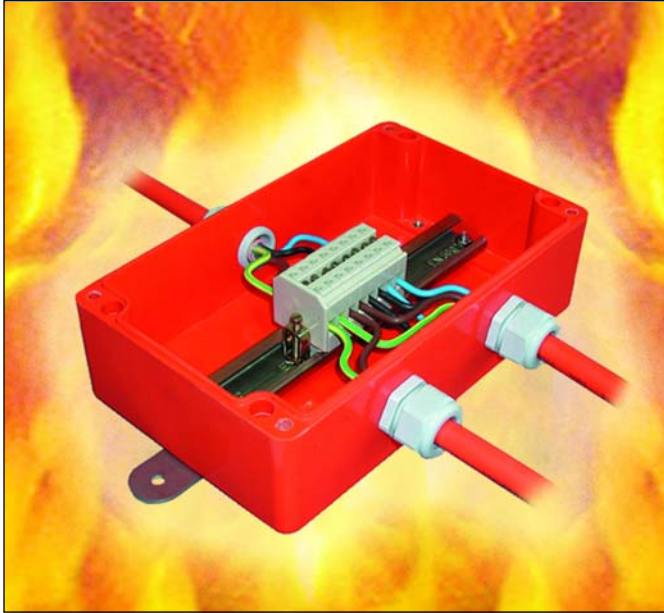
A PHOENIX MECANO COMPANY

E-30 High Temp Enclosures Product Drawings Last Updated 1/6/2006

Rose+Bopla Enclosures
7330 Executive Way
Frederick, MD 21704
301-696-9800
www.rose-bopla.com
customerservice@rose-bopla.com

Dimensional Drawings

For Secondary Services, Product Support, or To Order, Call 1-301-696-9800



TECHNICAL DATA:

- Material: Halogen free Polyester
- Color: Orange
- Ingress Protection: IP 66, DIN 4102, NEMA 4
- Gasket: Neoprene
- Temperature Resistance: 840°C / 1544°F
- Stainless Steel Captive Lid Screws
- Surface Resistance: >10¹¹ Ohm to DIN 53482
- Toxicity: Halogen free
- Approvals: UL File #E70241



One of the most important factors in public building design is preventive fire protection. Safety equipment, like escape route lighting and ventilation equipment, ensures occupant survival rates.



The robust E-30 high temperature enclosure complies with all requirements for the fire certification in accordance with DIN 4102 part 12, and provides ingress protection up to IP 66. This level of

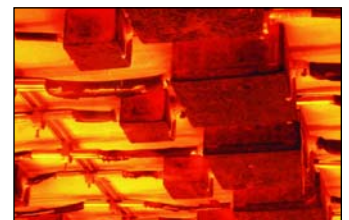
E-30 High Temp Enclosures

compliance permits use in safety-related applications, from emergency exit route lighting in staircases or underground garages to ventilation systems in tunnels through mountains or beneath rivers and lakes. The distinctive bright orange E-30 enclosure is made of a special halogen-free polyester material. This material ensures that they meet the requirements for minimum smoke development and prevention of corrosive toxic gas production. High temperature ceramic feed-through terminals, cable glands or conduit hubs, conforming to VDE requirements, are also available to fit your design specifications. A special stainless steel supporting frame for the terminal rails offers secure mounting of terminals and cables, even under the influence of extreme heat.

In short, with E-30 junction boxes, emergency systems stay connected longer during catastrophic situations, making them more survivable. The E-30 enclosure can be an integral part of your next safety project.

E-30 High Temp Enclosures					
Part Number	Length Inches/mm	Width Inches/mm	Height Inches/mm	Weight Inches/mm	Drawing Page #
E30122209	8.66 / 220	4.72 / 120	3.54 / 90	2.33 lbs.	17-49
E30161609	6.29 / 160	6.29 / 160	3.54 / 90	2.59 lbs.	17-50
E30162609	10.23 / 260	6.29 / 160	3.54 / 90	3.76 lbs.	17-51
E30252612	10.23 / 260	9.84 / 250	4.72 / 120	5.84 lbs.	17-52

Note: Dimensions are external. Metric is the primary dimension. Inch conversions and weights are for the user's convenience and are for reference only. Accessories shown on drawing page.



The E-30 is tested to ensure continued functionality at temperatures reaching 1544°F for 30 minutes.



E-30 High Temp Enclosures

E30122209 00

External Dimensions: L 220 x W 120 x H 90 mm

Page 1-14

Standard Features

- **E30122209 00** Enclosure with stainless steel external bracket and Terminal rail (TS 35).

Accessories

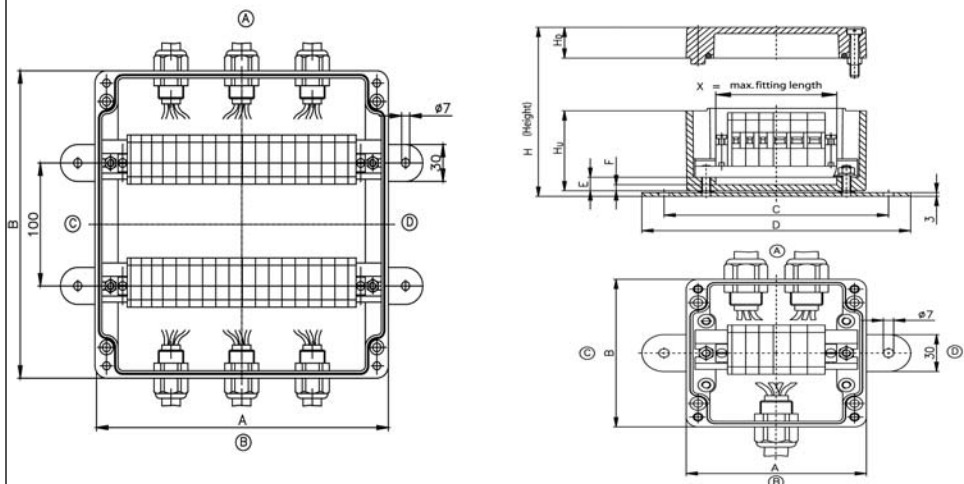
- **E30000104 00** SAKK4-Ceramic Terminal Block 0.5 to 6mm² (solid) 0.5 to 4mm² (stranded). 18 AWG to 8 AWG (stranded).
- **E30000116 00** SAKK10-Ceramic terminal block 2.5 to 16mm² (solid) 2.5 to 10mm² (stranded). 18 AWG to 8 AWG (stranded).
- **E30000191 00** AP/SAKK4/10-Cover.
- **E30000192 00** QL 2/SAKK4-Bridge, 2-pole for SAKK4
- **E30000193 00** QL 3/SAKK4-Bridge, 3-pole for SAKK4
- **E30000194 00** QL 4/SAKK4-Bridge, 4-pole for SAKK4
- **E30000196 00** QL2/SAKK10-Bridge, 2-pole for SAKK10.
- **E30000197 00** QL 3/SAKK10-Bridge, 3-pole for SAKK10.
- **E30000198 00** QL4/SAKK10-Bridge, 4-pole for SAKK10
- **E30000201 00** EW1 End Bracket
- **08080512 00** M12x1.5 Cable Connection, sealing range 3-7mm.
- **08080516 00** M16x1.5 Cable Connection, sealing range 5-10mm.
- **08080520 00** M20x1.5 Cable Connection, sealing range 8x13mm.
- **08080525 00** M25x1.5 Cable Connection, sealing range 11-17mm.
- **08080532 00** M32x1.5 Cable Connection, sealing range 15-21mm.
- **08080540 00** M40x1.5 Cable Connection, sealing range 19-28mm.

Max. Cable Grips		
M	A/B	C/D
12	27	8
16	20	6
20	14	4
25	5	2
32	3	1
40	3	1
Max. Terminals		
SAKK4	SAKK10	
18 pcs	12 pcs	

Max. number of cable glands to DIN 50262

Type	Width Inches/mm	Length Inches/mm	Height Inches/mm	A Inches/mm	B Inches/mm	C Inches/mm	D Inches/mm
E30122209 00	4.72/120	8.66/220	3.54/90	8.66/220	4.72/120	9.84/250	11.02/280
E30161609 00	6.29/160	6.29/160	3.54/90	6.26/160	6.29/160	7.44/189	8.62/219
E30162609 00	6.29/160	10.23/260	3.54/90	10.23/260	6.29/160	11.24/285	12.40/315
E30252612 00	9.84/250	10.23/260	4.42/120	10.03/255	9.84/250	11.24/285	12.40/315

Type	E Inches/mm	F Inches/mm	X Inches/mm	H _U Inches/mm	H _D Inches/mm	H _{Height} Inches/mm
E30122209 00	0.43/11	0.19/5	7.08/180	2.59/66	0.98/25	3.58/91
E30161609 00	0.45/11.5	0.23/6	4.72/120	2.79/71	0.78/20	3.58/91
E30162609 00	0.45/11.5	0.23/6	8.66/220	2.79/71	0.78/20	3.58/91
E30252612 00	0.45/11.5	0.23/6	8.46/215	3.77/96	0.98/25	4.76/121



Admissible connection allowed: Supply lines (18 AWG to 8 AWG stranded) designation from almost all leading manufacturers.

Dimensional Drawings

E-30 High Temp Enclosures

E30161609 00

External Dimensions: L 160 x W 160 x H 90 mm

Page 1-14

Standard Features

- **E30161609 00** Enclosure with stainless steel external bracket and Terminal rail (TS 35).

Accessories

- **E30000104 00** SAKK4-Ceramic Terminal Block 0.5 to 6mm² (solid) 0.5 to 4mm² (stranded). 18 AWG to 8 AWG (stranded).
- **E30000116 00** SAKK10-Ceramic terminal block 2.5 to 16mm² (solid) 2.5 to 10mm² (stranded). 18 AWG to 8 AWG (stranded).
- **E30000191 00** AP/SAKK4/10-Cover.
- **E30000192 00** QL 2/SAKK4-Bridge, 2-pole for SAKK4
- **E30000193 00** QL 3/SAKK4-Bridge, 3-pole for SAKK4
- **E30000194 00** QL 4/SAKK4-Bridge, 4-pole for SAKK4
- **E30000196 00** QL2/SAKK10-Bridge, 2-pole for SAKK10.
- **E30000197 00** QL 3/SAKK10-Bridge, 3-pole for SAKK10.
- **E30000198 00** QL4/SAKK10-Bridge, 4-pole for SAKK10
- **E30000201 00** EW1 End Bracket
- **08080512 00** M12x1.5 Cable Connection, sealing range 3-7mm.
- **08080516 00** M16x1.5 Cable Connection, sealing range 5-10mm.
- **08080520 00** M20x1.5 Cable Connection, sealing range 8x13mm.
- **08080525 00** M25x1.5 Cable Connection, sealing range 11-17mm.
- **08080532 00** M32x1.5 Cable Connection, sealing range 15-21mm.
- **08080540 00** M40x1.5 Cable Connection, sealing range 19-28mm.

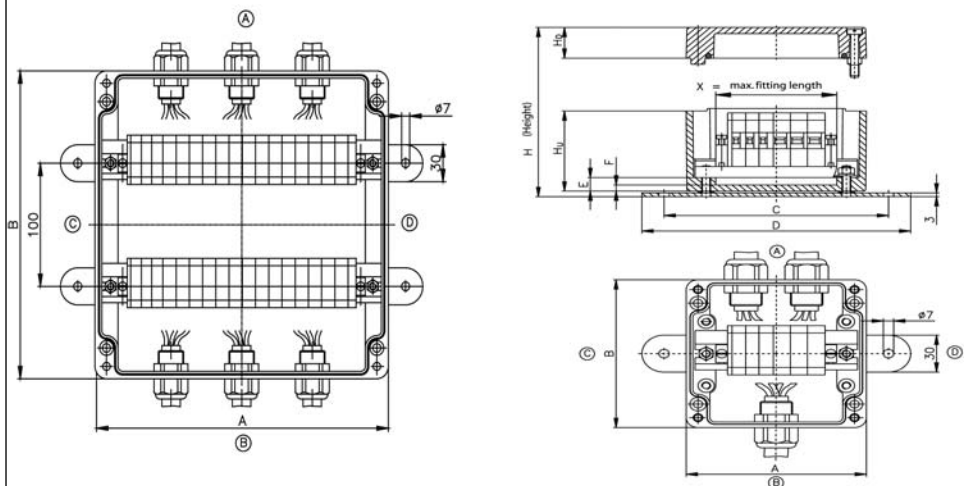
Type	Width Inches/mm	Length Inches/mm	Height Inches/mm	A Inches/mm	B Inches/mm	C Inches/mm	D Inches/mm
E30122209 00	4.72/120	8.66/220	3.54/90	8.66/220	4.72/120	9.84/250	11.02/280
E30161609 00	6.29/160	6.29/160	3.54/90	6.26/160	6.26/160	7.44/189	8.62/219
E30162609 00	6.29/160	10.23/260	3.54/90	10.23/260	6.29/160	11.24/285	12.40/315
E30252612 00	9.84/250	10.23/260	4.42/120	10.03/255	9.84/250	11.24/285	12.40/315

Type	E Inches/mm	F Inches/mm	X Inches/mm	H _U Inches/mm	H _D Inches/mm	H _{Height} Inches/mm
E30122209 00	0.43/11	0.19/5	7.08/180	2.59/66	0.98/25	3.58/91
E30161609 00	0.45/11.5	0.23/6	4.72/120	2.79/71	0.78/20	3.58/91
E30162609 00	0.45/11.5	0.23/6	8.66/220	2.79/71	0.78/20	3.58/91
E30252612 00	0.45/11.5	0.23/6	8.46/215	3.77/96	0.98/25	4.76/121

Max. Cable Grips		
M	A/B	C/D
12	18	12
16	15	8
20	10	6
25	4	2
32	2	2
40	2	1

Max. Terminals	
SAKK4	SAKK10
18 pcs	8 pcs

Max. number of cable glands to DIN 50262



Admissible connection allowed: Supply lines (18 AWG to 8 AWG stranded) designation from almost all leading manufacturers.



E30162609 00

External Dimensions: L 260 x W 150 x H 90 mm

Standard Features

- **E30162609 00** Enclosure with stainless steel external bracket and Terminal rail (TS 35).

Accessories

- **E30000104 00** SAKK4-Ceramic Terminal Block 0.5 to 6mm² (solid) 0.5 to 4mm² (stranded). 18 AWG to 8 AWG (stranded).
- **E30000116 00** SAKK10-Ceramic terminal block 2.5 to 16mm² (solid) 2.5 to 10mm² (stranded). 18 AWG to 8 AWG (stranded).
- **E30000191 00** AP/SAKK4/10-Cover.
- **E30000192 00** QL 2/SAKK4-Bridge, 2-pole for SAKK4
- **E30000193 00** QL 3/SAKK4-Bridge, 3-pole for SAKK4
- **E30000194 00** QL 4/SAKK4-Bridge, 4-pole for SAKK4
- **E30000196 00** QL2/SAKK10-Bridge, 2-pole for SAKK10.
- **E30000197 00** QL 3/SAKK10-Bridge, 3-pole for SAKK10.
- **E30000198 00** QL4/SAKK10-Bridge, 4-pole for SAKK10
- **E30000201 00** EW1 End Bracket
- **08080512 00** M12x1.5 Cable Connection, sealing range 3-7mm.
- **08080516 00** M16x1.5 Cable Connection, sealing range 5-10mm.
- **08080520 00** M20x1.5 Cable Connection, sealing range 8x13mm.
- **08080525 00** M25x1.5 Cable Connection, sealing range 11-17mm.
- **08080532 00** M32x1.5 Cable Connection, sealing range 15-21mm.
- **08080540 00** M40x1.5 Cable Connection, sealing range 19-28mm.

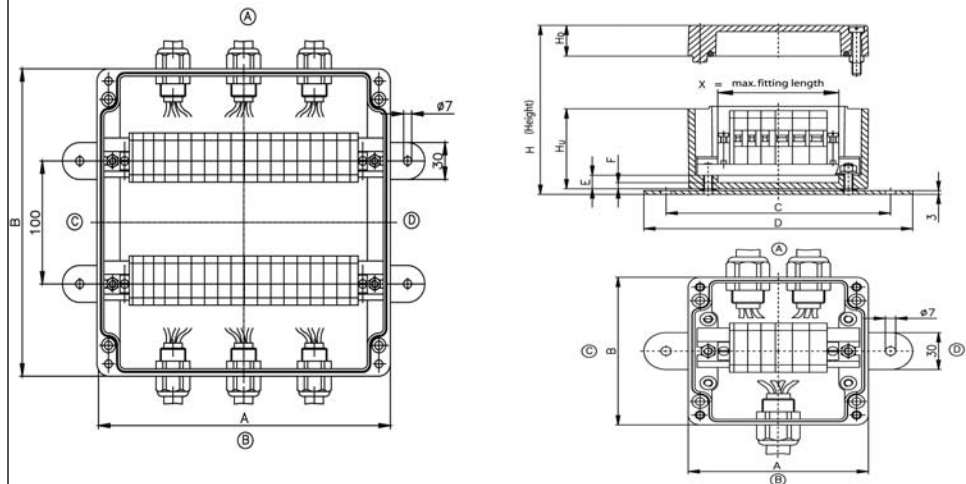
Type	Width Inches/mm	Length Inches/mm	Height Inches/mm	A Inches/mm	B Inches/mm	C Inches/mm	D Inches/mm
E30122209 00	4.72/120	8.66/220	3.54/90	8.66/220	4.72/120	9.84/250	11.02/280
E30161609 00	6.29/160	6.29/160	3.54/90	6.26/160	6.26/160	7.44/189	8.62/219
E30162609 00	6.29/160	10.23/260	3.54/90	10.23/260	6.29/160	11.24/285	12.40/315
E30252612 00	9.84/250	10.23/260	4.42/120	10.03/255	9.84/250	11.24/285	12.40/315

Type	E Inches/mm	F Inches/mm	X Inches/mm	H _U Inches/mm	H _D Inches/mm	H _{Height} Inches/mm
E30122209 00	0.43/11	0.19/5	7.08/180	2.59/66	0.98/25	3.58/91
E30161609 00	0.45/11.5	0.23/6	4.72/120	2.79/71	0.78/20	3.58/91
E30162609 00	0.45/11.5	0.23/6	8.66/220	2.79/71	0.78/20	3.58/91
E30252612 00	0.45/11.5	0.23/6	8.46/215	3.77/96	0.98/25	4.76/121

Max. Cable Grips		
M	A/B	C/D
12	36	12
16	30	8
20	18	6
25	7	2
32	4	2
40	3	1

Max. Terminals	
SAKK4	SAKK10
23 pcs	16 pcs

Max. number of cable glands to DIN 50262



Admissible connection allowed: Supply lines (18 AWG to 8 AWG stranded) designation from almost all leading manufacturers.

E-30 High Temp Enclosures

- Standard Features**
- **E30252612 00** Enclosure with stainless steel external bracket and Terminal rail (TS 35).
- Accessories**
- **E30000104 00** SAKK4-Ceramic Terminal Block 0.5 to 6mm² (solid) 0.5 to 4mm² (stranded). 18 AWG to 8 AWG (stranded).
 - **E30000116 00** SAKK10-Ceramic terminal block 2.5 to 16mm² (solid) 2.5 to 10mm² (stranded). 18 AWG to 8 AWG (stranded).
 - **E30000191 00** AP/SAKK4/10-Cover.
 - **E30000192 00** QL 2/SAKK4-Bridge, 2-pole for SAKK4
 - **E30000193 00** QL 3/SAKK4-Bridge, 3-pole for SAKK4
 - **E30000194 00** QL 4/SAKK4-Bridge, 4-pole for SAKK4
 - **E30000196 00** QL2/SAKK10-Bridge, 2-pole for SAKK10.
 - **E30000197 00** QL 3/SAKK10-Bridge, 3-pole for SAKK10.
 - **E30000198 00** QL4/SAKK10-Bridge, 4-pole for SAK10
 - **E30000201 00** EW1 End Bracket
 - **08080512 00** M12x1.5 Cable Connection, sealing range 3-7mm.
 - **08080516 00** M16x1.5 Cable Connection, sealing range 5-10mm.
 - **08080520 00** M20x1.5 Cable Connection, sealing range 8x13mm.
 - **08080525 00** M25x1.5 Cable Connection, sealing range 11-17mm.
 - **08080532 00** M32x1.5 Cable Connection, sealing range 15-21mm.
 - **08080540 00** M40x1.5 Cable Connection, sealing range 19-28mm.

Type	Width Inches/mm	Length Inches/mm	Height Inches/mm	A Inches/mm	B Inches/mm	C Inches/mm	D Inches/mm
E30122209 00	4.72/120	8.66/220	3.54/90	8.66/220	4.72/120	9.84/250	11.02/280
E30161609 00	6.29/160	6.29/160	3.54/90	6.26/160	6.26/160	7.44/189	8.62/219
E30162609 00	6.29/160	10.23/260	3.54/90	10.23/260	6.29/160	11.24/285	12.40/315
E30252612 00	9.84/250	10.23/260	4.42/120	10.03/255	9.84/250	11.24/285	12.40/315

Type	E Inches/mm	F Inches/mm	X Inches/mm	H _U Inches/mm	H _D Inches/mm	H _{Height} Inches/mm
E30122209 00	0.43/11	0.19/5	7.08/180	2.59/66	0.98/25	3.58/91
E30161609 00	0.45/11.5	0.23/6	4.72/120	2.79/71	0.78/20	3.58/91
E30162609 00	0.45/11.5	0.23/6	8.66/220	2.79/71	0.78/20	3.58/91
E30252612 00	0.45/11.5	0.23/6	8.46/215	3.77/96	0.98/25	4.76/121

Max. Cable Grips		
M	A/B	C/D
12	48	40
16	40	27
20	24	21
25	10	8
32	7	5
40	4	3

Max. Terminals	
SAKK4	SAKK10
23 pcs	16 pcs

Max. number of cable glands to DIN 50262

