



ROSE+BOPLA
ENCLOSURES

A PHOENIX MECANO COMPANY

ECO/PCI Compact Enclosures Product Drawings Last Updated 6/19/2008

Rose+Bopla Enclosures
7330 Executive Way
Frederick, MD 21704
www.rose-bopla.com
rbinfo@pm-usa.com

Dimensional Drawings

For Secondary Services, Product Support, or To Order, Call 1-301-696-9800

The availability of 11 different sizes with lids of up to 4 different heights are the basic components of this series of enclosures. The PCI enclosure series comes with PG embossings, while the

ECO/PCI Compact Enclosures

ECO enclosure series has plain sides.

Optionally, the ECO enclosures are available with an opaque or transparent lid. The wide range of accessories and the user-friendly design allow for this enclosure series to be utilized in almost any field of industry, whether as a component enclosure or as a control enclosure, as a terminal or a distributor box—ECO or PCI is your best choice.

ECO Compact					
Part #	Type	Length (Inches/mm)	Width (Inches/mm)	Height (Inches/mm)	Drawing Page #
60070711	ECO 01-6	2.56 / 65	2.56 / 65	2.24 / 57	17-89
60070721	ECO 01-8	2.56 / 65	2.56 / 65	3.19 / 81	17-89
60070911	ECO 02-6	2.56 / 65	3.70 / 94	2.24 / 57	17-89
60070921	ECO 02-8	2.56 / 65	3.70 / 94	3.19 / 81	17-89
60090911	ECO 03-6	3.70 / 94	3.70 / 94	2.24 / 57	17-90
60090921	ECO 03-8	3.70 / 94	3.70 / 94	3.19 / 81	17-90
60090912	ECO 03-6t	3.70 / 94	3.70 / 94	2.24 / 57	17-90
60090922	ECO 03-8t	3.70 / 94	3.70 / 94	3.19 / 81	17-90
60091311	ECO 04-6	3.70 / 94	5.12 / 130	2.24 / 57	17-90
60091321	ECO 04-8	3.70 / 94	5.12 / 130	3.19 / 81	17-90
60091312	ECO 04-6t	3.70 / 94	5.12 / 130	2.24 / 57	17-90
60091322	ECO 04-8t	3.70 / 94	5.12 / 130	3.19 / 81	17-90
60111111	ECO 05-7	4.33 / 110	4.33 / 110	2.60 / 66	17-91
60111121	ECO 05-9	4.33 / 110	4.33 / 110	3.54 / 90	17-91
60111112	ECO 05-7t	4.33 / 110	4.33 / 110	2.60 / 66	17-91
60111122	ECO 05-9t	4.33 / 110	4.33 / 110	3.54 / 90	17-91
60131311	ECO 06-7	5.12 / 130	5.12 / 130	2.95 / 75	17-91
60131321	ECO 06-10	5.12 / 130	5.12 / 130	3.90 / 99	17-91
60131312	ECO 06-7t	5.12 / 130	5.12 / 130	2.95 / 75	17-91
60131322	ECO 06-10t	5.12 / 130	5.12 / 130	3.90 / 99	17-91
60091811	ECO 07-6	3.70 / 94	7.09 / 180	2.24 / 57	17-92
60091821	ECO 07-8	3.70 / 94	7.09 / 180	3.19 / 81	17-92
60091812	ECO 07-6t	3.70 / 94	7.09 / 180	2.24 / 57	17-92
60091822	ECO 07-8t	3.70 / 94	7.09 / 180	3.19 / 81	17-92
60111811	ECO 08-9	4.33 / 110	7.09 / 180	3.54 / 90	17-92
60111821	ECO 08-11	4.33 / 110	7.09 / 180	4.37 / 111	17-92
60111812	ECO 08-9t	4.33 / 110	7.09 / 180	3.54 / 90	17-92
60111822	ECO 08-11t	4.33 / 110	7.09 / 180	4.37 / 111	17-92
60181811	ECO 09-9	7.09 / 180	7.17 / 182	3.54 / 90	17-93
60181821	ECO 09-11	7.09 / 180	7.17 / 182	4.37 / 111	17-93

t=Transparent Lid

Note: Dimensions are external. Metric is the primary dimension. Inch conversions and weights are for the user's convenience and are for reference only. Accessories shown on drawing page.



ECO Compact Enclosure

TECHNICAL DATA:

- Color: Light Gray similar to RAL 7035.
- Material: Fire-resistant thermoplastic polystyrene.
- Ingress Protection: IP 66, EN 60529, NEMA 4, 4X.
- Impact Resistance: >7Nm, EN 50014.
- Insulation: Fully insulated to VDE 0100.
- Flammability: UL 94 HB
- Toxicity: Low-halogen.
- Gasket Temperature Range:
Polyurethane Foam Gasket: +14° F to + 158° F.
- Temperature Resistance: +14° F up to +158° F.
- Weather Resistance: Do not expose to direct sunlight.
- Chemical Resistance: Not resistant to benzine, diesel, oils and fats as well as strong acids.



ECO/PCI Compact Application



PCI Compact Enclosure

ECO Compact Continued					
Part #	Type	Length (Inches/mm)	Width (Inches/mm)	Height (Inches/mm)	Drawing Page #
60181831	ECO 09-16	7.09 / 180	7.17 / 182	6.50 / 165	17-93
60181812	ECO 09-9t	7.09 / 180	7.17 / 182	3.54 / 90	17-93
60181822	ECO 09-11t	7.09 / 180	7.17 / 182	4.37 / 111	17-93
60181832	ECO 09-16t	7.09 / 180	7.17 / 182	6.50 / 165	17-93
60182511	ECO 10-9	7.09 / 180	10.00 / 254	3.54 / 90	17-93
60182521	ECO 10-11	7.09 / 180	10.00 / 254	4.37 / 111	17-93
60182531	ECO 10-16	7.09 / 180	10.00 / 254	6.50 / 165	17-93
60182512	ECO 10-9t	7.09 / 180	10.00 / 254	3.54 / 90	17-93
60182522	ECO 10-11t	7.09 / 180	10.00 / 254	4.37 / 111	17-93
60182532	ECO 10-16t	7.09 / 180	10.00 / 254	6.50 / 165	17-93
60253611	ECO 11-11	10.00 / 254	14.21 / 361	4.37 / 111	17-94
60253621	ECO 11-16	10.00 / 254	14.21 / 361	6.50 / 165	17-94
60253612	ECO 11-11t	10.00 / 254	14.21 / 361	4.37 / 111	17-94
60253622	ECO 11-16t	10.00 / 254	14.21 / 361	6.50 / 165	17-94
PCI Compact					
60070715	PCI 01-6M	2.65 / 65	2.65 / 65	2.24 / 57	17-89
60070915	PCI 02-6M	2.65 / 65	3.70 / 94	2.24 / 57	17-89
60090915	PCI 03-6M	3.70 / 94	3.70 / 94	2.24 / 57	17-90
60091315	PCI 04-6M	3.70 / 94	5.12 / 130	2.24 / 57	17-90
60111115	PCI 05-9M	4.33 / 110	4.33 / 110	3.54 / 90	17-91
60131315	PCI 06-7M	5.12 / 130	5.12 / 130	2.95 / 75	17-91
60091815	PCI 07-6M	3.70 / 94	7.09 / 180	2.24 / 57	17-92
60111815	PCI 08-9M	4.33 / 110	7.09 / 180	3.54 / 90	17-92
60111825	PCI 08-11M	4.33 / 110	7.09 / 180	4.33 / 111	17-92
60181815	PCI 09-9M	7.09 / 180	7.17 / 182	3.54 / 90	17-93
60181825	PCI 09-11M	7.09 / 180	7.17 / 182	4.33 / 111	17-93
60182515	PCI 10-9M	7.09 / 180	10.00 / 254	3.54 / 90	17-93
60182525	PCI 10-11M	7.09 / 180	10.00 / 254	4.33 / 111	17-93
60253615	PCI 11-11M	10.00 / 254	13.98 / 355	4.33 / 111	17-94

t=Transparent Lid

Note: Dimensions are external. Metric is the primary dimension. Inch conversions and weights are for the user's convenience and are for reference only. Accessories shown on drawing page.



PCI Compact Application showing PG Knockouts



Stop Button Application



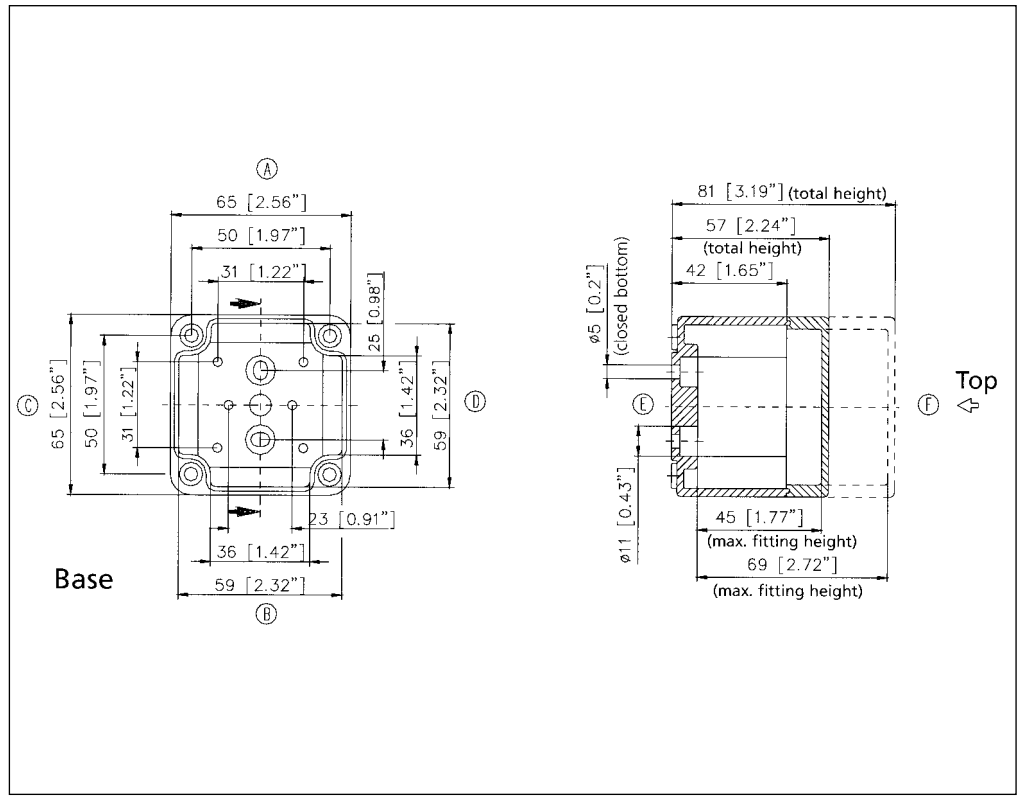
ECO/PCI Compact

ECO 01-6, 01-8 / PCI 01-6M

External Dimensions: L 65 x W 65 x H 57 / 81 mm

Page 1-29, 30

Standard Features
Base and Lid, Polyurethane seal. PCI enclosures feature metric cable gland knockouts on sides of base part.
<ul style="list-style-type: none"> • 60070711 (ECO 01-6) 65 x 65 x 57 mm • 60070721 (ECO 01-8) 65 x 65 x 81 mm • 60070713 (PC I 01-6) 65 x 65 x 57 mm
Accessories
<ul style="list-style-type: none"> • 60000101 Mounting Plates in plastic, 2.5 mm thick with self-tapping fastening screws and spacer inserts. • 60000201 Terminal Rail (TS 15) 45 mm. • 60000400 External Brackets. • 60000401 Lock • 60000402 Spacer Inserts. • 60000404 Hinge set.

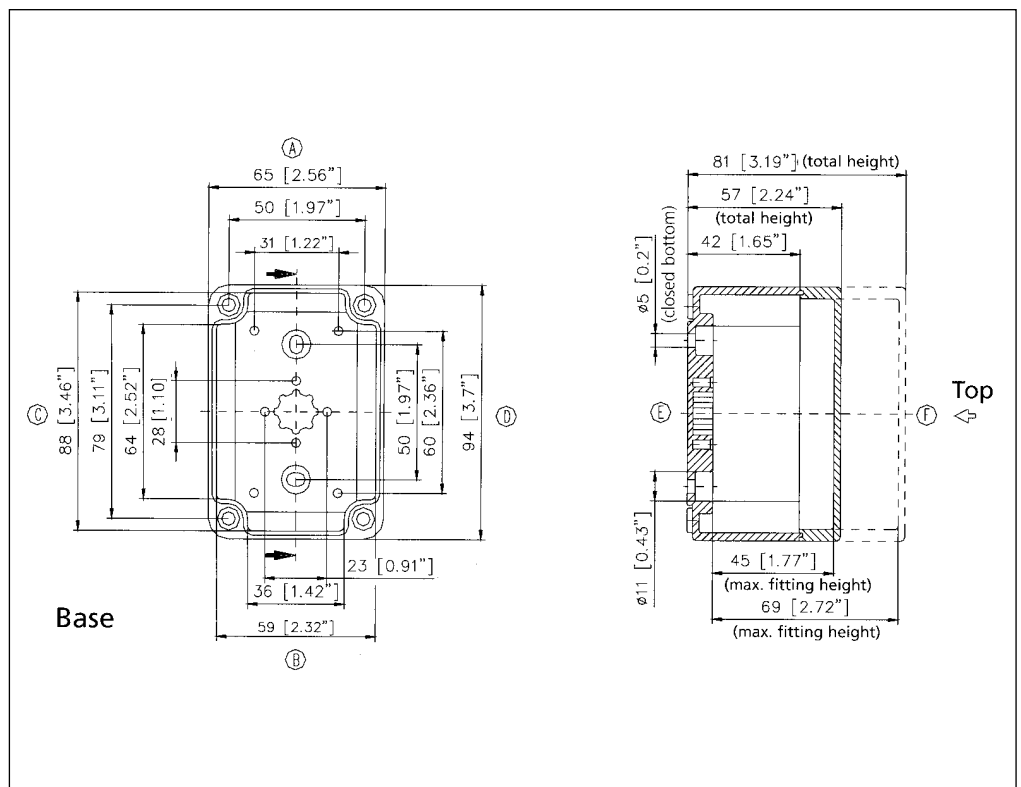


ECO 02-6, 02-8 / PCI 02-6M

External Dimensions: L 94 X W 65 X H 57 / 81mm

Page 1-29, 30

Standard Features
Base and Lid, Polyurethane seal. PCI enclosures feature metric cable gland knockouts on sides of base part.
<ul style="list-style-type: none"> • 60070911 (ECO 02-6) 65 x 94 x 57 mm • 60070921 (ECO 02-8) 65 x 94 x 81 mm • 60070913 (PC I 02-6) 65 x 94 x 57 mm
Accessories
<ul style="list-style-type: none"> • 60000102 Mounting Plates in plastic, 2.5 mm thick with self-tapping fastening screws and spacer inserts. • 60000201 Terminal Rail (TS 15) 45 mm. • 60000202 Terminal Rail (TS 15) 75 mm • 60000400 External Brackets. • 60000401 Lock • 60000402 Spacer Inserts. • 60000407 Hinge set.



Dimensional Drawings

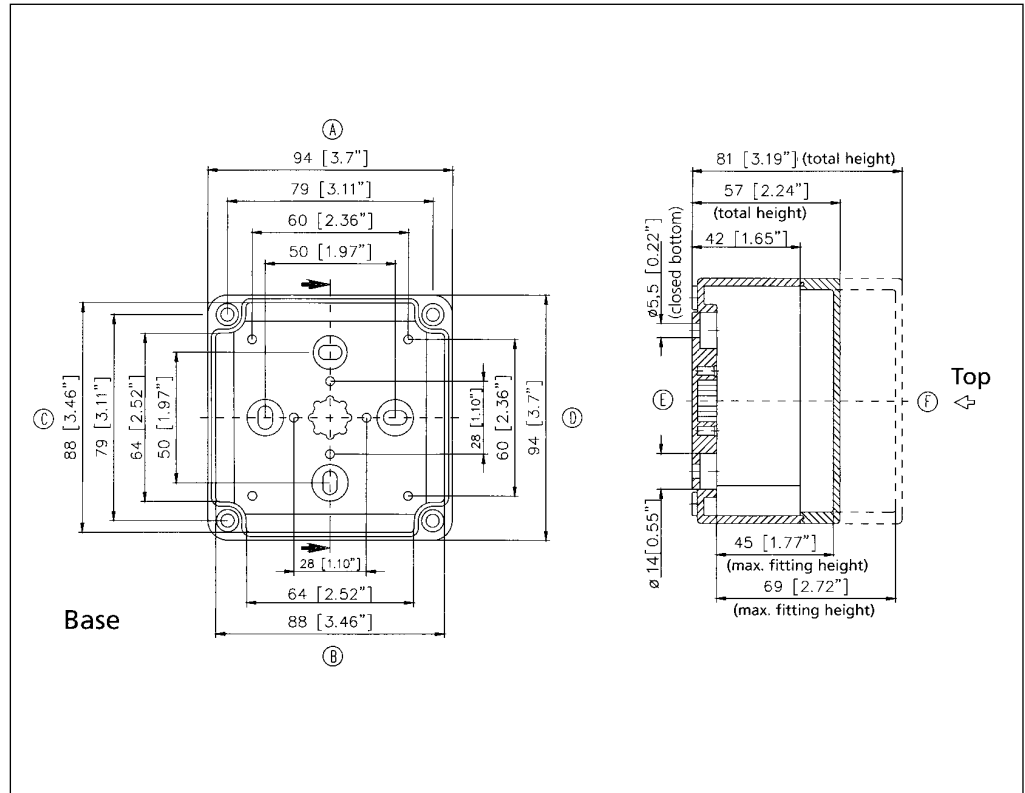
ECO/PCI Compact

ECO 03-6, 03-8, / PCI 03-6M

External Dimensions: L 94 x W 94 x H 57 / 81mm

Page 1-29, 30

Standard Features
Base and Lid, Polyurethane seal. PCI enclosures feature metric cable gland knockouts on sides of base part.
<ul style="list-style-type: none"> • 60090911 (ECO 03-6) 94 x 94 x 57 • 60090921 (ECO 03-8) 94 x 94 x 81 • 60090912 (ECO 03-6 i) 94 x 94 x 57 • 60090922 (ECO 03-8 i) 94 x 94 x 81 • 60090913 (PC I 03-6) 94 x 94 x 57
Accessories
<ul style="list-style-type: none"> • 60000103 Mounting Plates in plastic, 2.5 mm thick with self-tapping fastening screws and spacer inserts. • 60000202 Terminal Rail (TS 15) 75 mm. • 60000203 Terminal Rail (TS 15) 87 mm. • 60000400 External Brackets. • 60000401 Lock • 60000402 Spacer Inserts. • 60000407 Hinge set.

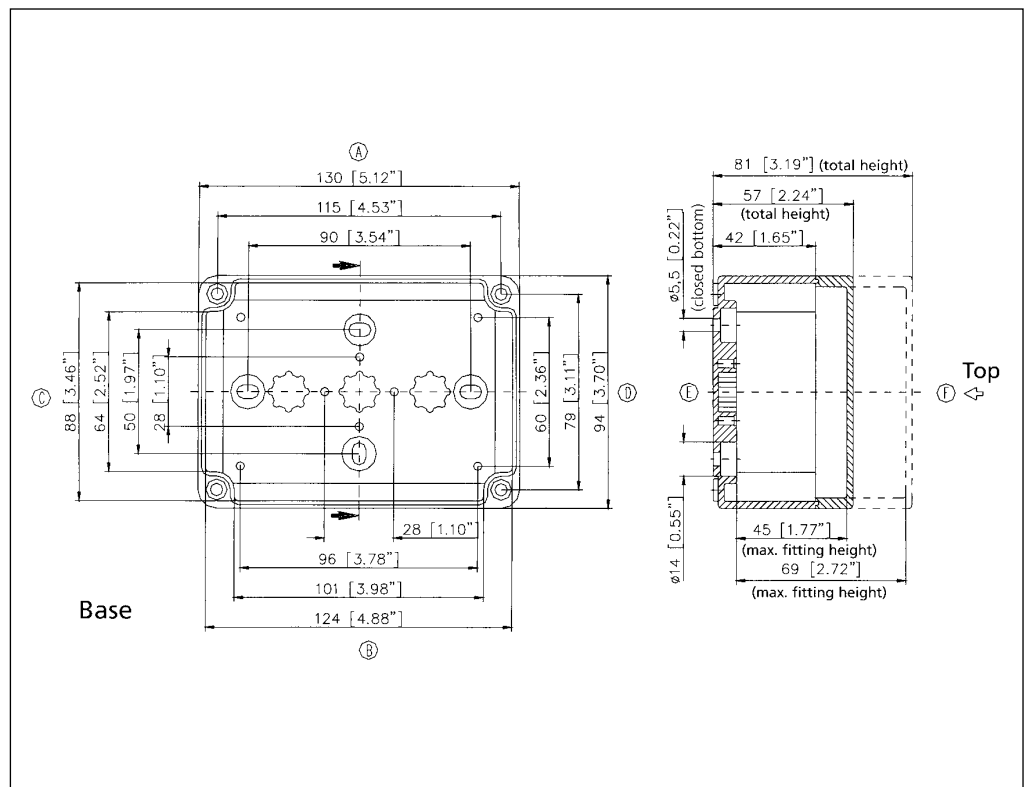


ECO 04-6, 04-8 / PCI 04-6M

External Dimensions: L130 x W 94 x H 57 / 81mm

Page 1-29, 30

Standard Features
Base and Lid, Polyurethane seal. PCI enclosures feature metric cable gland knockouts on sides of base part.
<ul style="list-style-type: none"> • 60091311 (ECO 04-6) 94 x 130 x 57 • 60091321 (ECO 04-8) 94 x 130 x 81 • 60091312 (ECO 04-6 i) 94 x 130 x 57 • 60091322 (ECO 04-8 i) 94 x 130 x 81 • 60091313 (PC I 04-6) 94 x 130 x 57
Accessories
<ul style="list-style-type: none"> • 60000104 Mounting Plates in plastic, 2.5 mm thick with self-tapping fastening screws and spacer inserts. • 60000204 Terminal Rail (TS 15) 106 mm. • 60000302 Terminal Rail (TS 35 / 7.5) 106 mm. • 60000400 External Brackets. • 60000401 Lock • 60000402 Spacer Inserts. • 60000407 Hinge set.





ECO 05-7, 05-9 / PCI 05-9M

External Dimensions: L 110 x W 110 x H 66 / 90mm

Page 1-29, 30

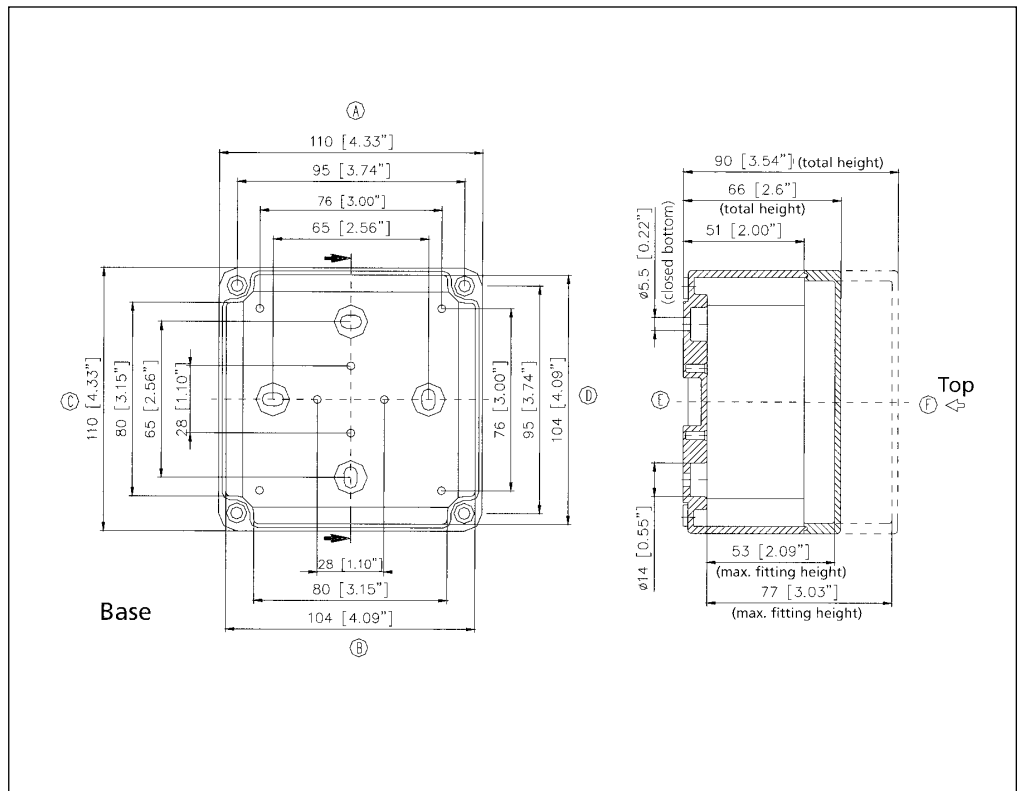
Standard Features

Base and Lid, Polyurethane seal.
PCI enclosures feature metric cable gland knockouts on sides of base part.

- 60111111 (ECO 05-7) 110 x 110 x 66
- 60111121 (ECO 05-9) 110 x 110 x 90
- 60111112 (ECO 05-7 I) 110 x 110 x 66
- 60111122 (ECO 05-9 I) 110 x 110 x 90
- 60111113 (PC I 05-9) 110 x 110 x 90

Accessories

- 60000105 Mounting Plates in plastic, 2.5 mm thick with self-tapping fastening screws and spacer inserts.
- 60000203 Terminal Rail (TS 15) 87 mm.
- 60000301 Terminal Rail (TS 35 / 7.5) 81 mm.
- 60000400 External Brackets.
- 60000401 Lock
- 60000402 Spacer Inserts.
- 60000407 Hinge set.



ECO 06-7, 06-10 / PCI 06-7M

External Dimensions: L130 x W 130 x H 75 / 99mm

Page 1-29, 30

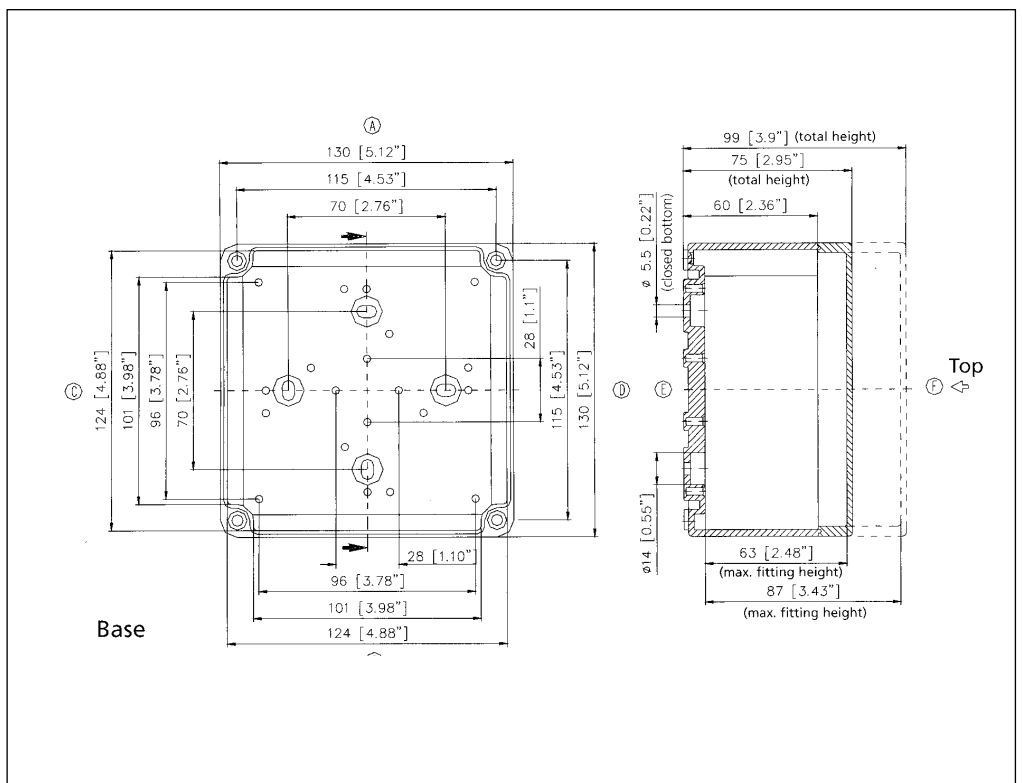
Standard Features

Base and Lid, Polyurethane seal.
PCI enclosures feature metric cable gland knockouts on sides of base part.

- 60131311 (ECO 06-7) 130 x 130 x 75
- 60131321 (ECO 06-10) 130 x 130 x 99
- 60131312 (ECO 06-7 I) 130 x 130 x 75
- 60131322 (ECO 06-10 I) 130 x 130 x 99
- 60131313 (PC I 06-7) 130 x 130 x 75

Accessories

- 60000106 Mounting Plates in plastic, 2.5 mm thick with self-tapping fastening screws and spacer inserts.
- 60000204 Terminal Rail (TS 15) 106 mm.
- 60000302 Terminal Rail (TS 35 / 7.5) 106 mm.
- 60000400 External Brackets.
- 60000401 Lock
- 60000402 Spacer Inserts.
- 60000407 Hinge set.



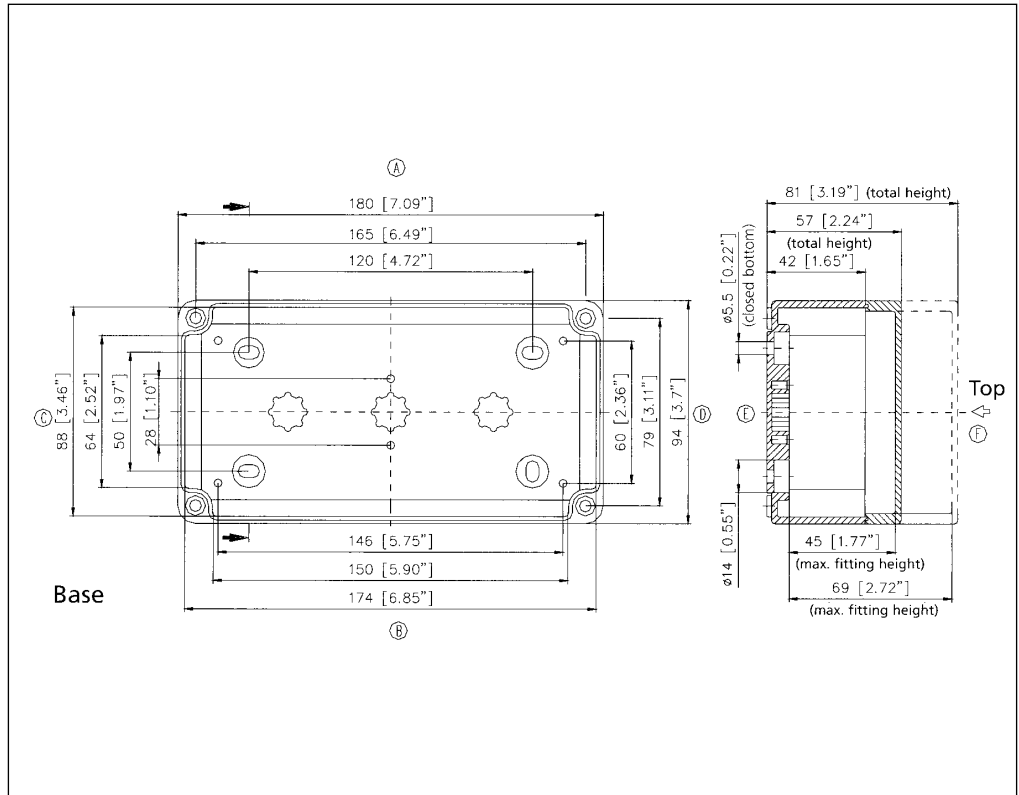
ECO/PCI Compact

ECO 07-6, 07-8 / PCI 07-6M

External Dimensions: L 180 x W 94 x H 57 / 81mm

Page 1-29, 30

Standard Features
Base and Lid, Polyurethane seal. PCI enclosures feature metric cable gland knockouts on sides of base part.
<ul style="list-style-type: none"> • 60091811 (ECO 07-6) 94 x 180 x 57 • 60091821 (ECO 07-8) 94 x 180 x 81 • 60091812 (ECO 07-6 t) 94 x 180 x 57 • 60091822 (ECO 07-8 t) 94 x 180 x 81 • 60091813 (PCI 07-6) 94 x 180 x 57
Accessories
<ul style="list-style-type: none"> • 60000107 Mounting Plates in plastic, 2.5 mm thick with self-tapping fastening screws and spacer inserts. • 60000205 Terminal Rail (TS 15) 148 mm. • 60000303 Terminal Rail (TS 35 / 7.5) 144 mm. • 60000408 Hinge set, small (pack of 2), except PCI. • 60000400 External Brackets. • 60000401 Lock • 60000402 Spacer Inserts. • 60000407 Hinge set.

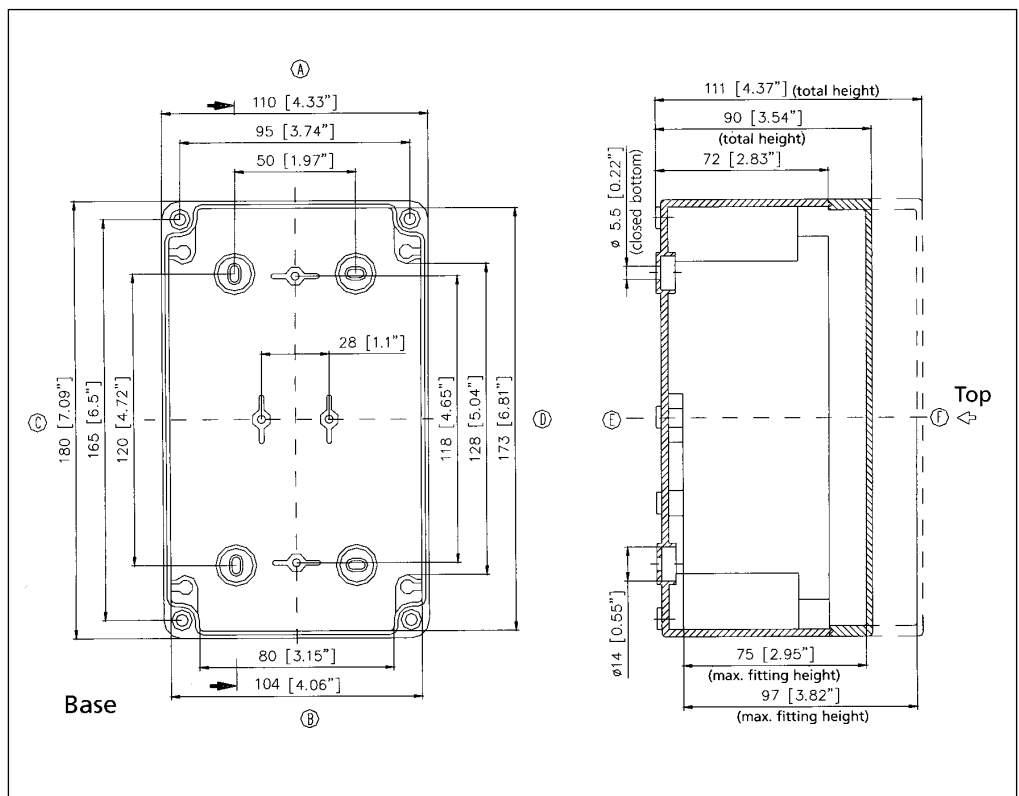


ECO 08-9, 08-11 / PCI 08-9M, 08-11M

External Dimensions: L 180 x W 110 x H 90 / 111mm

Page 1-29, 30

Standard Features
Base and Lid, Polyurethane seal. PCI enclosures feature metric cable gland knockouts on sides of base part.
<ul style="list-style-type: none"> • 60111811 (ECO 08-9) 110 x 180 x 90 • 60111821 (ECO 08-11) 110 x 180 x 111 • 60111812 (ECO 08-9 t) 110 x 180 x 90 • 60111822 (ECO 08-11 t) 110 x 180 x 111 • 60111813 (PCI 08-9) 110 x 180 x 90 • 60111823 (PCI 08-11) 110 x 180 x 111
Accessories
<ul style="list-style-type: none"> • 60000108 Mounting Plates in plastic, 2.5 mm thick with self-tapping fastening screws and spacer inserts. • 60000303 Terminal Rail (TS 35 / 7.5) 144 mm. • 60000408 Hinge set, small (pack of 2). • 60000400 External Brackets. • 60000401 Lock • 60000402 Spacer Inserts. • 60000508 Hinge set.





ECO 09-9, 09-11, 09-16 / PCI 09-9M, 09-11M External Dimensions: L 182 x W 180 x H 90 / 111 / 165mm Page 1-29, 30

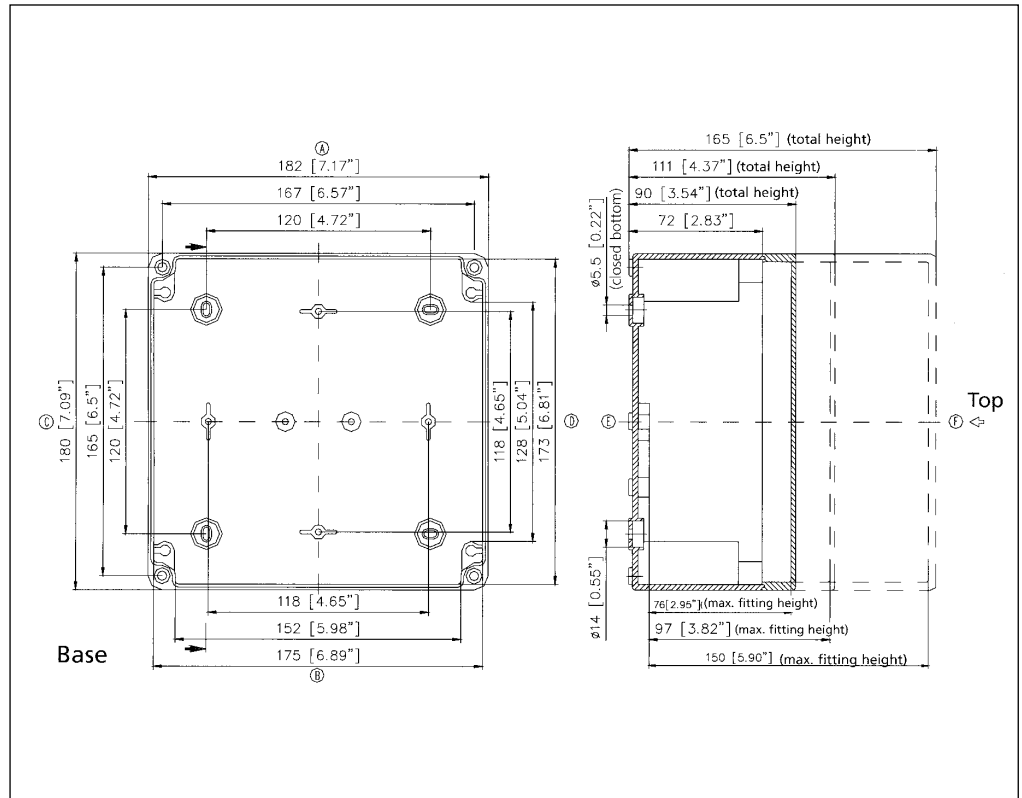
Standard Features

Base and Lid, Polyurethane seal.
 PCI enclosures feature metric cable gland knockouts on sides of base part.

- 60181811 (ECO 09-9) 180 x 182 x 90
- 60181821 (ECO 09-11) 180 x 182 x 111
- 60181831 (ECO 09-16) 180 x 182 x 165
- 60181812 (ECO 09-9 t) 180 x 182 x 90
- 60181822 (ECO 09-11 t) 180 x 182 x 111
- 60181832 (ECO 09-16 t) 180 x 182 x 165
- 60181813 (PC I 09-9) 180 x 182 x 90
- 60181823 (PC I 09-11) 180 x 182 x 111

Accessories

- 60000109 Mounting Plates in plastic, 2.5 mm thick with self-tapping fastening screws and spacer inserts.
- 60000303 Terminal Rail (TS 35 / 7.5) 144 mm.
- 60000400 External Brackets.
- 60000401 Lock
- 60000402 Spacer Inserts.
- 60000408 Hinge set.



ECO 10-9, 10-11, 10-16 / PCI 10-9M, 10-11M External Dimensions: L 254 x W 180 x H 90 / 111 / 165mm Page 1-30

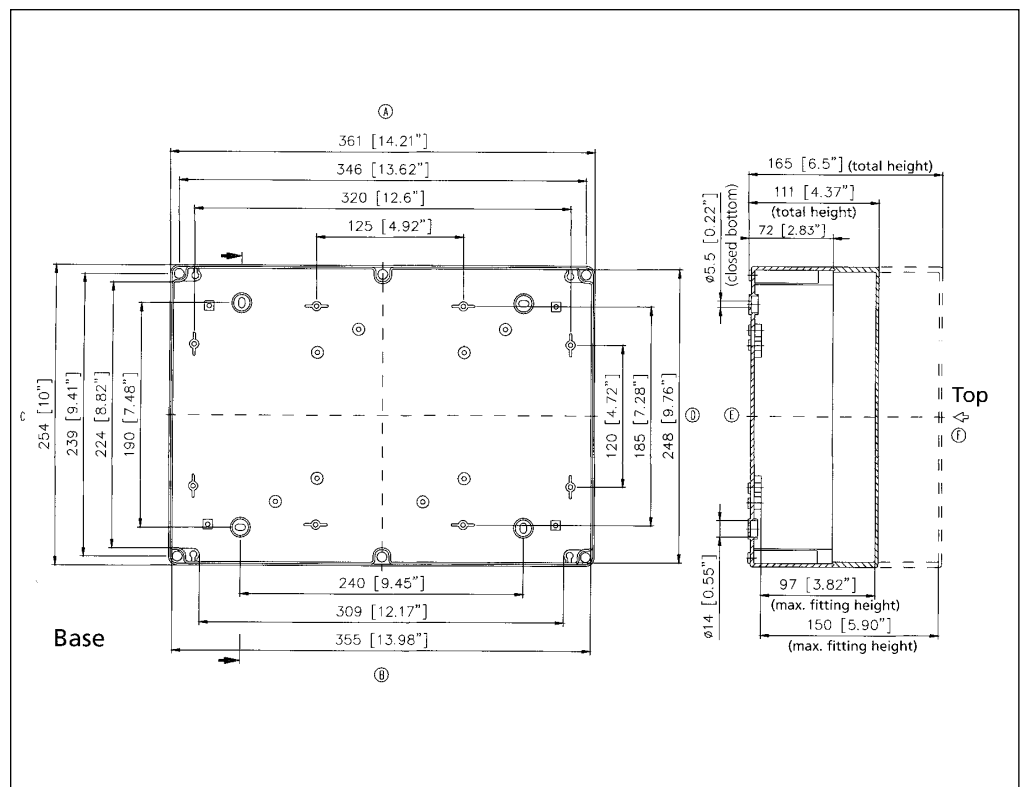
Standard Features

Base and Lid, Polyurethane seal.
 PCI enclosures feature metric cable gland knockouts on sides of base part.

- 60182511 (ECO 10-9) 180 x 254 x 90
- 60182521 (ECO 10-11) 180 x 254 x 111
- 60182531 (ECO 10-16) 180 x 254 x 165
- 60182512 (ECO 10-9 t) 180 x 254 x 90
- 60182522 (ECO 10-11 t) 180 x 254 x 111
- 60182532 (ECO 10-16 t) 180 x 254 x 165
- 60182513 (PC I 10-9) 180 x 254 x 90
- 60182523 (PC I 10-11) 180 x 254 x 111

Accessories

- 60000110 Mounting Plates in plastic, 2.5 mm thick with self-tapping fastening screws and spacer inserts.
- 60000304 Terminal Rail (TS 35 / 7.5) 216 mm.
- 60000400 External Brackets.
- 60000401 Lock
- 60000402 Spacer Inserts.
- 60000408 Hinge set.



ECO/PCI Compact

ECO 11-11, 11-16 / PCI 11-11M

External Dimensions: L 361 x W 254 x H 111 / 165mm

Page 1-30

Standard Features
Base and Lid, Polyurethane seal. PCI enclosures feature metric cable gland knockouts on sides of base part.
<ul style="list-style-type: none"> • 60253611 (ECO 11-11) 254 x 355 x 111 • 60253621 (ECO 11-16) 254 x 355 x 165 • 60253612 (ECO 11-11 t) 254 x 355 x 111 • 60253622 (ECO 11-16 t) 254 x 355 x 165 • 60253613 (PCI 11-11) 254 x 355 x 111
Accessories
<ul style="list-style-type: none"> • 60000111 Mounting Plates in plastic, 2.5 mm thick with self-tapping fastening screws and spacer inserts. • 60000305 Terminal Rail (TS 35 / 7.5) 336 mm. • 60000400 External Brackets. • 60000401 Lock • 60000402 Spacer Inserts. • 60000408 Hinge set.

