



**ROSE+BOPLA**  
ENCLOSURES

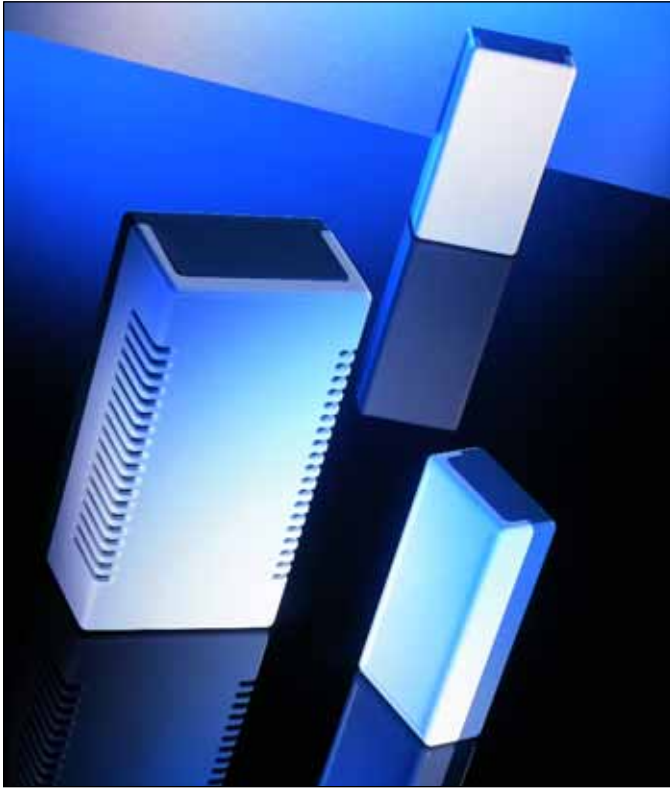
A PHOENIX MECANO COMPANY

# Element Product Drawings Last Updated 6/19/2008

Rose+Bopla Enclosures  
7330 Executive Way  
Frederick, MD 21704  
301-696-9800  
[www.rose-bopla.com](http://www.rose-bopla.com)  
[rbinfo@pm-usa.com](mailto:rbinfo@pm-usa.com)

*Dimensional Drawings*

*For Secondary Services, Product Support, or To Order, Call 1-301-696-9800*



**TECHNICAL DATA:**

- Color: Upper section, Light Gray (RAL 7035); Lower section Dark Gray (RAL 7024).
- Material: Polystyrene. See Polystyrene specification sheets in the Technical Information Chapter.
- Protection Classification: IP 40, DIN EN 60529 Dusttight.
- Flammability: UL 94 HB/1.47.
- Surface Resistance: >10<sup>13</sup> Ohm to DIN 53482

Our popular **Element** series of small plastic boxes features a unique “U” shaped lid/base design, which simplifies electronic component installation and maintenance through the open sides

## Element Enclosures

of the lower section. The standard color scheme is a light gray lid and dark gray base. Element enclosures are made of shock resistant Polystyrene and come in 12 sizes. They are ideal for small instruments, PCBs, and many other electronic components.

Screws secure the housing together from the rear. Optional front access lid screws can be used for wall-mount applications. Four internal mounting bosses accept screws for mounting plate. Flame-retardant versions with molded-in plugs are also available.

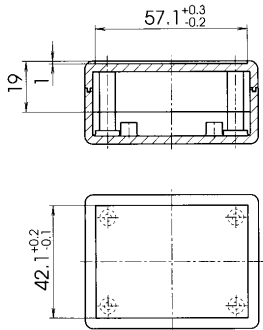
<b>Element Enclosures</b>						
Model Number	Part Number	Length (Inches/mm)	Width (Inches/mm)	Height (Inches/mm)	Weight	Drawing Page #
E 406	05406000	2.56 / 65	1.97 / 50	1.18 / 30	.01 lbs	17-82
E 406 F *	05406700	2.56 / 65	1.97 / 50	1.18 / 30	.01 lbs	17-82
E 406 VL	05406900	2.56 / 65	1.97 / 50	1.18 / 30	.01 lbs	17-82
E 408	05408000	2.56 / 65	1.97 / 50	1.77 / 45	.12 lbs	17-82
E 410	05410002	3.94 / 100	1.97 / 50	.98 / 25	.12 lbs	17-82
E 410 F *	05410700	3.94 / 100	1.97 / 50	.98 / 25	.12 lbs	17-82
E 410 FVL *	05410800	3.94 / 100	1.97 / 50	.98 / 25	.12 lbs	17-82
E 420	05420002	3.94 / 100	1.97 / 50	1.57 / 40	.15 lbs	17-83
E 420 F *	05420700	3.94 / 100	1.97 / 50	1.57 / 40	.15 lbs	17-83
E 420 FVL *	05420800	3.94 / 100	1.97 / 50	1.57 / 40	.15 lbs	17-83
E 430	05430002	4.72 / 120	2.56 / 65	1.57 / 40	.22 lbs	17-83
E 430 A	04530500	4.72 / 120	2.56 / 65	1.57 / 40	.22 lbs	17-83
E 430 F *	05430700	4.72 / 120	2.56 / 65	1.57 / 40	.22 lbs	17-83
E 430 FVL *	05430800	4.72 / 120	2.56 / 65	1.57 / 40	.22 lbs	17-83
E 434 S	05434000	7.40 / 188	4.33 / 110	1.57 / 40	.44 lbs	–
E 435	05435000	4.72 / 120	2.56 / 65	2.56 / 65	.30 lbs	17-83
E 440	05440002	5.91 / 150	3.15 / 80	2.16 / 55	.40 lbs	17-84
E 440 F *	05440700	5.91 / 150	3.15 / 80	2.16 / 55	.40 lbs	17-84
E 440 FVL *	05440800	5.91 / 150	3.15 / 80	2.16 / 55	.40 lbs	17-84
E 440 VL	05440200	5.91 / 150	3.15 / 80	2.16 / 55	.40 lbs	17-84
E 445	05445000	5.91 / 150	3.15 / 80	3.15 / 80	.44 lbs	17-84
E 450	05450002	7.40 / 188	4.33 / 110	2.75 / 70	.60 lbs	17-84
E 450 F *	05450700	7.40 / 188	4.33 / 110	2.75 / 70	.60 lbs	17-84
E 450 FVL *	05450800	7.40 / 188	4.33 / 110	2.75 / 70	.60 lbs	17-84
E 450 VL	05450200	7.40 / 188	4.33 / 110	2.75 / 70	.60 lbs	17-84
E 460	05460000	7.40 / 188	4.33 / 110	3.94 / 100	.71 lbs	17-84
E 470	05470000	7.40 / 188	4.33 / 110	4.72 / 120	.77 lbs	17-84

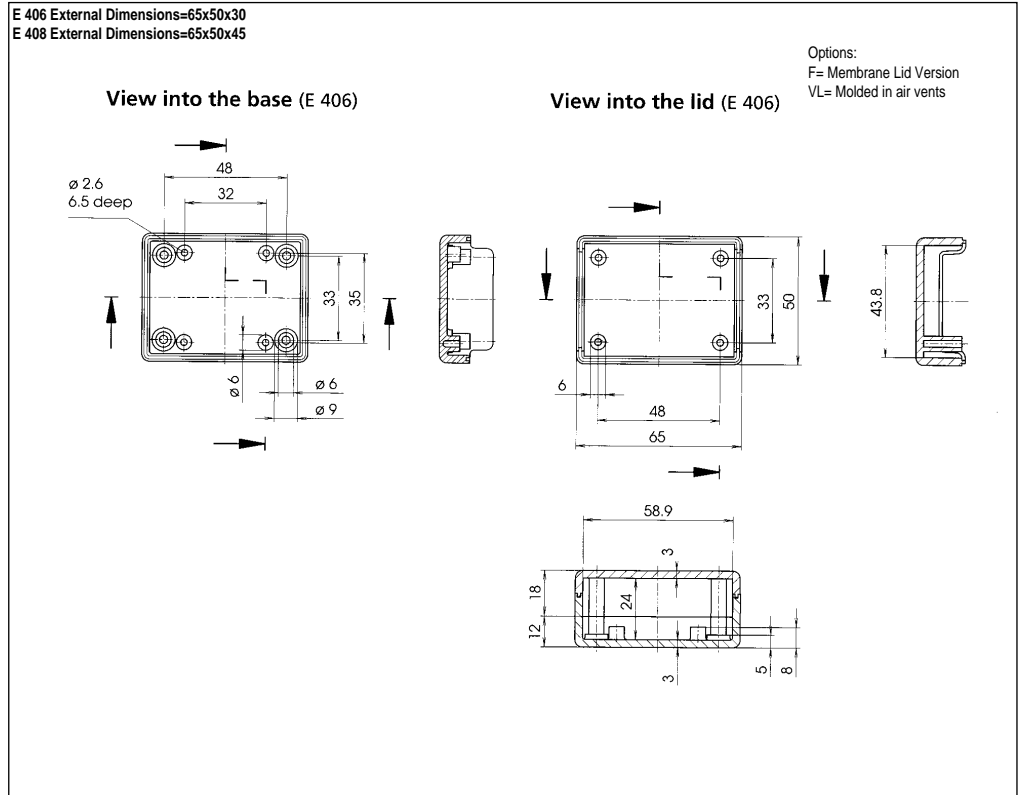
Note: Dimensions are external. Metric is the primary dimension. Inch conversions and weights are for the user's convenience and are for reference only. \* = 500 piece minimum order. Accessories shown on drawing page.

- A= Recessed aluminum top plate
- S= Snap fitting lid
- VL= Ventilation slots
- F= Recessed for membrane keypad

## E 406/408

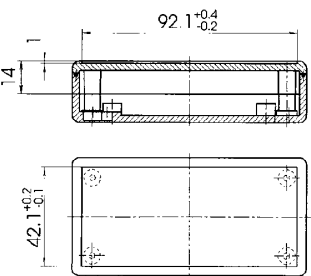
## E 406 External Dimensions: L65 x W50 mm

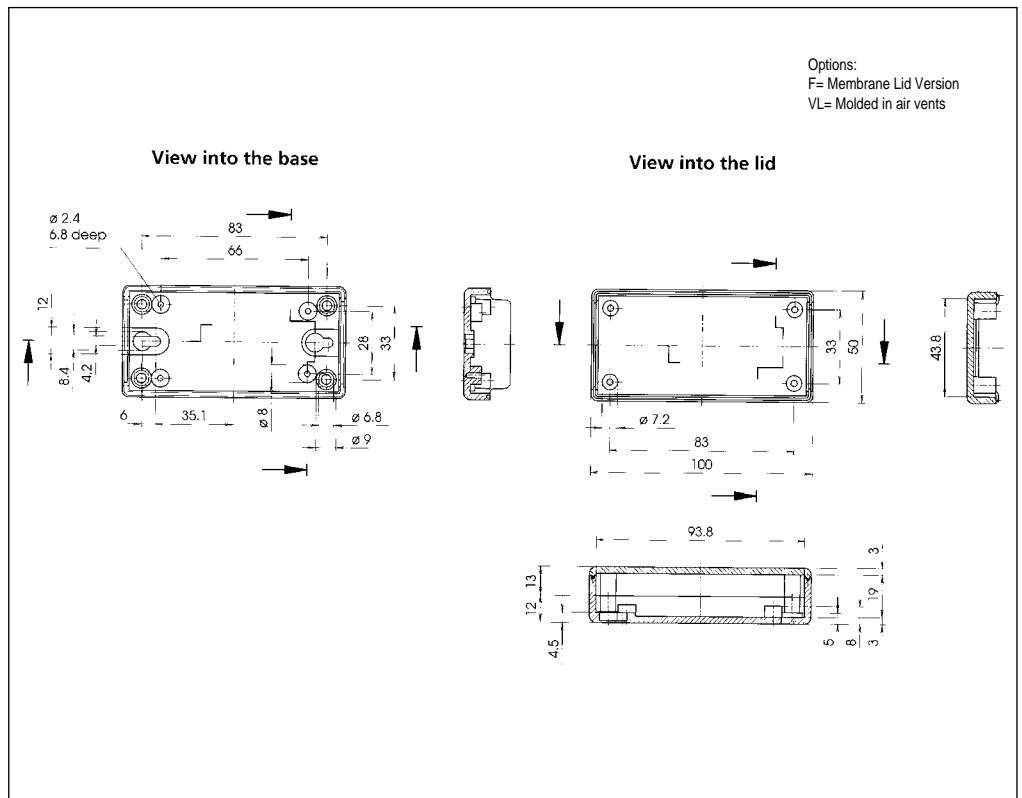
<p><b>Standard Features</b></p> <ul style="list-style-type: none"> <li>• Assembly Hardware</li> </ul>
<p><b>Accessories</b></p> <ul style="list-style-type: none"> <li>• SMP1230 EG/59006215 Mounting boss screws, Self-tapping</li> <li>• TF1230 Rubber table feet (Set of 4)</li> </ul>
<p><b>Membrane Lid Detail</b></p> <p>Version E 406 F</p> 



## E 410

## External Dimensions: L100 x W50 x H25 mm

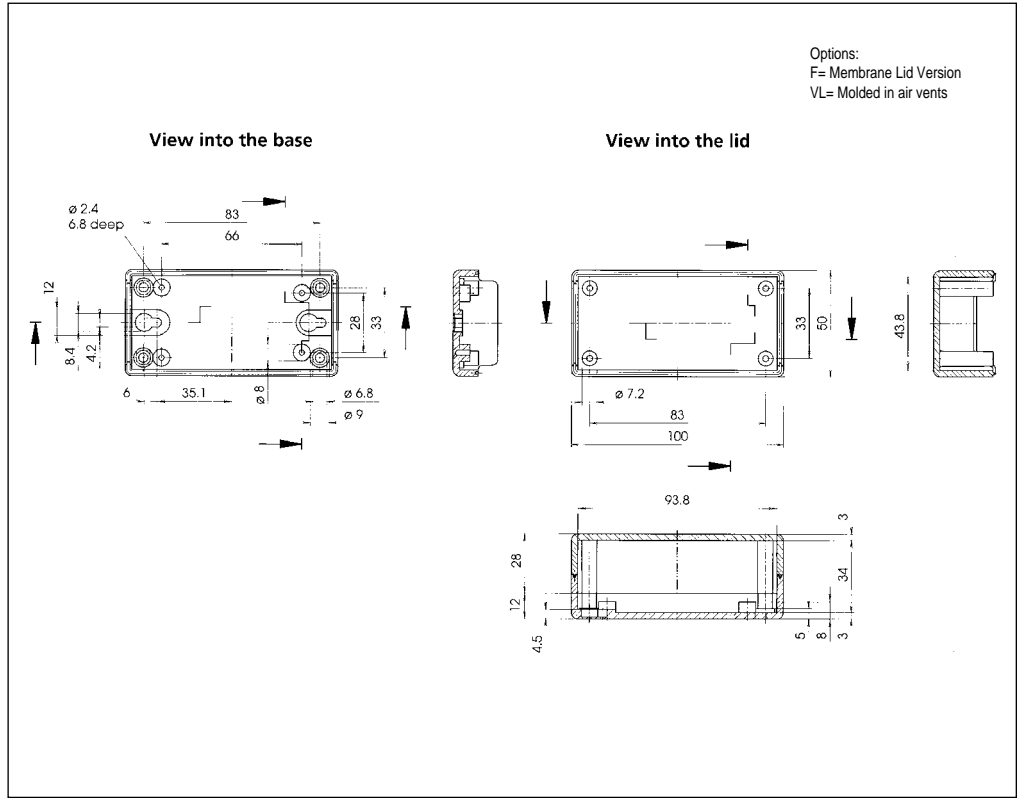
<p><b>Standard Features</b></p> <ul style="list-style-type: none"> <li>• Assembly Hardware</li> </ul>
<p><b>Accessories</b></p> <ul style="list-style-type: none"> <li>• SMP1230 EG/59006215 Mounting boss screws, Self-tapping</li> <li>• TF1230 Rubber table feet (Set of 4)</li> </ul>
<p><b>Membrane Lid Detail</b></p> <p>Version E 410 F</p> 





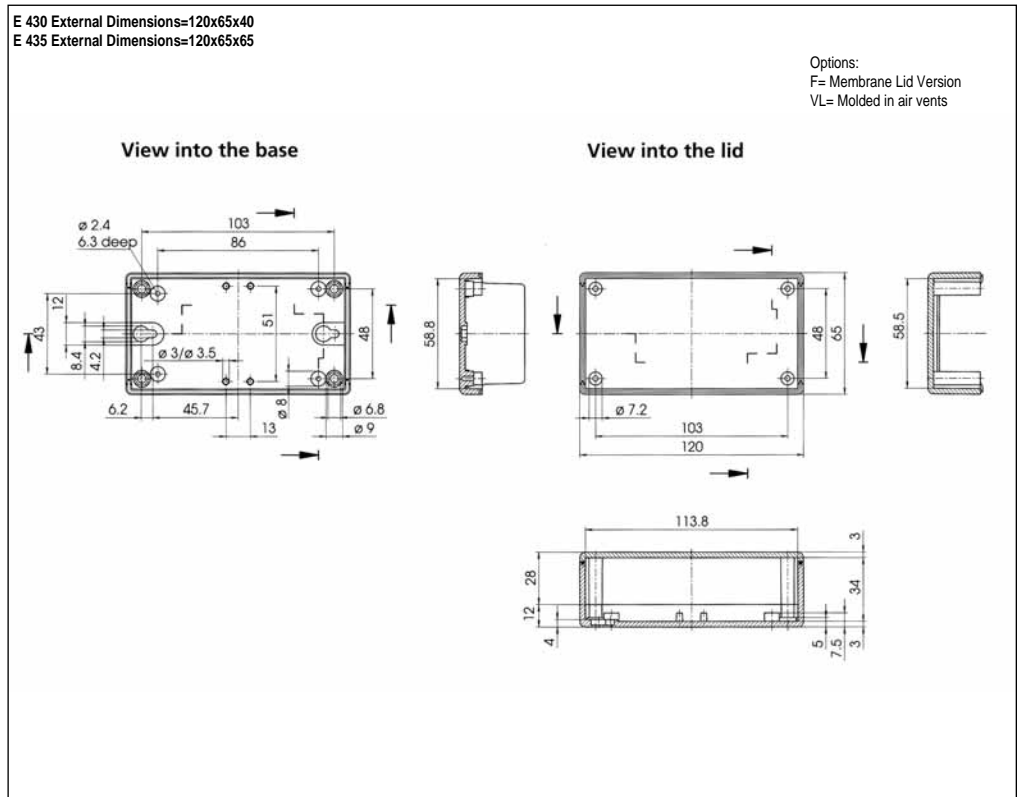
**E 420** External Dimensions: L100 x W50 x H40 mm Page 1-24

<b>Standard Features</b>
• Assembly Hardware
<b>Accessories</b>
• SMP1230 EG/59006215 Mounting boss screws, Self-tapping • TF1230 Rubber table feet (Set of 4)
<b>Membrane Lid Detail</b>



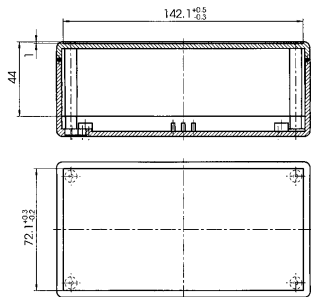
**E 430/435** External Dimensions: L120 x W65 mm Page 1-24

<b>Standard Features</b>
• Assembly Hardware
<b>Accessories</b>
• MP430E Mounting plate for E 430, 435 • SMP 1230 EG/59006215 Mounting boss screws • TF1230 Rubber table feet (Set of 4) • DO430E/25000500 Lid access screws (Set of 4) for E430 • DO435E/25000600 Lid access screws (Set of 4) for E435
<b>Membrane Lid Detail</b>



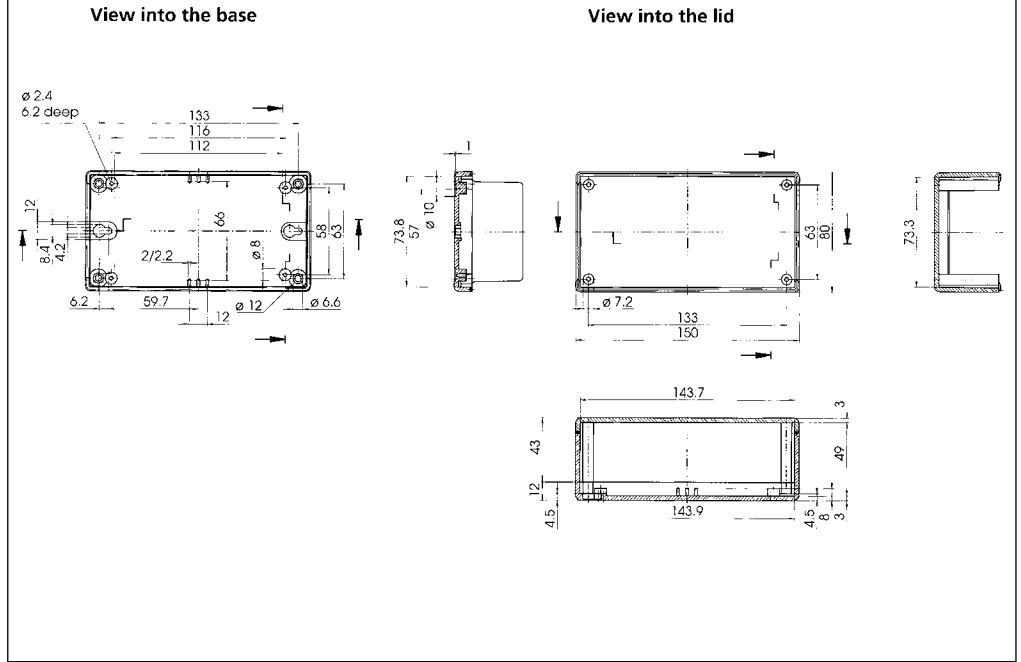
## E 440/445

## E 440 External Dimensions: L150 x W80 mm

Standard Features
<ul style="list-style-type: none"> <li>• Assembly Hardware</li> </ul>
Accessories
<ul style="list-style-type: none"> <li>• HS440E/25001900 Carry handle for E 440</li> <li>• MP440E Mounting plate for E 440, 445</li> <li>• SMP1230 EG/59006215 Self-tapping mounting boss screws</li> <li>• TF1230 Rubber table feet (Set of 4)</li> <li>• DO440E/25000700 Lid access screws (Set of 4) for E440.</li> <li>• DO445E/2500080 Lid access screws (Set of 4) for E445.</li> </ul>
Membrane Lid Detail


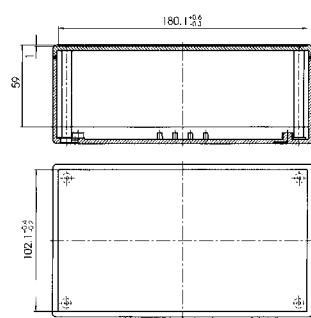
E 440 External Dimensions=150x80x55  
E 445 External Dimensions=150x80x80

Options:  
F= Membrane Lid Version  
VL= Molded in air vents



## E 450/460/470

## E 450 External Dimensions: L188 x W110 mm

Standard Features
<ul style="list-style-type: none"> <li>• Assembly Hardware</li> </ul>
Accessories
<ul style="list-style-type: none"> <li>• HS450E/25002000 Carry handle for E 450</li> <li>• MP450E/25000300 Mounting plate for E 450, 460, 470</li> <li>• SMP1230EG/59006215 Self-tapping mounting boss screws</li> <li>• TF1230 Rubber table feet (Set of 4)</li> <li>• DO450E/25000900 Lid access screws (Set of 4) for E450</li> <li>• DO460E/25001000 Lid access screws (Set of 4) for E460.</li> <li>• DO470E/25001100 Lid access screws (Set of 4) for E470.</li> </ul>
Membrane Lid Detail


E 450 External Dimensions=188x110x70  
E 460 External Dimensions=188x110x100  
E 470 External Dimensions=188x110x120

Options:  
F= Membrane Lid Version  
VL= Molded in air vents

