



**ROSE+BOPLA**  
ENCLOSURES

A PHOENIX MECANO COMPANY

# Fiberglass Watertight 02 Product Drawings Last Updated 6/18/2008

Rose+Bopla Enclosures  
7330 Executive Way  
Frederick, MD 21704  
301-696-9800  
[www.rose-bopla.com](http://www.rose-bopla.com)  
[rbinfo@pm-usa.com](mailto:rbinfo@pm-usa.com)

*Dimensional Drawings*

*For Secondary Services, Product Support, or To Order, Call 1-301-696-9800*



Rose+Bopla's fiberglass watertight enclosures are the enclosures to use when harsh environments are a problem. These enclosures are made of compression molded fiberglass, the

## Fiberglass Watertight 02

best method for producing a strong, rugged enclosure which will withstand all conditions: weather, liquids, chemicals and harsh manufacturing environments. Rose+Bopla's fiberglass enclosures stand up to adverse weather conditions and most industrial chemicals with no deterioration over many years. They will also withstand the effects of ultra-violet rays.

Our Fiberglass Watertight 02 enclosure consists of a compression molded lid and base, captive stainless steel lid screws, molded-in mounting inserts in base, and a polyurethane gasket. Silicone and RFI gaskets are available as an option.

These Fiberglass Watertight 02 enclosures can be used for water pollution control devices, paper processing controls and ship and harbor beacon signal controls.

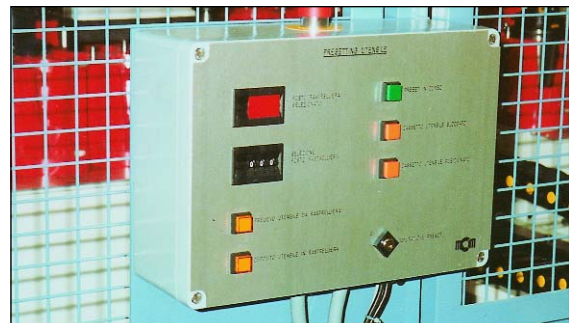


### TECHNICAL DATA:

- Color: Gray is standard similar to RAL 7000.
- Material: Fiberglass reinforced Polyester plastic.
- Impact Resistance: >7Nm, EN50014.
- Flammability: Self-extinguishing, UL 94 V0.
- Gasket Temperature Range:
  - Polyurethane Foam Gasket -40°F to +194°F
  - Silicone Foam Gasket -76°F to +266°F
  - Neoprene Gasket -40°F to +212°F
  - RFI Gasket -40°F to +392°F
- Captive Stainless Steel Lid Screws.
- Surface Resistance: >10<sup>12</sup> Ohm to DIN 53482.
- Disruptive Strength: 18KV / mm to DIN 53482.
- Toxicity: Halogen Free.
- Protection Classifications:
  - NEMA Types: up to Nema 4, 4X
  - IP 66, EN 60529
- Approvals:
  - UL Listed File #E206630, UL 50, UL 508
  - CSA Approved
  - Det Norske Veritas File #828.11/FERe
  - Maritime Register of Shipping #83033.250

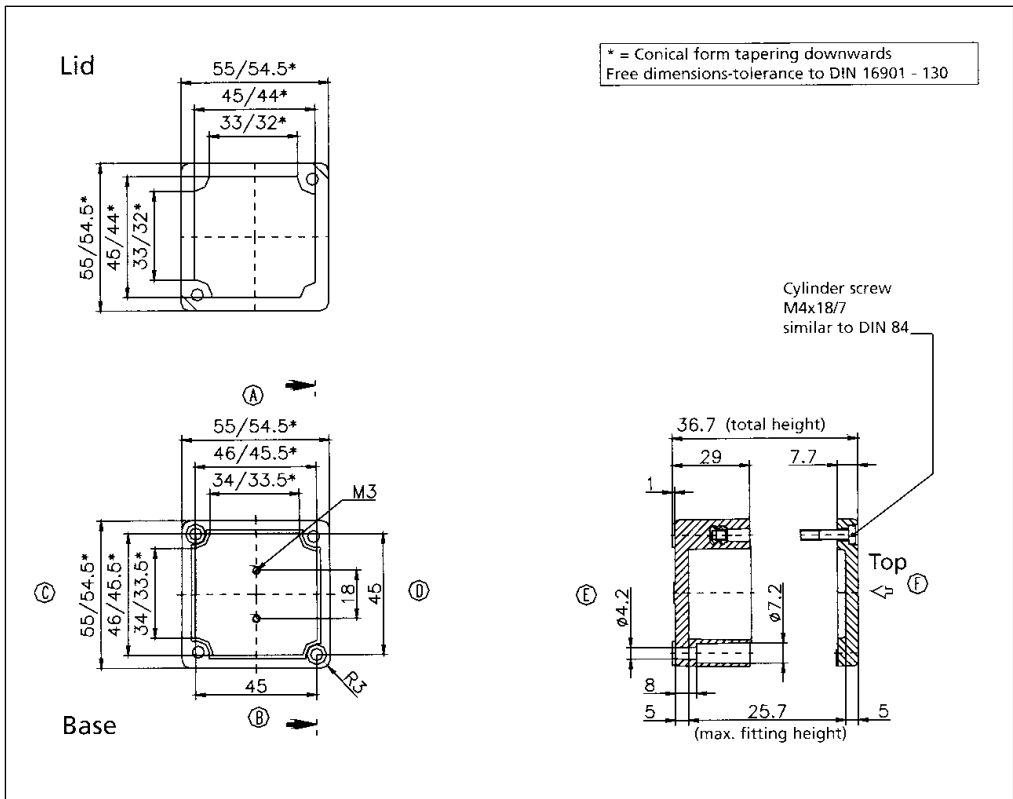
| Fiberglass Watertight 02 Enclosures |                       |                      |                       |           |                   |
|-------------------------------------|-----------------------|----------------------|-----------------------|-----------|-------------------|
| Part Number                         | Length<br>(Inches/mm) | Width<br>(Inches/mm) | Height<br>(Inches/mm) | Weight    | Drawing<br>Page # |
| 02060603                            | 2.17 / 55             | 2.17 / 55            | 1.46 / 37             | .22 lbs   | 17-34             |
| 02060606                            | 2.17 / 55             | 2.17 / 55            | 2.32 / 59             | .28 lbs   | 17-34             |
| 02080806                            | 3.15 / 80             | 2.95 / 75            | 2.20 / 56             | .50 lbs   | 17-35             |
| 02080808                            | 3.15 / 80             | 2.95 / 75            | 2.95 / 75             | .66 lbs   | 17-35             |
| 02081106                            | 4.33 / 110            | 2.95 / 75            | 2.20 / 56             | .58 lbs   | 17-36             |
| 02081108                            | 4.33 / 110            | 2.95 / 75            | 2.95 / 75             | .79 lbs   | 17-36             |
| 02081606                            | 6.30 / 160            | 2.95 / 75            | 2.20 / 56             | .89 lbs   | 17-37             |
| 02081608                            | 6.30 / 160            | 2.95 / 75            | 2.95 / 75             | 1.01 lbs  | 17-37             |
| 02081906                            | 7.48 / 190            | 2.95 / 75            | 2.20 / 56             | .93 lbs   | 17-38             |
| 02081908                            | 7.48 / 190            | 2.95 / 75            | 2.95 / 75             | 1.16 lbs  | 17-38             |
| 02082306                            | 9.06 / 230            | 2.95 / 75            | 2.20 / 56             | 1.30 lbs  | 17-39             |
| 02082308                            | 9.06 / 230            | 2.95 / 75            | 2.95 / 75             | 1.47 lbs  | 17-39             |
| 02103208                            | 12.60 / 320           | 3.94 / 100           | 3.19 / 81             | 2.87 lbs  | 17-40             |
| 02121209                            | 4.80 / 122            | 4.72 / 120           | 3.58 / 91             | 1.65 lbs  | 17-40             |
| 02122209                            | 8.66 / 220            | 4.72 / 120           | 3.58 / 91             | 2.33 lbs  | 17-41             |
| 02161609                            | 6.30 / 160            | 6.30 / 160           | 3.58 / 91             | 2.59 lbs  | 17-41             |
| 02162609                            | 10.24 / 260           | 6.30 / 160           | 3.58 / 91             | 3.76 lbs  | 17-42             |
| 02163609                            | 14.17 / 360           | 6.30 / 160           | 3.58 / 91             | 4.73 lbs  | 17-42             |
| 02165609                            | 22.05 / 560           | 6.30 / 160           | 3.58 / 91             | 7.02 lbs  | 17-43             |
| 02252612                            | 10.04 / 255           | 9.84 / 250           | 4.76 / 121            | 5.84 lbs  | 17-43             |
| 02252616                            | 10.04 / 255           | 9.84 / 250           | 6.34 / 161            | 7.22 lbs  | 17-44             |
| 02254012                            | 15.75 / 400           | 9.84 / 250           | 4.76 / 121            | 8.04 lbs  | 17-44             |
| 02254016                            | 15.75 / 400           | 9.84 / 250           | 6.34 / 161            | 10.58 lbs | 17-45             |
| 02256012                            | 23.62 / 600           | 9.84 / 250           | 4.76 / 121            | 11.53 lbs | 17-45             |
| 02363609                            | 14.17 / 360           | 14.17 / 360          | 3.58 / 91             | 8.09 lbs  | 17-46             |
| 02414012                            | 15.75 / 400           | 15.94 / 405          | 4.76 / 121            | 12.30 lbs | 17-46             |

Note: Dimensions are external. Metric is the primary dimension. Inch conversions and weights are for the user's convenience and are for reference only. Accessories shown on drawing pages.

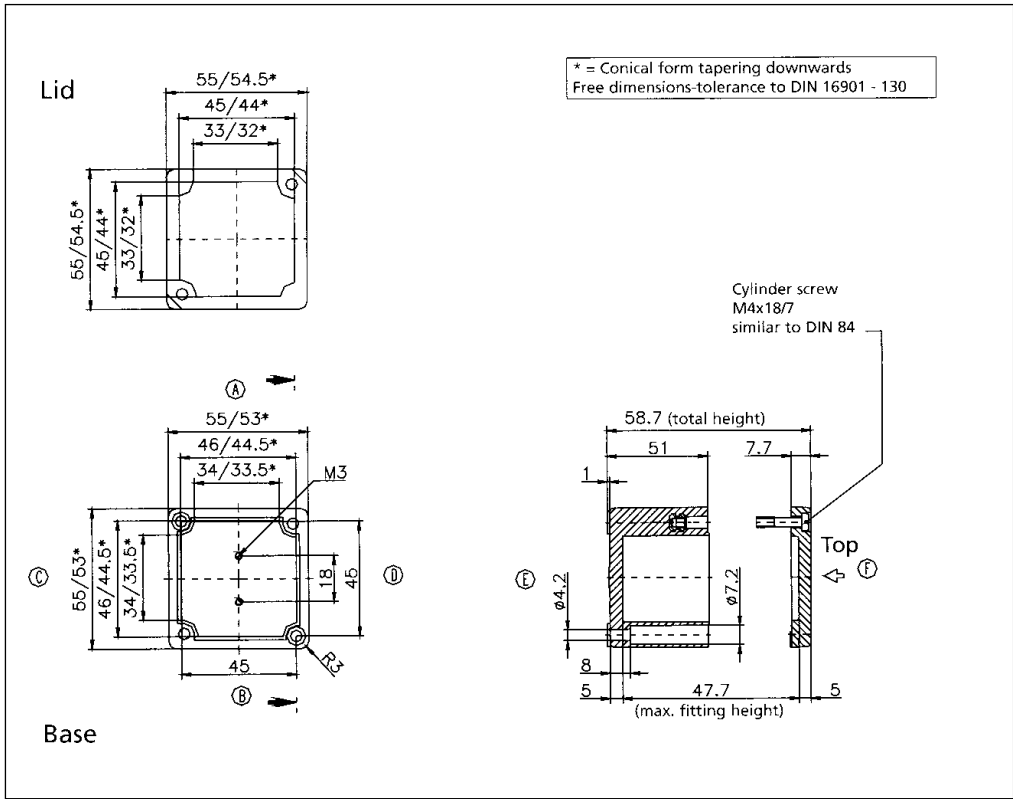


# Fiberglass Watertight

| Standard Features   |
|---|
| <ul style="list-style-type: none"> <li>• 10093131 M4x18 Stainless steel captive combo head lid screws.</li> <li>• Polyurethane gasket.</li> </ul> |
| Accessories   |
| <ul style="list-style-type: none"> <li>• 10093041 Mounting Plate screws.</li> <li>• 10091001 Allen head lid screws.</li> </ul>                    |



| Standard Features   |
|---|
| <ul style="list-style-type: none"> <li>• 10093131 M4x18 Stainless steel captive combo head lid screws.</li> <li>• Polyurethane gasket.</li> </ul> |
| Accessories   |
| <ul style="list-style-type: none"> <li>• 10093041 Mounting Plate screws.</li> <li>• 10091001 Allen head lid screws.</li> </ul>                    |

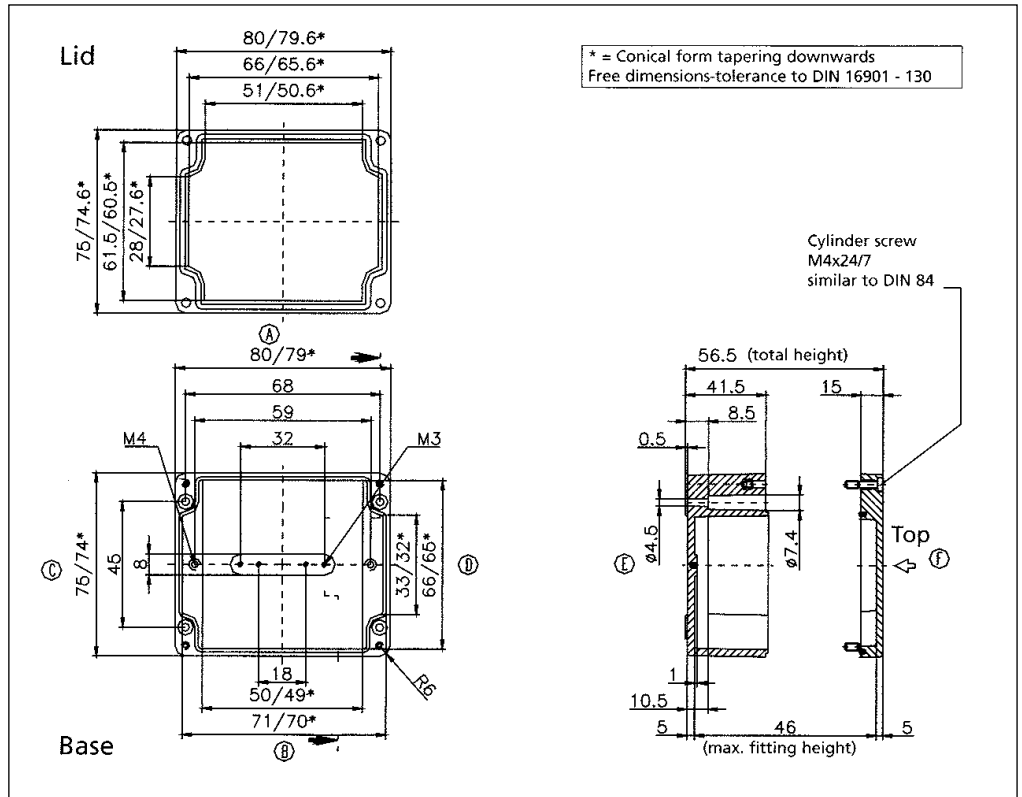




**02080806**

**External Dimensions: L 80 x W 75 x H 56 mm**

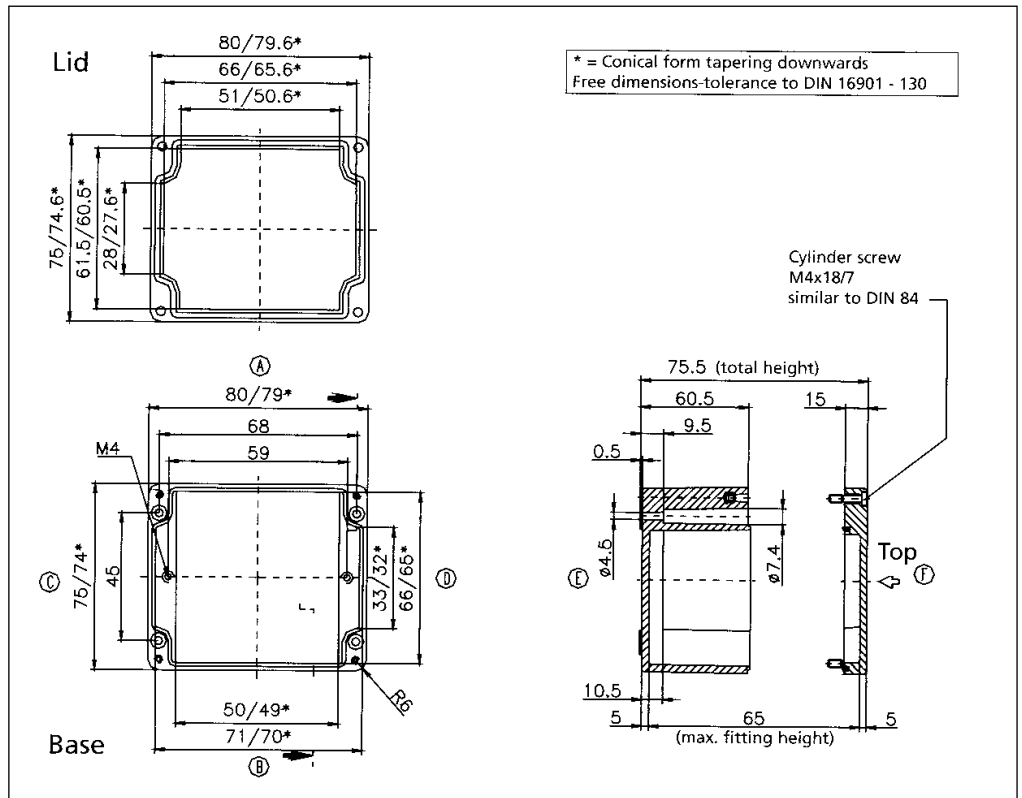
| Standard Features   |
|---|
| <ul style="list-style-type: none"> <li>• 10093132 M4x24 Stainless steel captive combo head lid screws.</li> <li>• Polyurethane gasket.</li> </ul>   |
| Accessories   |
| <ul style="list-style-type: none"> <li>• 10093041 Mounting Plate screws.</li> <li>• 10093092 Allen head lid screws.</li> <li>• 10052033 External Brackets.</li> <li>• 10061101 Terminal rail (TS 15).</li> <li>• 10089031 Mounting Plate.</li> <li>• 10082014 4mm Silicon Gasket.</li> <li>• 10082023 RFI 3.5mm Gasket (10.6" length).</li> </ul> |



**02080808**

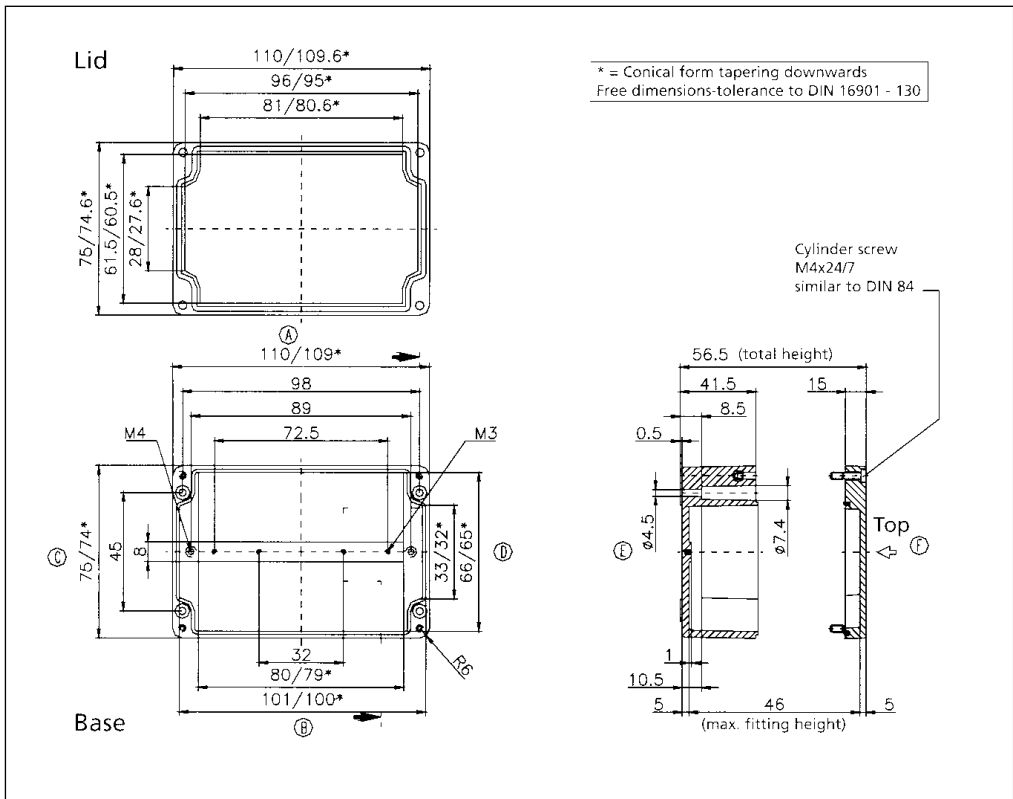
**External Dimensions: L 80 x W 75 x H 75 mm**

| Standard Features  |
|--|
| <ul style="list-style-type: none"> <li>• 10093131 M4x18 Stainless steel captive combo head lid screws.</li> <li>• Polyurethane gasket.</li> </ul>  |
| Accessories  |
| <ul style="list-style-type: none"> <li>• 10093041 Mounting Plate screws.</li> <li>• 10093092 Allen head lid screws.</li> <li>• 10052033 External Brackets.</li> <li>• 10061101 Terminal rail (TS 15).</li> <li>• 10089031 Mounting Plate.</li> <li>• 10082014 4mm Silicone gasket.</li> <li>• 10082023 3.5mm RFI Gasket (13.3" length).</li> </ul> |

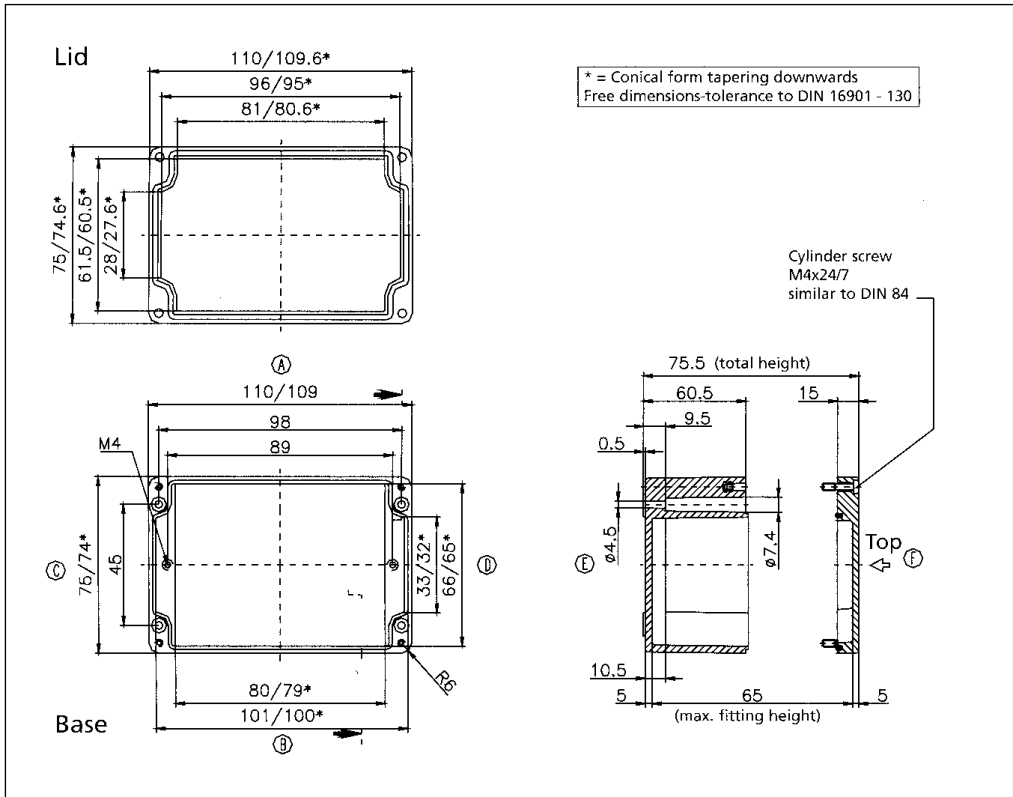


# Fiberglass Watertight

| Standard Features  |
|--|
| <ul style="list-style-type: none"> <li>• 10093133 M4x24 Stainless steel captive combo head lid screws.</li> <li>• Polyurethane gasket.</li> </ul>  |
| Accessories  |
| <ul style="list-style-type: none"> <li>• 10093041 Mounting Plate screws.</li> <li>• 10093092 Allen head lid screws.</li> <li>• 10052033 External Brackets.</li> <li>• 10061102 Terminal rail (TS 15).</li> <li>• 10089033 Mounting Plate.</li> <li>• 10082014 4mm Silicone gasket.</li> <li>• 10082023 3.5mm RFI Gasket (13.3" length).</li> </ul> |



| Standard Features  |
|--|
| <ul style="list-style-type: none"> <li>• 10093133 M4x24 Stainless steel captive combo head lid screws.</li> <li>• Polyurethane gasket.</li> </ul>  |
| Accessories  |
| <ul style="list-style-type: none"> <li>• 10093041 Mounting Plate screws.</li> <li>• 10093092 Allen head lid screws.</li> <li>• 10052033 External Brackets.</li> <li>• 10061102 Terminal rail (TS 15).</li> <li>• 10089033 Mounting Plate.</li> <li>• 10082014 4mm Silicone gasket.</li> <li>• 10082023 3.5mm RFI Gasket (13.3" length).</li> </ul> |

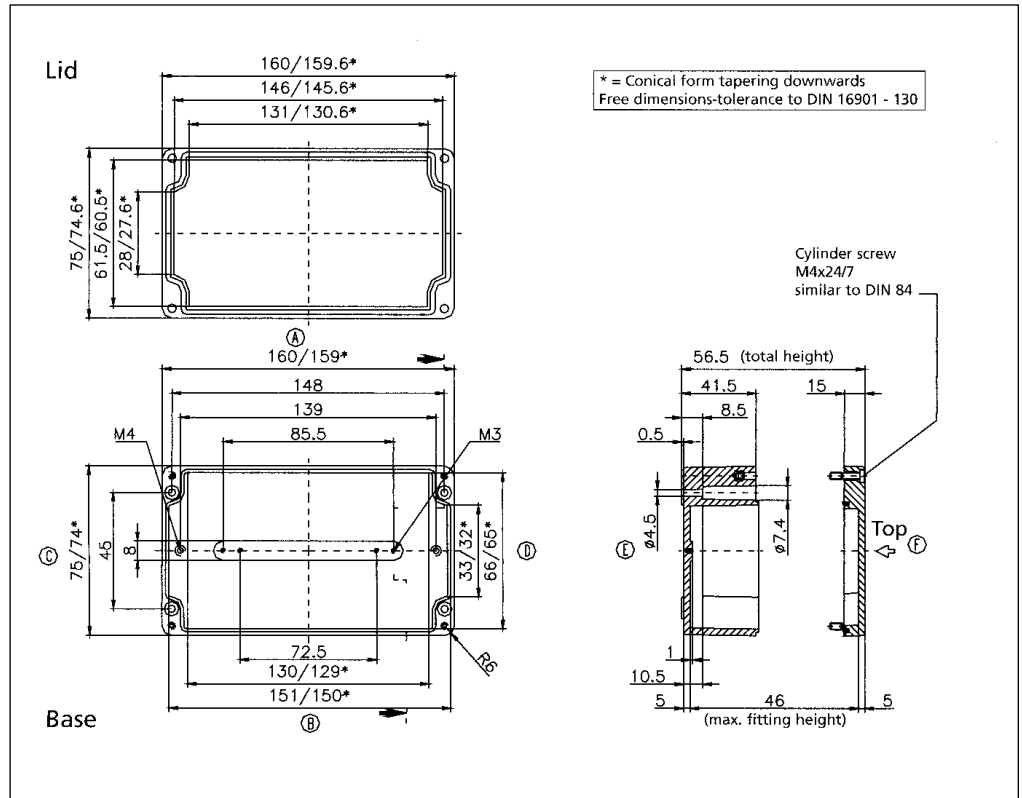




**02081606**

**External Dimensions: L 160 x W 75 x H 56 mm**

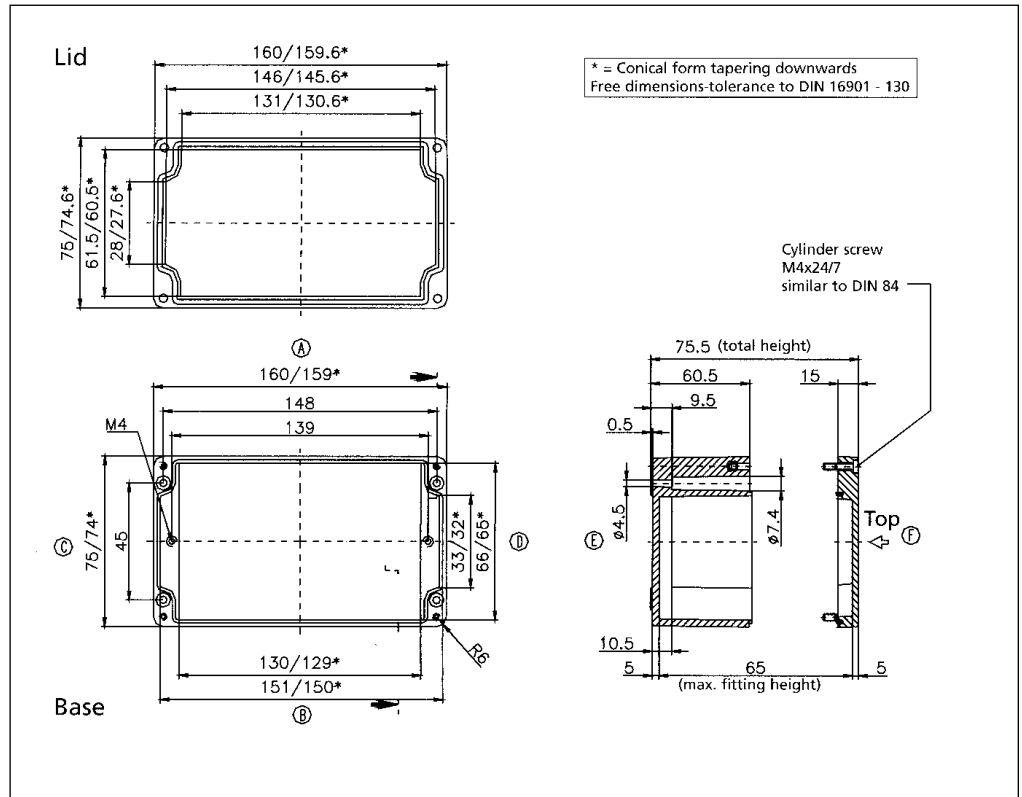
| Standard Features  |
|--|
| <ul style="list-style-type: none"> <li>• 10093133 M4x24 Stainless steel captive combo head lid screws.</li> <li>• Polyurethane gasket.</li> </ul>  |
| Accessories  |
| <ul style="list-style-type: none"> <li>• 10093041 Mounting Plate screws.</li> <li>• 10093092 Allen head lid screws.</li> <li>• 10052033 External Brackets.</li> <li>• 10061103 Terminal rail (TS 15).</li> <li>• 10089035 Mounting Plate.</li> <li>• 10082014 4mm Silicone gasket.</li> <li>• 10082023 3.5mm RFI Gasket (16.4" length).</li> </ul> |



**02081608**

**External Dimensions: L 160 x W 75 x H 75 mm**

| Standard Features  |
|--|
| <ul style="list-style-type: none"> <li>• 10093133 M4x24 Stainless steel captive combo head lid screws.</li> <li>• Polyurethane gasket.</li> </ul>  |
| Accessories  |
| <ul style="list-style-type: none"> <li>• 10093041 Mounting Plate screws.</li> <li>• 10093092 Allen head lid screws.</li> <li>• 10052033 External Brackets.</li> <li>• 10061103 Terminal rail (TS 15).</li> <li>• 10089035 Mounting Plate.</li> <li>• 10082014 4mm Silicone gasket.</li> <li>• 10082023 3.5mm RFI Gasket (16.4" length).</li> </ul> |



Dimensional Drawings

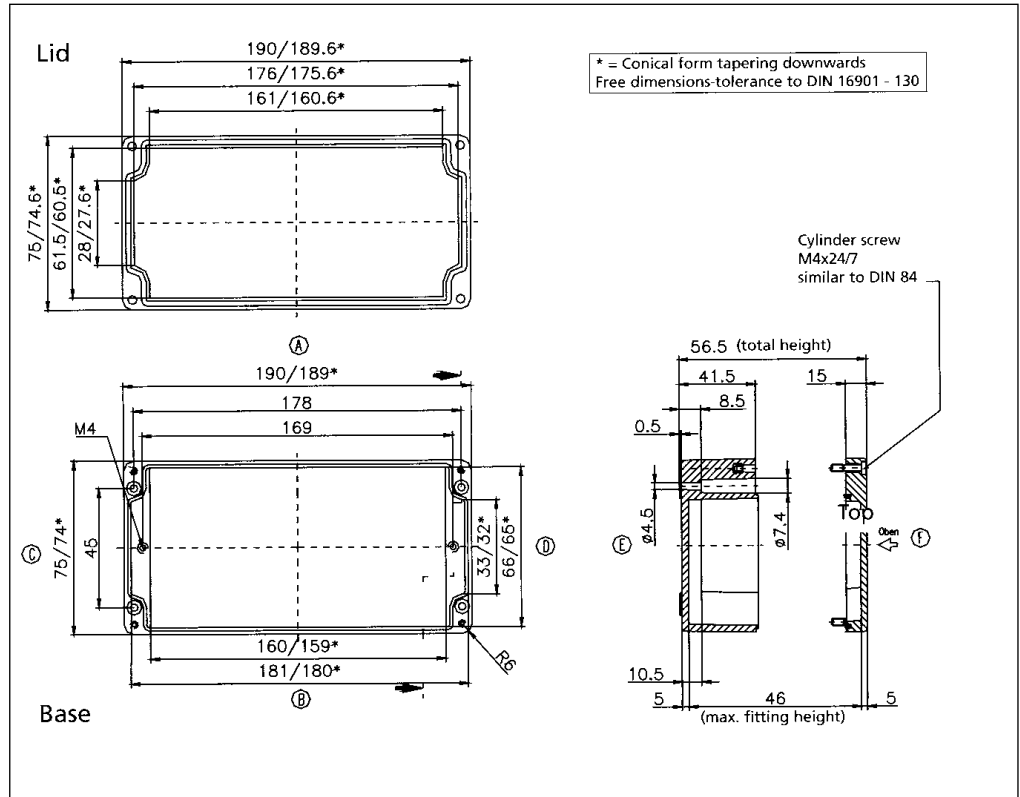
# Fiberglass Watertight

02081906

External Dimensions: L 190 x W 75 x H 56 mm

Page 1-9

| Standard Features   |
|---|
| <ul style="list-style-type: none"> <li>• 10093133 M4x24 Stainless steel captive combo head lid screws.</li> <li>• Polyurethane gasket.</li> </ul>   |
| Accessories   |
| <ul style="list-style-type: none"> <li>• 10093041 Mounting Plate screws.</li> <li>• 10091002 Allen head lid screws.</li> <li>• 10052033 External Brackets.</li> <li>• 10061104 Terminal rail (TS 15).</li> <li>• 10089037 Mounting Plate.</li> <li>• 10082014 4mm Silicone gasket.</li> <li>• 10082023 3.5mm RFI Gasket (19.25" length).</li> </ul> |

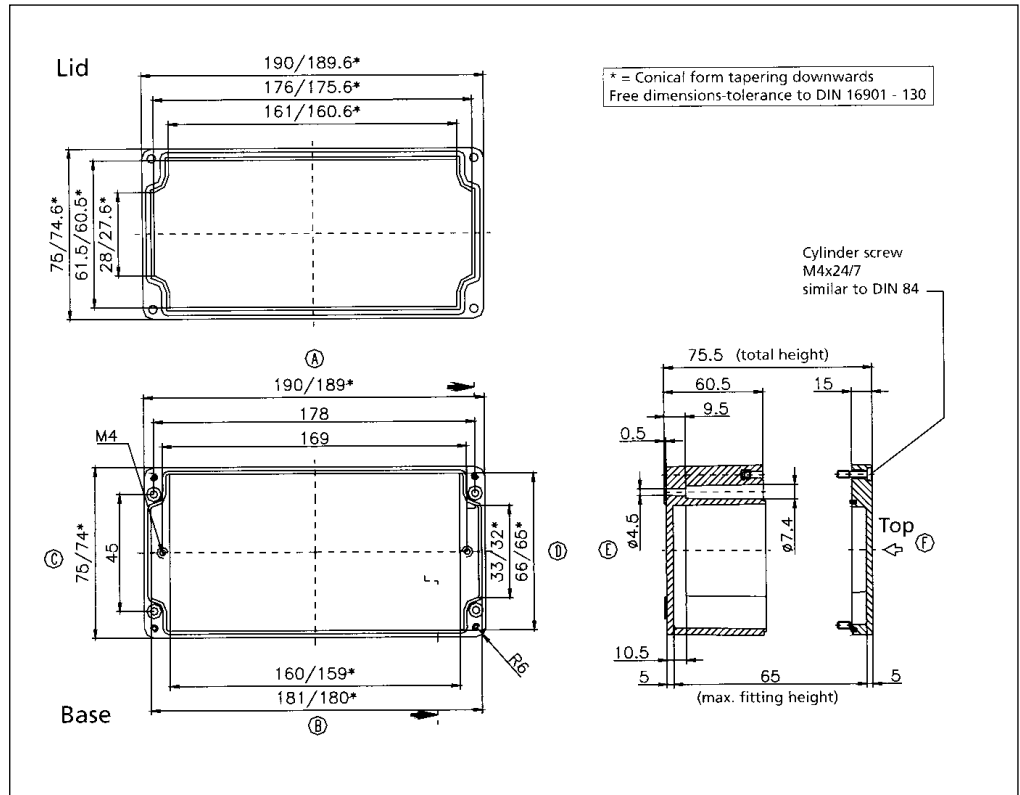


02081908

External Dimensions: L 190 x W 75 x H 75 mm

Page 1-9

| Standard Features  |
|--|
| <ul style="list-style-type: none"> <li>• 10093133 M4x24 Stainless steel captive combo head lid screws.</li> <li>• Polyurethane gasket.</li> </ul>  |
| Accessories  |
| <ul style="list-style-type: none"> <li>• 10093041 Mounting Plate screws.</li> <li>• 10091002 Allen head lid screws.</li> <li>• 10052033 External Brackets.</li> <li>• 10061104 Terminal rail (TS 15).</li> <li>• 10089037 Mounting Plate.</li> <li>• 10082014 4mm Silicone gasket.</li> <li>• 10082023 3.5mm RFI Gasket (17.7" length).</li> </ul> |



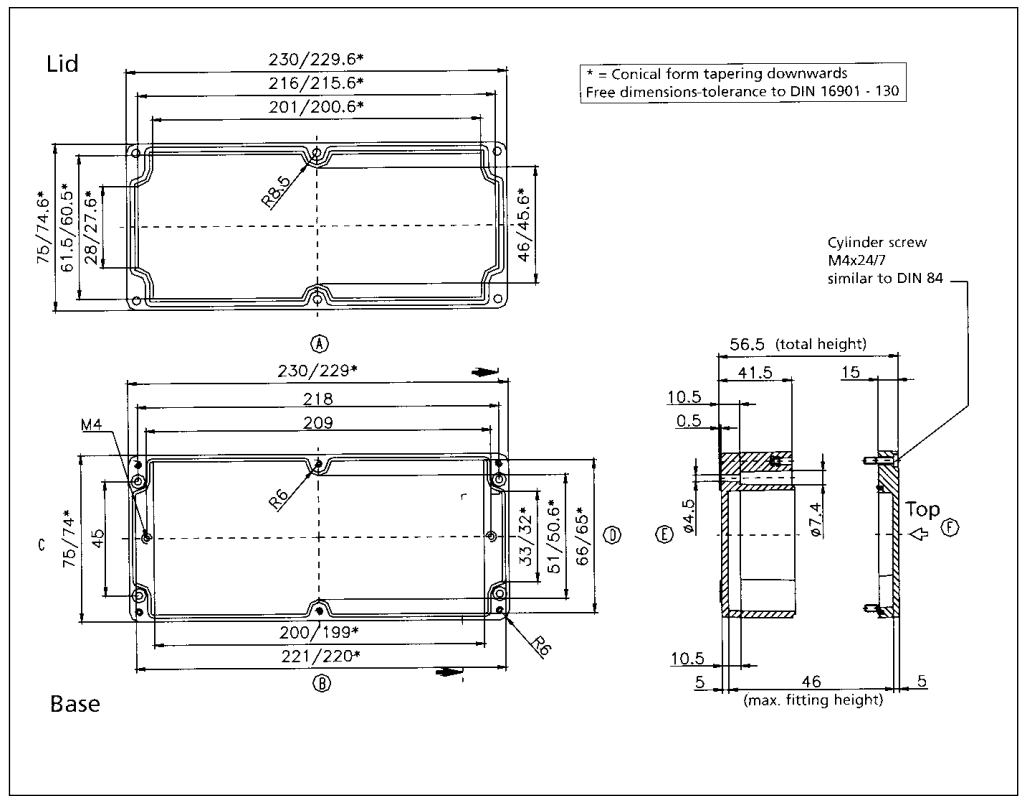


**02082306**

**External Dimensions: L 230 x W 75 x H 56 mm**

**Page 1-9**

| Standard Features  |
|--|
| <ul style="list-style-type: none"> <li>• 10093133 M4x24 Stainless steel captive combo head lid screws.</li> <li>• Polyurethane gasket.</li> </ul>  |
| Accessories  |
| <ul style="list-style-type: none"> <li>• 10093041 Mounting Plate screws.</li> <li>• 10093092 Allen head lid screws.</li> <li>• 10052033 External Brackets.</li> <li>• 10061105 Terminal rail (TS 15).</li> <li>• 10082014 4mm Silicone gasket.</li> <li>• 10082023 3.5mm RFI Gasket (23.2" length).</li> </ul> |

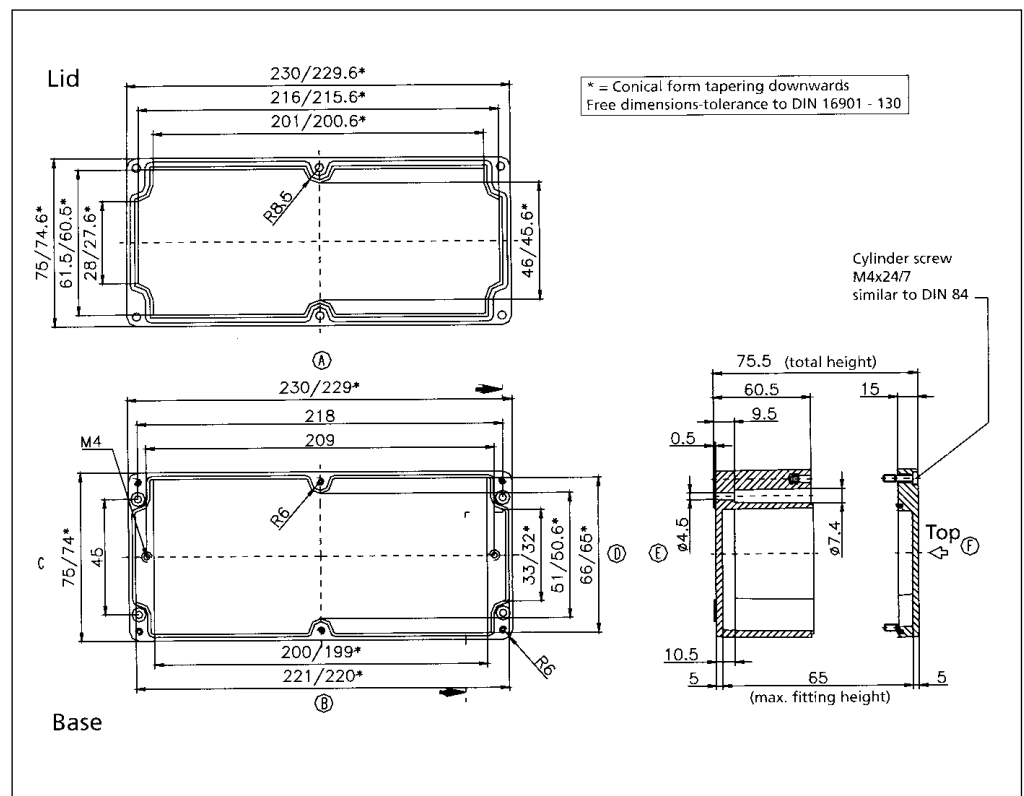


**02082308**

**External Dimensions: L 230 x W 75 x H 75 mm**

**Page 1-9**

| Standard Features  |
|--|
| <ul style="list-style-type: none"> <li>• 10093133 M4x24 Stainless steel captive combo head lid screws.</li> <li>• Polyurethane gasket.</li> </ul>  |
| Accessories  |
| <ul style="list-style-type: none"> <li>• 10093041 Mounting Plate screws.</li> <li>• 10093092 Allen head lid screws.</li> <li>• 10052033 External Brackets.</li> <li>• 10061105 Terminal rail (TS 15).</li> <li>• 10082014 4mm Silicone gasket.</li> <li>• 10082023 3.5mm RFI Gasket (23.2" length).</li> </ul> |



Dimensional Drawings

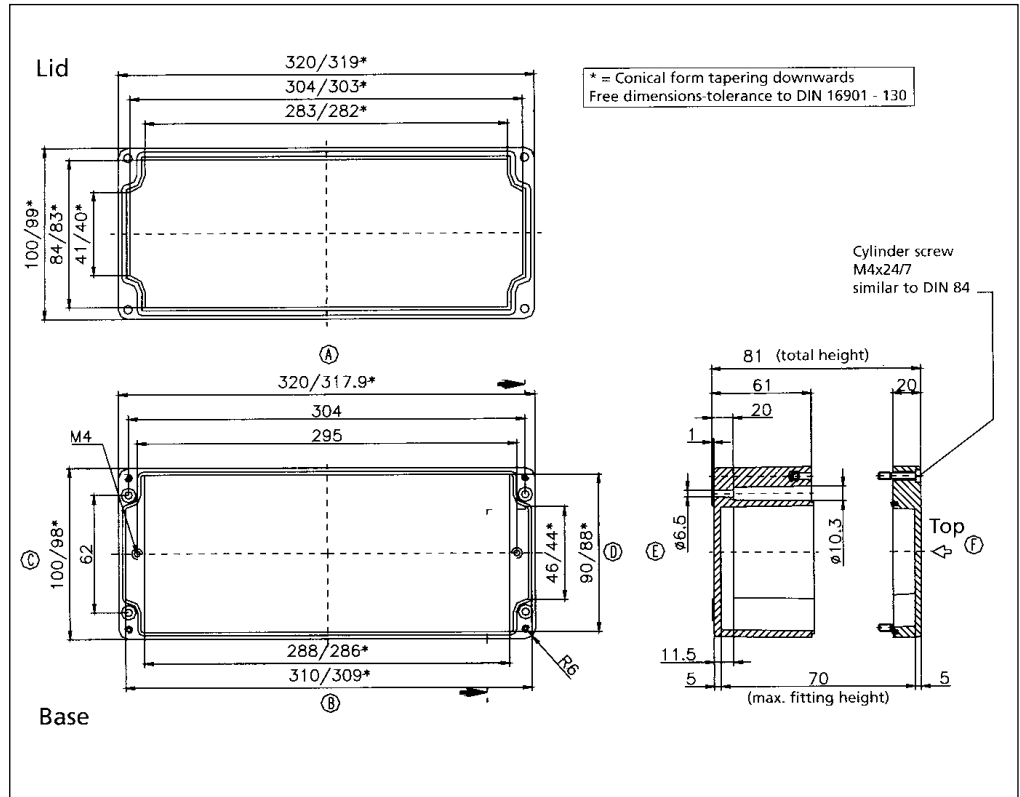
# Fiberglass Watertight

02103208

External Dimensions: L 320 x W 100 x H 81 mm

Page 1-9

| Standard Features   |
|---|
| <ul style="list-style-type: none"> <li>• 10093133 M4x24 Stainless steel captive combo head lid screws.</li> <li>• Polyurethane gasket.</li> </ul>   |
| Accessories   |
| <ul style="list-style-type: none"> <li>• 10093041 Mounting Plate screws.</li> <li>• 10093261 Allen head lid screws.</li> <li>• 10052034 External Brackets.</li> <li>• 10061106 Terminal rail (TS 15).</li> <li>• 10052101 External Hinges.</li> <li>• 10011006 Mounting Plate.</li> <li>• 10082014 4mm Silicone gasket.</li> <li>• 10082023 3.5mm RFI Gasket (33.0" length).</li> </ul> |

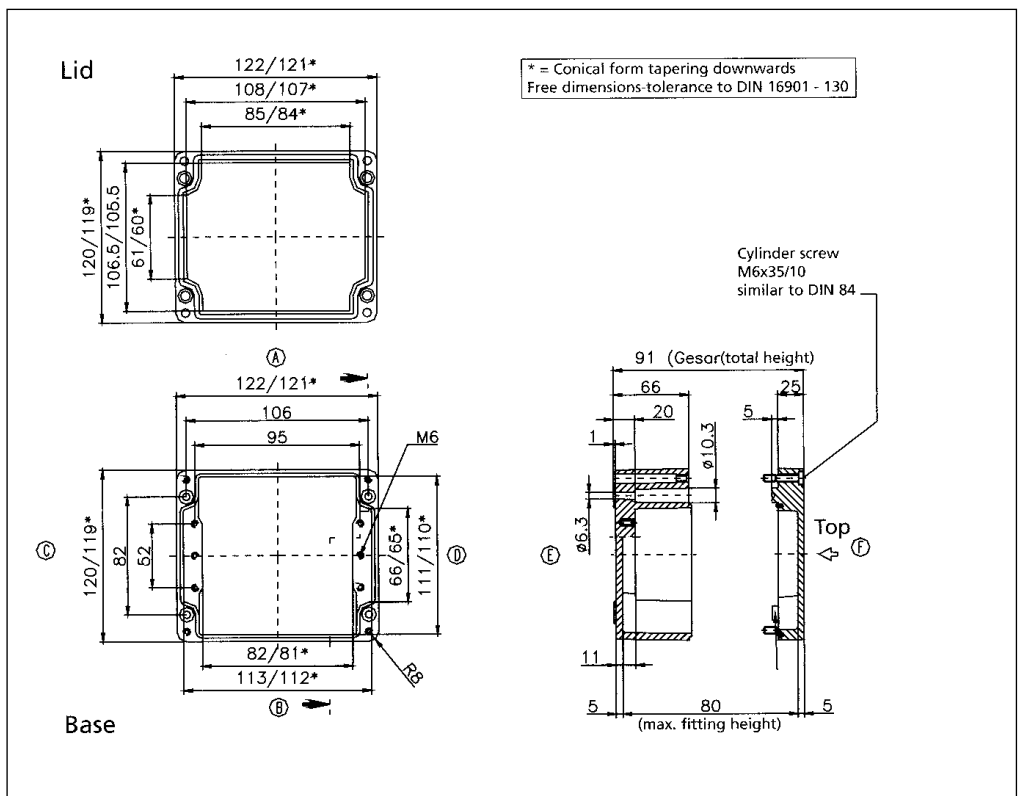


02121209

External Dimensions: L 122 x W 120 x H 91 mm

Page 1-9

| Standard Features  |
|--|
| <ul style="list-style-type: none"> <li>• 10093136 M6x35 Stainless steel captive combo head lid screws.</li> <li>• Polyurethane gasket.</li> </ul>  |
| Accessories  |
| <ul style="list-style-type: none"> <li>• 10093058 Mounting Plate screws.</li> <li>• 10093262 Allen head lid screws.</li> <li>• 10052034 External Brackets.</li> <li>• 10061401 Terminal rail (TS 32).</li> <li>• 10061421 Terminal rail (TS 35).</li> <li>• 10052101 External Hinges.</li> <li>• 10050401 Ground Strip.</li> <li>• 10089151 Mounting Plate.</li> <li>• 10082014 4mm Silicone gasket.</li> <li>• 10082023 3.5mm RFI Gasket (16.4" length).</li> </ul> |



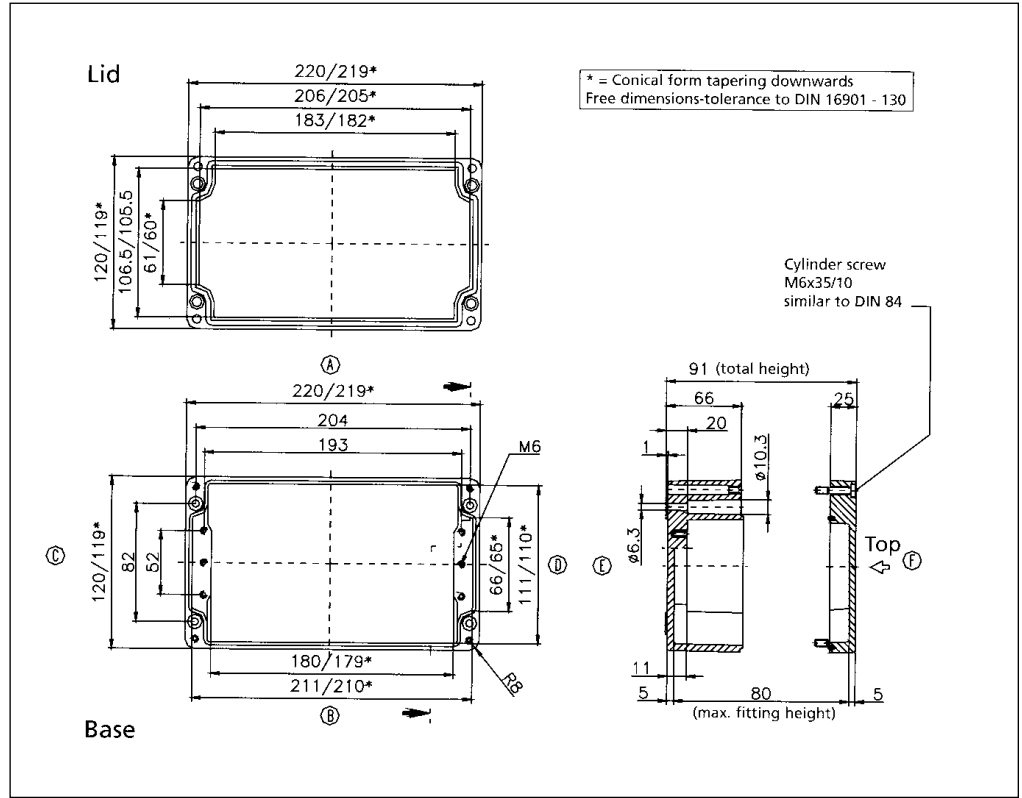


**02122209**

**External Dimensions: L 220 x W 120 x H 91 mm**

**Page 1-9**

| Standard Features  |
|--|
| <ul style="list-style-type: none"> <li>• 10093136 M6x35 Stainless steel captive combo head lid screws.</li> <li>• Polyurethane gasket.</li> </ul>  |
| Accessories  |
| <ul style="list-style-type: none"> <li>• 10093058 Mounting Plate screws.</li> <li>• 10093262 Allen head lid screws.</li> <li>• 10052034 External Brackets.</li> <li>• 10061402 Terminal rail (TS 32).</li> <li>• 10061422 Terminal rail (TS 35).</li> <li>• 10052101 External Hinges.</li> <li>• 10050402 Ground Strip.</li> <li>• 10089152 Mounting Plate.</li> <li>• 10082014 4mm Silicone gasket.</li> <li>• 10082023 3.5mm RFI Gasket (23.6" length).</li> </ul> |

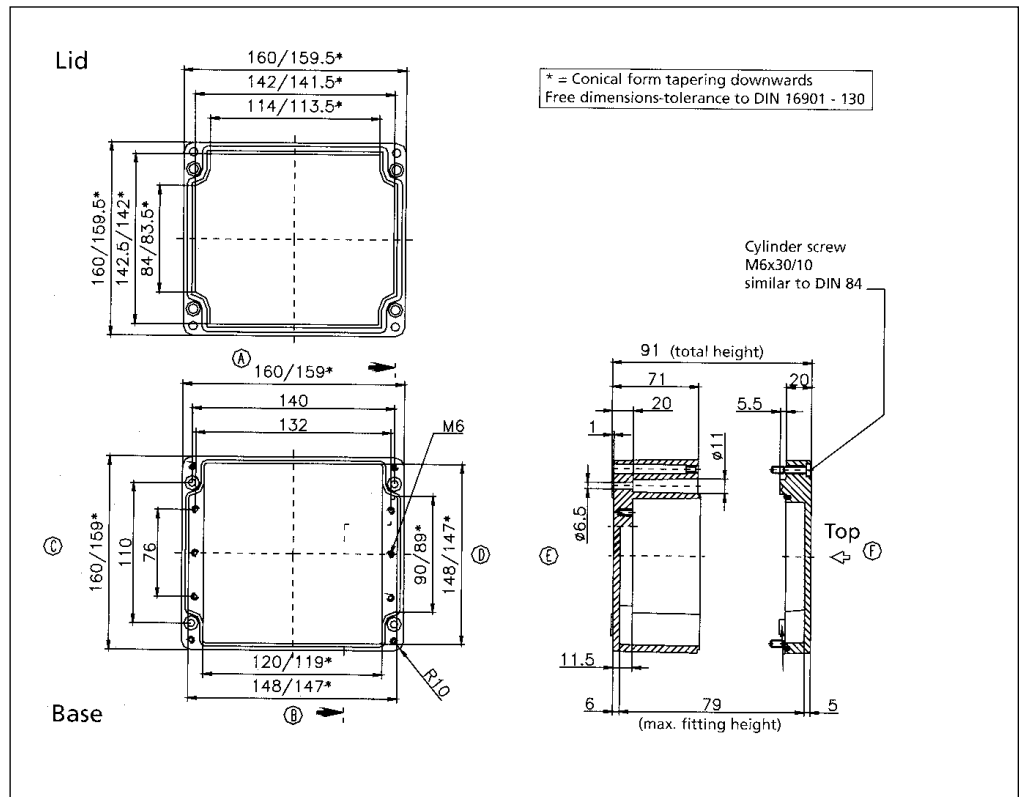


**02161609**

**External Dimensions: L 160 x W 160 x H 91 mm**

**Page 1-9**

| Standard Features  |
|--|
| <ul style="list-style-type: none"> <li>• 10093135 M6x30 Stainless steel captive combo head lid screws.</li> <li>• Polyurethane gasket.</li> </ul>  |
| Accessories  |
| <ul style="list-style-type: none"> <li>• 10093058 Mounting Plate screws.</li> <li>• 10093263 Allen head lid screws.</li> <li>• 10052034 External Brackets.</li> <li>• 10061403 Terminal rail (TS 32).</li> <li>• 10061423 Terminal rail (TS 35).</li> <li>• 10052101 External Hinges.</li> <li>• 10050404 Ground Strip.</li> <li>• 10089106 Mounting Plate.</li> <li>• 10082015 5mm Silicone gasket.</li> <li>• 10082024 4mm RFI Gasket (22.0" length).</li> </ul> |



Dimensional Drawings





**02165609**

**External Dimensions: L560 x W160 x H91 mm**

**Page 1-9**

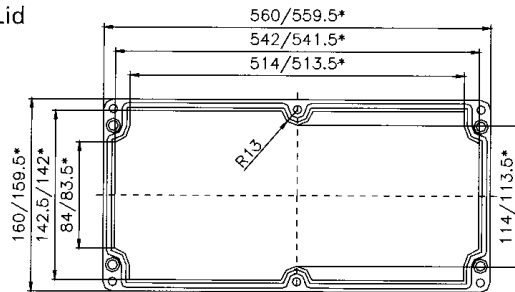
**Standard Features**

- 10093135 M6x30 Stainless steel captive combo head lid screws.
- Polyurethane gasket.

**Accessories**

- 10093058 Mounting Plate screws.
- 10093263 Allen head lid screws.
- 10052034 External Brackets.
- 10061406 Terminal rail (TS 32).
- 10061426 Terminal rail (TS 35).
- 10052101 External Hinges.
- 10050407 Ground Strip.
- 10089109 Mounting Plate.
- 10082015 5mm Silicone gasket.
- 10082024 4mm RFI Gasket (54.7" length).

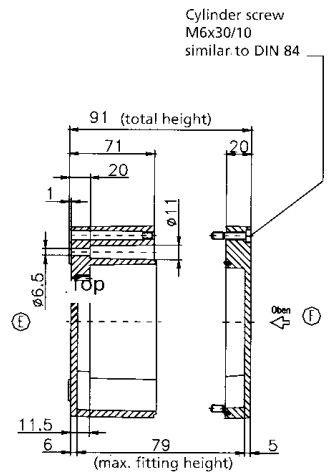
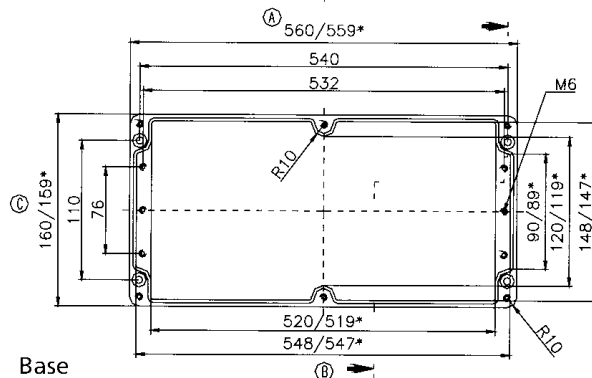
Lid



\* = Conical form tapering downwards  
Free dimensions-tolerance to DIN 16901 - 130

160/159.5\*  
142.5/142\*  
8\*/83.5\*  
114/113.5\*

Base



**02252612**

**External Dimensions: L 255 x W 250 x H 121 mm**

**Page 1-9**

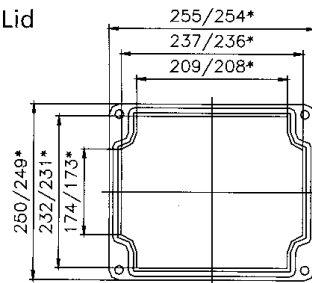
**Standard Features**

- 10093136 M6x35 Stainless steel captive comb head lid screws.
- Polyurethane gasket.

**Accessories**

- 10093058 Mounting Plate screws.
- 10093262 Allen head lid screws.
- 10052034 External Brackets.
- 10061414 Terminal rail (TS 32).
- 10061434 Terminal rail (TS 35).
- 10052101 External Hinges.
- 10050405 Ground Strip.
- 10089141 Mounting Plate.
- 10082015 5mm Silicone gasket.
- 10082024 4mm RFI Gasket (35.0" length).

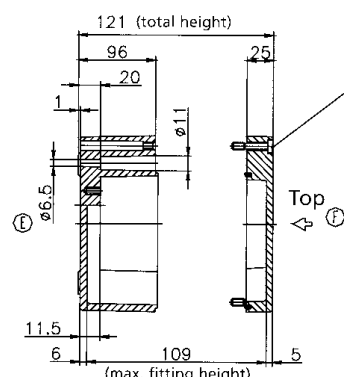
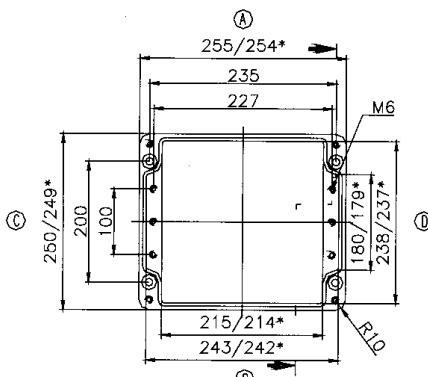
Lid



\* = Conical form tapering downwards  
Free dimensions-tolerance to DIN 16901 - 130

250/249\*  
232/231\*  
174/173\*  
250/249\*

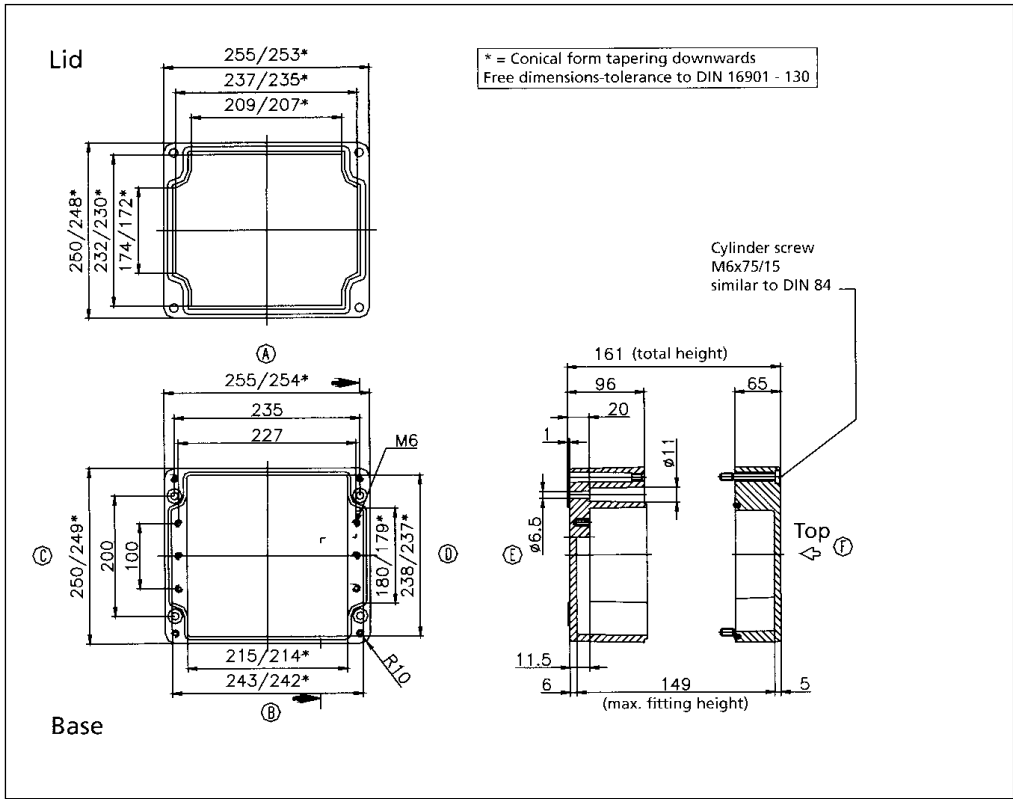
Base



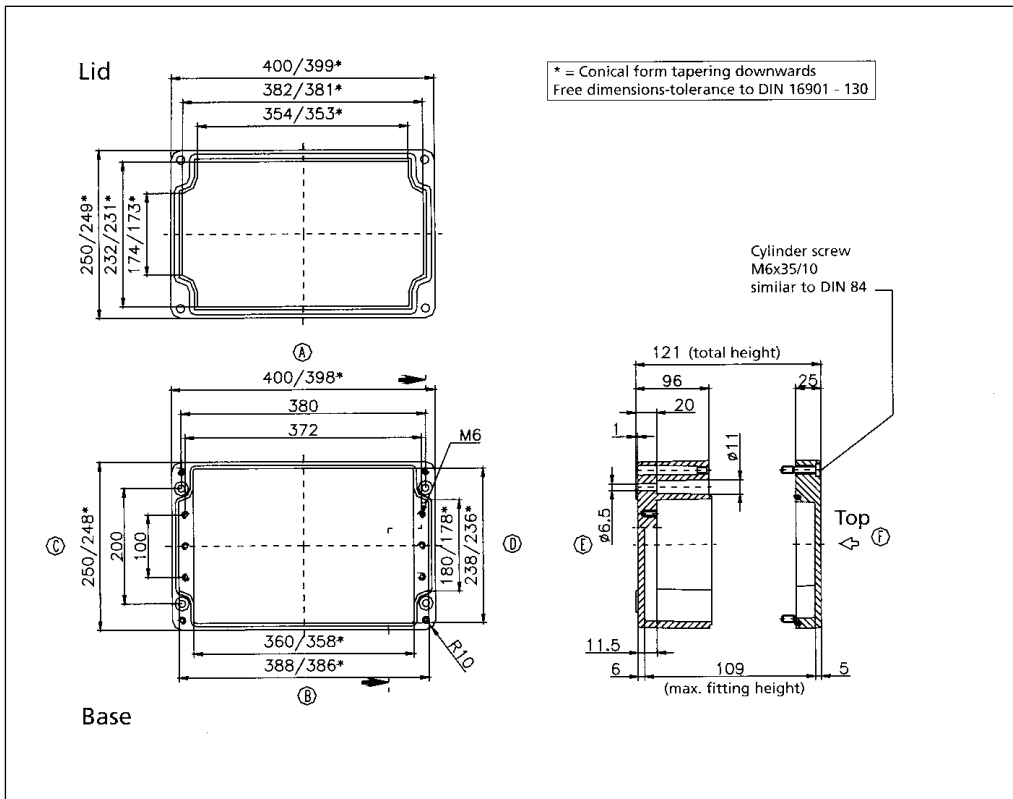
Dimensional Drawings

# Fiberglass Watertight

| Standard Features  |
|--|
| <ul style="list-style-type: none"> <li>• 10093070 M6x75 Stainless steel captive combo head lid screws.</li> <li>• Polyurethane gasket.</li> </ul>  |
| Accessories  |
| <ul style="list-style-type: none"> <li>• 10093058 Mounting Plate screws.</li> <li>• 10091006 Allen head lid screws.</li> <li>• 10052034 External Brackets.</li> <li>• 10061414 Terminal rail (TS 32).</li> <li>• 10061434 Terminal rail (TS 35).</li> <li>• 10052101 External Hinges.</li> <li>• 10050405 Ground Strip.</li> <li>• 10089141 Mounting Plate.</li> <li>• 10082015 5mm Silicone gasket.</li> <li>• 10082024 4mm RFI Gasket (35.0" length).</li> </ul> |



| Standard Features  |
|--|
| <ul style="list-style-type: none"> <li>• 10093136 M6x35 Stainless steel captive combo head lid screws.</li> <li>• Polyurethane gasket.</li> </ul>  |
| Accessories  |
| <ul style="list-style-type: none"> <li>• 10093058 Mounting Plate screws.</li> <li>• 10093262 Allen head lid screws.</li> <li>• 10052034 External Brackets.</li> <li>• 10061407 Terminal rail (TS 32).</li> <li>• 10061427 Terminal rail (TS 35).</li> <li>• 10052101 External Hinges.</li> <li>• 10050411 Ground Strip.</li> <li>• 10089143 Mounting Plate.</li> <li>• 10082015 5mm Silicone gasket.</li> <li>• 10082024 4mm RFI Gasket (46.9" length).</li> </ul> |





**02254016**

**External Dimensions: L 400 x W 250 x H 161 mm**

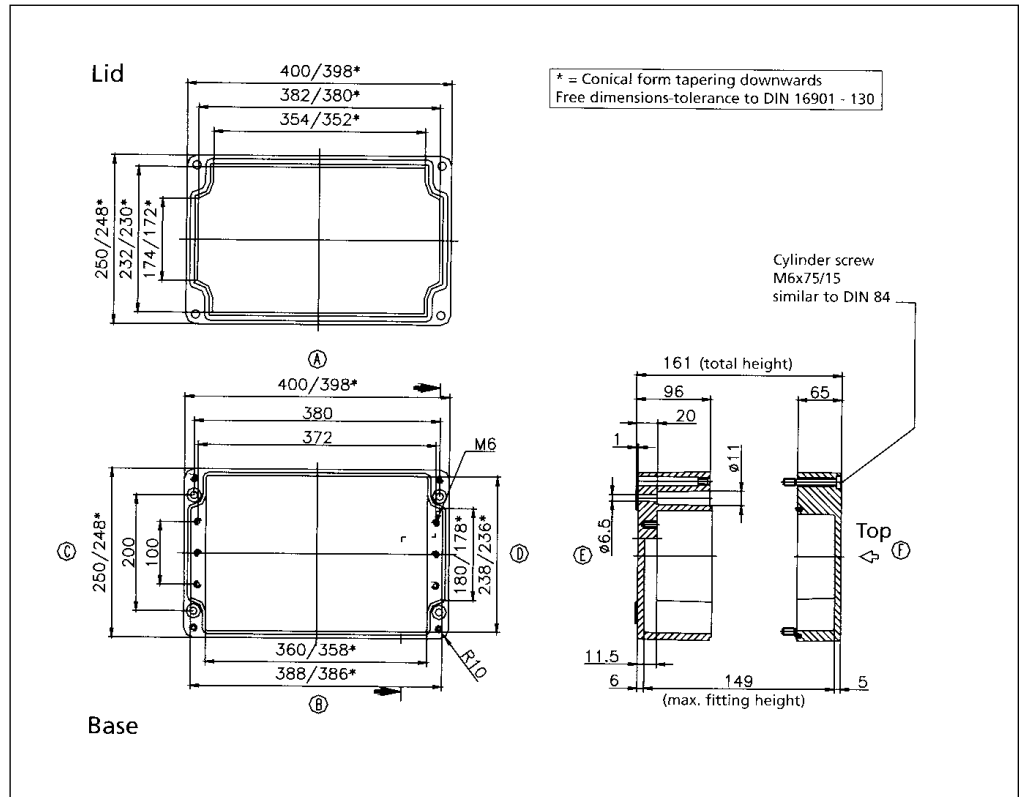
**Page 1-9**

**Standard Features**

- 10093070 M6x75 Stainless steel captive combo head lid screws.
- Polyurethane gasket.

**Accessories**

- 10093058 Mounting Plate screws.
- 10091006 Allen head lid screws.
- 10052034 External Brackets.
- 10061407 Terminal rail (TS 32).
- 10061427 Terminal rail (TS 35).
- 10052101 External Hinges.
- 10050411 Ground Strip.
- 10089143 Mounting Plate.
- 10082015 5mm Silicone gasket.
- 10082024 4mm RFI Gasket (46.9" length).



**02256012**

**External Dimensions: L 600 x W 250 x H 121 mm**

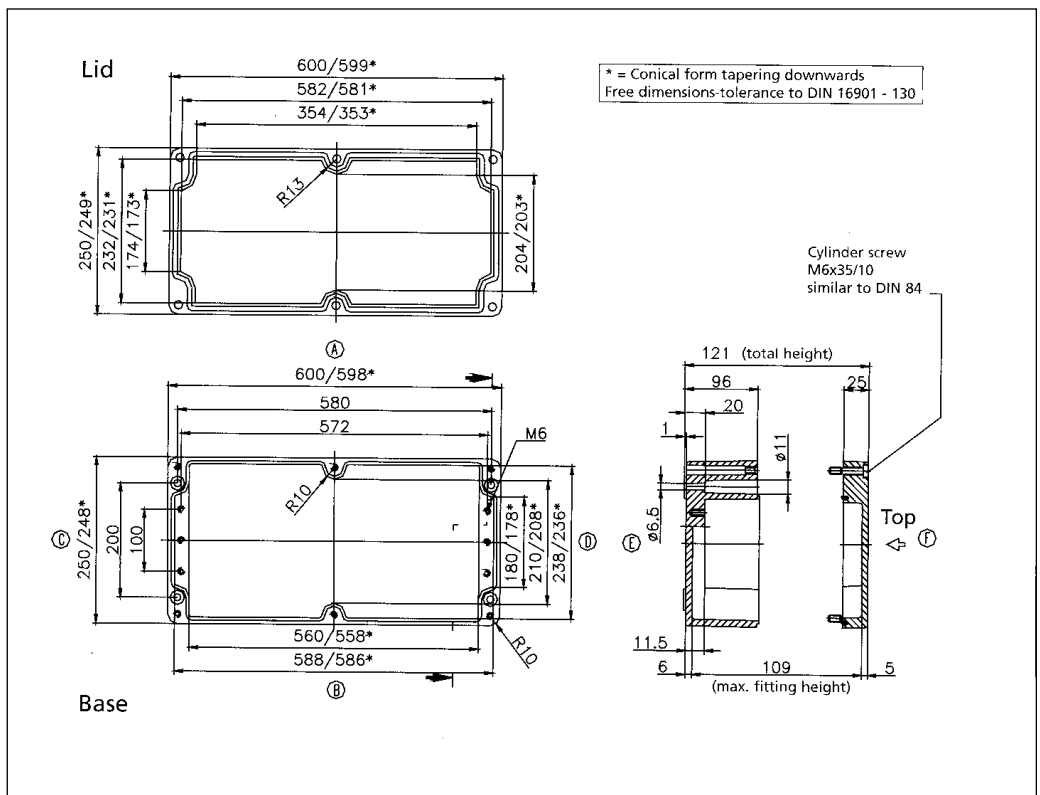
**Page 1-9**

**Standard Features**

- 10093136 M6x35 Stainless steel captive combo head lid screws.
- Polyurethane gasket.

**Accessories**

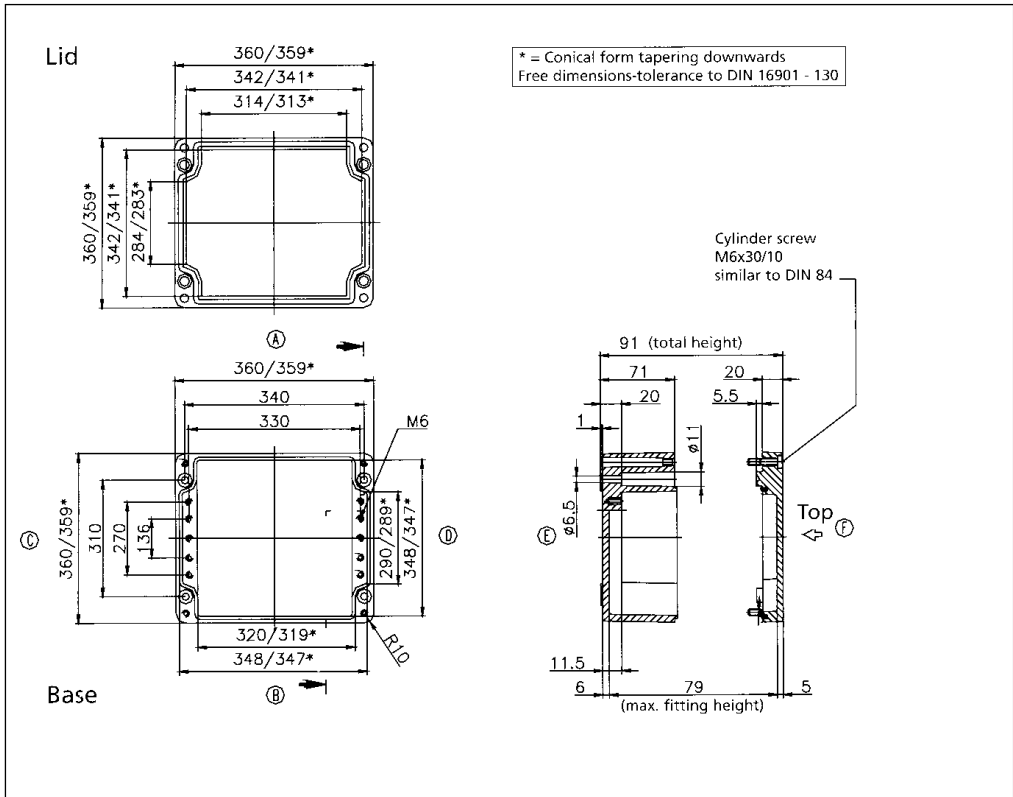
- 10093058 Mounting Plate screws.
- 10093262 Allen head lid screws.
- 10052034 External Brackets.
- 10061408 Terminal rail (TS 32).
- 10061428 Terminal rail (TS 35).
- 10052101 External Hinges.
- 10050412 Ground Strip.
- 10089144 Mounting Plate.
- 10082015 5mm Silicone gasket.
- 10082014 4mm RFI Gasket (59.8" length).



Dimensional Drawings

# Fiberglass Watertight

| Standard Features  |
|--|
| <ul style="list-style-type: none"> <li>• 10093135 M6x30 Stainless steel captive combo head lid screws.</li> <li>• Polyurethane gasket.</li> </ul>  |
| Accessories  |
| <ul style="list-style-type: none"> <li>• 10093058 Mounting Plate screws.</li> <li>• 10093263 Allen head lid screws.</li> <li>• 10052034 External Brackets.</li> <li>• 10061405 Terminal rail (TS 32).</li> <li>• 10061425 Terminal rail (TS 35).</li> <li>• 10052101 External Hinges.</li> <li>• 10050406 Ground Strip.</li> <li>• 10089145 Mounting Plate.</li> <li>• 10082015 5mm Silicone gasket.</li> <li>• 10082014 4mm RFI Gasket (53.5" length).</li> </ul> |



| Standard Features  |
|--|
| <ul style="list-style-type: none"> <li>• 10093135 M6x30 Stainless steel captive combo head lid screws.</li> <li>• Polyurethane gasket.</li> </ul>  |
| Accessories  |
| <ul style="list-style-type: none"> <li>• 10093058 Mounting Plate screws.</li> <li>• 10093263 Allen head lid screws.</li> <li>• 10052034 External Brackets.</li> <li>• 10061407 Terminal rail (TS 32).</li> <li>• 10061427 Terminal rail (TS 35).</li> <li>• 10052101 External Hinges.</li> <li>• 10050411 Ground Strip.</li> <li>• 10089146 Mounting Plate.</li> <li>• 10082015 5mm Silicone gasket.</li> <li>• 10082014 4mm RFI Gasket (58.3" length).</li> </ul> |

