



**ROSE+BOPLA**  
ENCLOSURES

A PHOENIX MECANO COMPANY

# Polymas Watertight PK Enclosures Product Drawings Last Updated 6/18/2008

Rose+Bopla Enclosures  
7330 Executive Way  
Frederick, MD 21704  
[www.rose-bopla.com](http://www.rose-bopla.com)  
[rbinfo@pm-usa.com](mailto:rbinfo@pm-usa.com)

*Dimensional Drawings*

*For Secondary Services, Product Support, or To Order, Call 1-301-696-9800*

Rose+Bopla's **Polymas Watertight** enclosures are designed to provide improved oil and petro-chemical resistant properties over Polycarbonate and ABS enclosures, at a lower cost than our

## Polymas Watertight Enclosures

Fiberglass enclosures. The Polymas Watertight enclosures are made of glass filled polyamide which makes them heat-stabilized. These enclosures are offered in two versions: standard enclosures and enclosures featuring ¼ turn lid screws\*. They can also be special ordered with molded-in cable grips.

The Polymas Watertight enclosure includes a molded lid, stainless steel captive lid screws, neoprene gasket, and a Polymas base with molded-in bosses for printed circuit boards and mounting boss holes for terminal block rails.

Polymas Watertight Enclosures						
Model Number	Part Number	Length (Inches/mm)	Width (Inches/mm)	Height (Inches/mm)	Weight	Drawing Page #
PK 101	38101000	2.28 / 58	2.52 / 64	1.34 / 34	.14 lbs	17-85
PK 102	38102000	3.86 / 98	2.52 / 64	1.34 / 34	.21 lbs	17-85
PK 105	38105000	2.95 / 75	3.15 / 80	2.24 / 57	.30 lbs	17-86
PK 110	38110000	4.92 / 125	3.15 / 80	2.24 / 57	.42 lbs	17-86
PK 115	38115000	6.89 / 175	3.15 / 80	2.24 / 57	.56 lbs	17-87

Polymas Watertight Enclosures With 1/4 Turn Lid Screw						
Model Number	Part Number	Length (Inches/mm)	Width (Inches/mm)	Height (Inches/mm)	Weight	Drawing Page #
PK 101 SV	38101500	2.28 / 58	2.52 / 64	1.34 / 34	.14 lbs	17-85
PK 102 SV	38102500	3.86 / 98	2.52 / 64	1.34 / 34	.21 lbs	17-85
PK 105 SV	38105000	2.95 / 75	3.15 / 80	2.24 / 57	.30 lbs	17-86
PK 110 SV	38110500	4.92 / 125	3.15 / 80	2.24 / 57	.42 lbs	17-86
PK 115 SV	38115500	6.89 / 175	3.15 / 80	2.24 / 57	.56 lbs	17-87

Note: Dimensions are external. Metric is the primary dimension. Inch conversions and weights are for the user's convenience and are for reference only. Accessories shown on drawing page.



Standard Polymas Watertight Enclosure and Special Polymas with molded-in special order cable grips.

### TECHNICAL DATA:

- Color: Light Gray (RAL 7001) is standard.
- Material: Polymas material: 30% glass filled, UV stabilized.
- Flammability: Self-extinguishing UL 94 HB / 1.6.
- Gasket Temperature Range:
  - Neoprene Gasket -40°F to +212°F
  - Silicone Gasket -76°F to +266°F
- Protection Classifications:
  - NEMA Types: Up to Nema 12
  - IP 65/DIN EN 60529
- Captive Stainless Steel Lid screws.



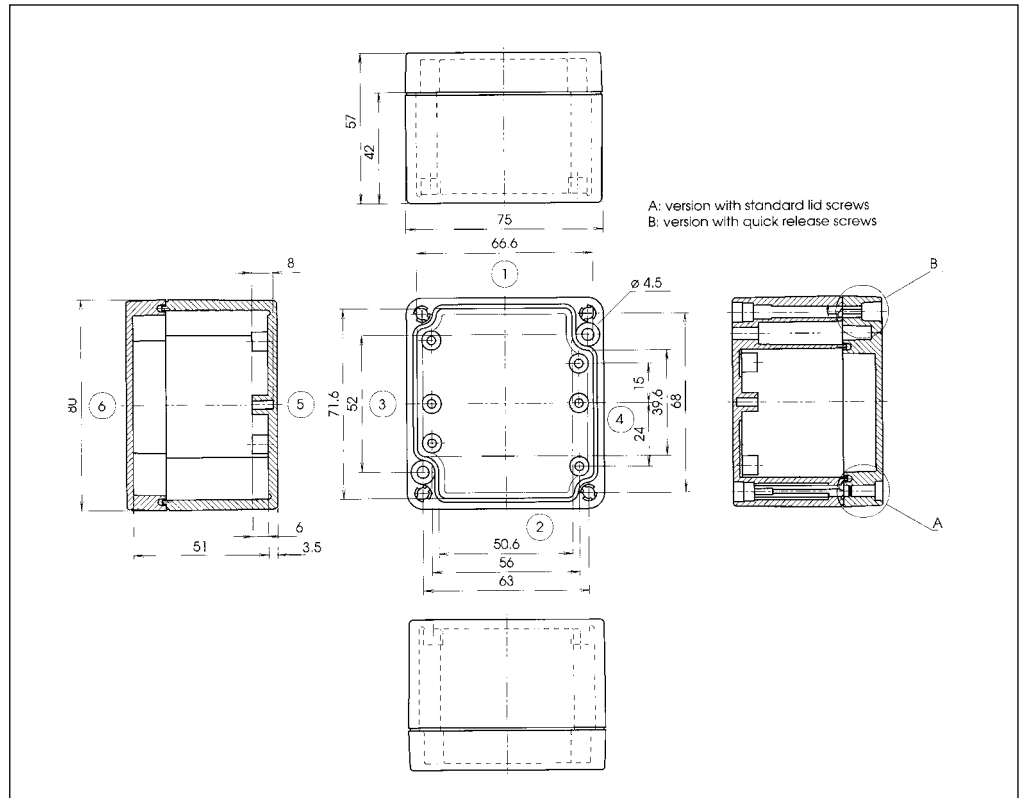
# Polymas Watertight

## PK 105 / 105 SV

External Dimensions: L 75 x W 80 x H 57 mm

Page 1-13

Standard Features
<ul style="list-style-type: none"> <li>• 10093050 M4x24 Stainless steel slot-head screws</li> <li>• 10082002 2.7mm neoprene gasket</li> </ul>
Accessories
<ul style="list-style-type: none"> <li>• 10082013 3.3mm Silicone Gasket</li> <li>• 10082021 2.62mm RFI gasket (9.6" length)</li> <li>• 10019903 Mounting plate</li> <li>• 10061226 Terminal rails (TS 15)</li> </ul>

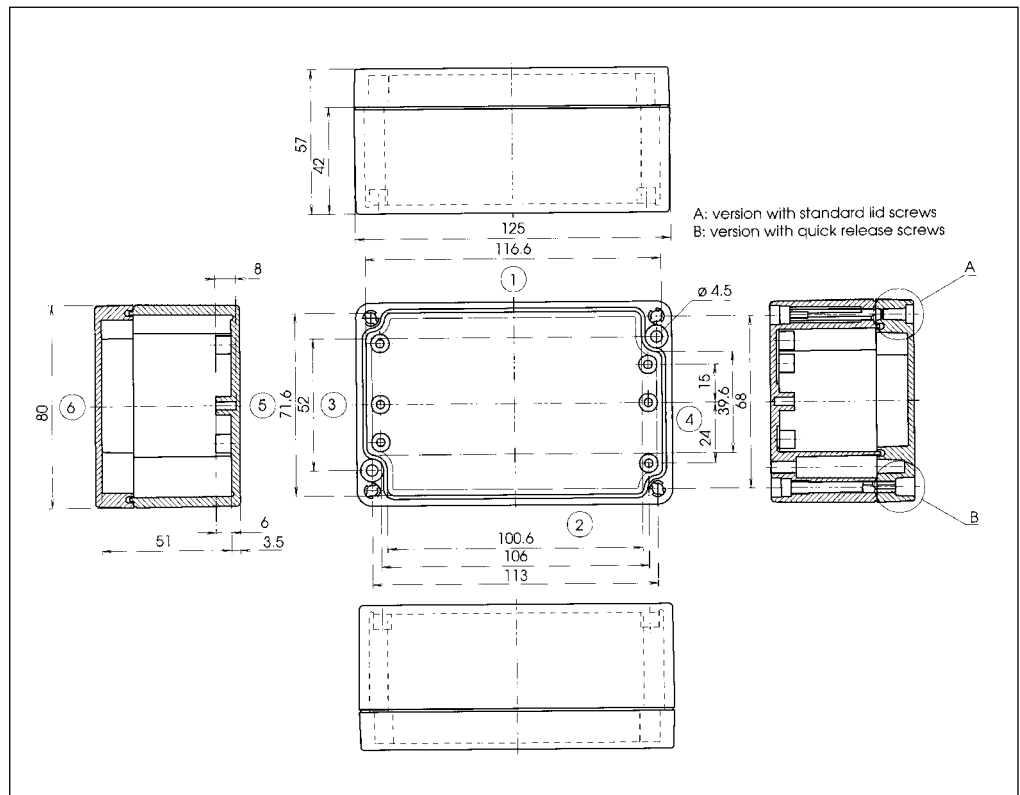


## PK 110 / 110 SV

External Dimensions: L125 x W 80 x H 57 mm

Page 1-13

Standard Features
<ul style="list-style-type: none"> <li>• 10093050 M4x25 Stainless steel slot-head screws</li> <li>• 10082002 2.7mm neoprene gasket</li> </ul>
Accessories
<ul style="list-style-type: none"> <li>• 10082013 3.3mm Silicone Gasket</li> <li>• 10082021 2.62mm RFI gasket (12.20" length)</li> <li>• 10019904 Mounting plate</li> <li>• 10061227 Terminal rail (TS 15)</li> </ul>



**PK 115**

**External Dimensions: L 175 x W 80 x H 57 mm**

**Page 1-13**

Standard Features
<ul style="list-style-type: none"> <li>• 10093050 M4x25 Stainless steel slot-head screws</li> <li>• 10082002 2.7mm neoprene gasket</li> </ul>
Accessories
<ul style="list-style-type: none"> <li>• 10082013 3.3mm Silicone Gasket</li> <li>• 10082021 2.62mm RFI gasket (16.14" length)</li> <li>• 10019905 Mounting plate</li> <li>• 10061228 Terminal rail (TS 15)</li> </ul>

