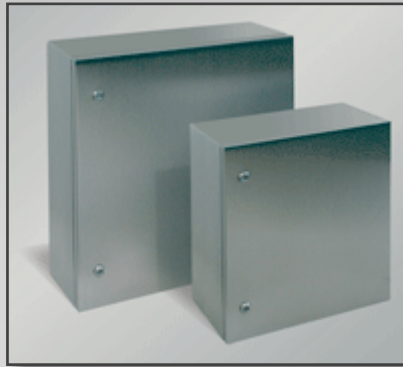


# KSS Small Stainless Steel Cabinets

Switch Gear Cabinets with Hinged Door



For Finishing Services, Product Support, or to Order

Call 1-301-696-9800

- Switch gear cabinets with hinged door
- Mounting plate attachment above stud bolts / threaded weld nuts
- Surface grinded all sides (240 grain)
- Optional individual sizes and versions from 25 pcs.

### Including in delivery:

Enclosure system with door, double ward lock, 1 x M6 threaded stud bolts in cover and 4 x M6 threaded weld nuts in base.



## Technical Data

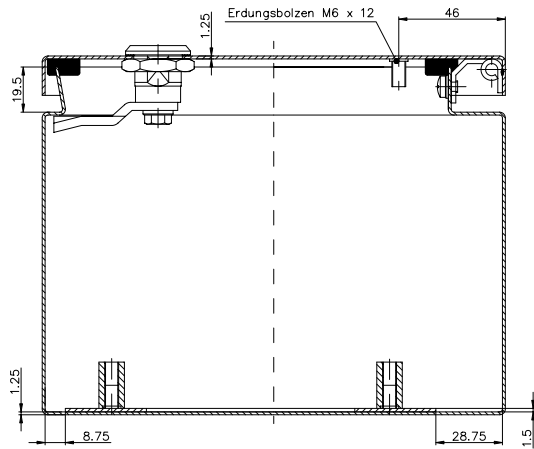
Material	stainless steel 1.25 mm or 1.5 mm; 1.4301 / 304
Ingress protection	IP 66 to EN 60529
Seal	VMQ (silicone) EMC on request
Surface	grinded, 240 grain
Temperature range	-40°C to +80°C other temperature ranges on request

## Programme range

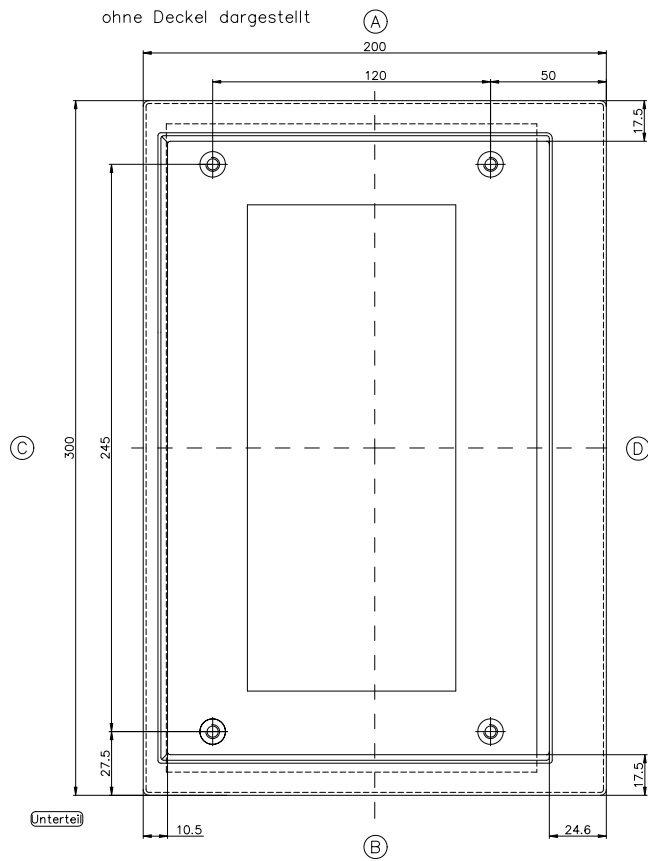
Order No.	Dimensions (mm)	Number of locks
	L x W x H	
<b>37.01 23 15</b>	200 x 300 x 155	1
<b>37.01 34 21</b>	300 x 380 x 210	1
<b>37.01 43 15</b>	400 x 300 x 155	1
<b>37.01 46 21</b>	380 x 600 x 210	2
<b>37.01 55 21</b>	500 x 500 x 210	2
<b>37.01 64 15</b>	600 x 400 x 155	1
<b>37.01 68 21</b>	600 x 760 x 210	4
<b>37.01 99 00</b>	Special dimensions	

## Accessories

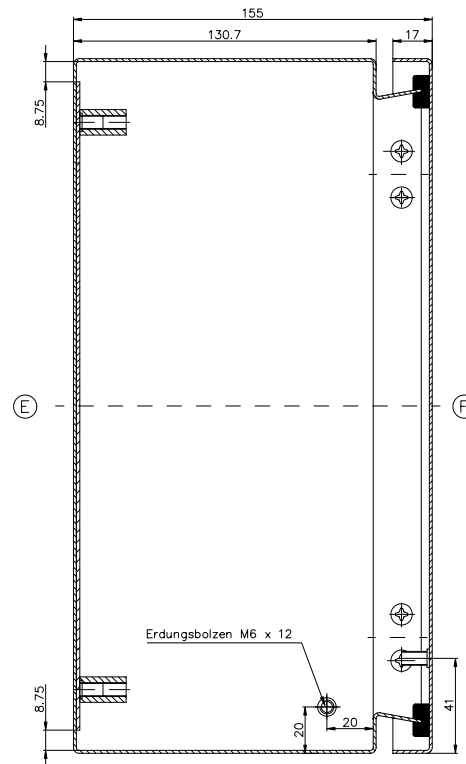
	Order No.
Mounting plate for 37.01 23 15	<b>37.01 99 01</b>
Mounting plate for 37.01 34 21	<b>37.01 99 02</b>
Mounting plate for 37.01 43 15	<b>37.01 99 03</b>
Mounting plate for 37.01 46 21	<b>37.01 99 04</b>
Mounting plate for 37.01 55 21	<b>37.01 99 05</b>
Mounting plate for 37.01 64 15	<b>37.01 99 06</b>
Mounting plate for 37.01 68 21	<b>37.01 99 07</b>



ohne Deckel dargestellt

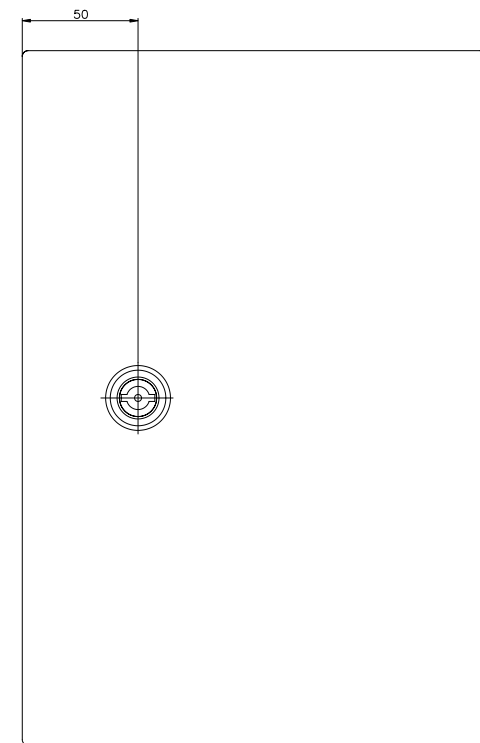


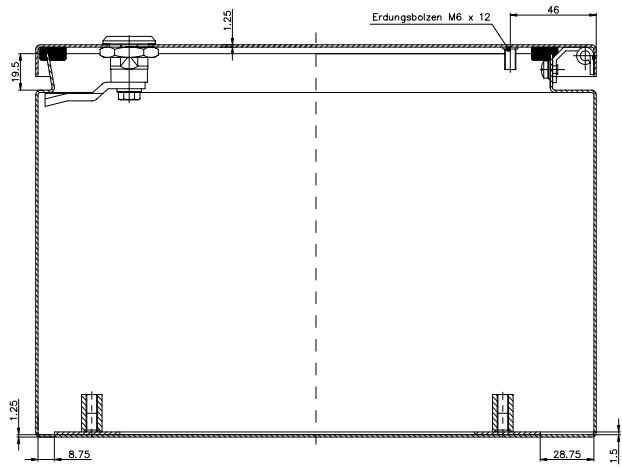
Unterteil



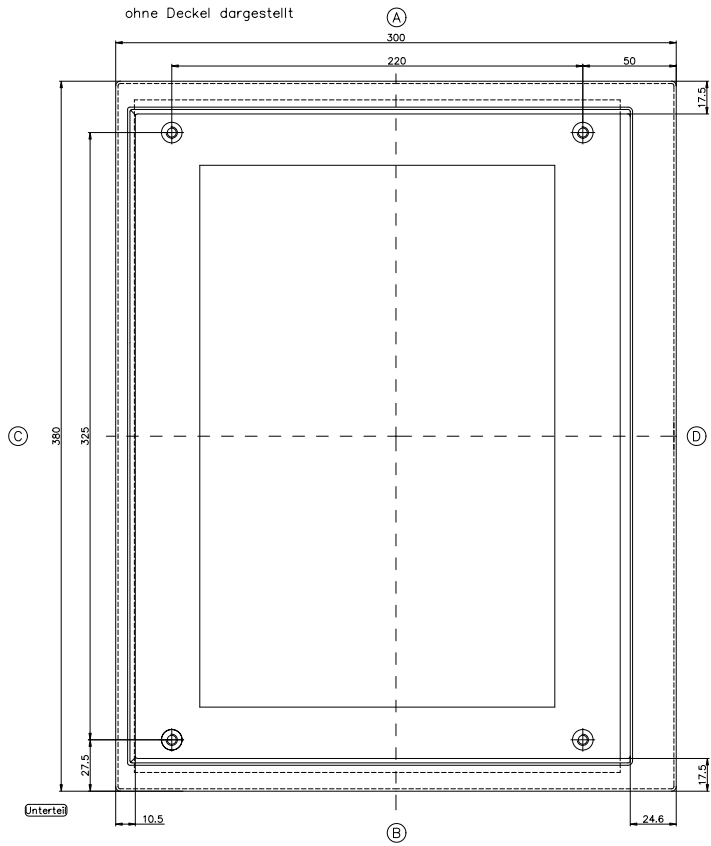
Erdungsbolzen M6 x 12

Deckeldraufsicht

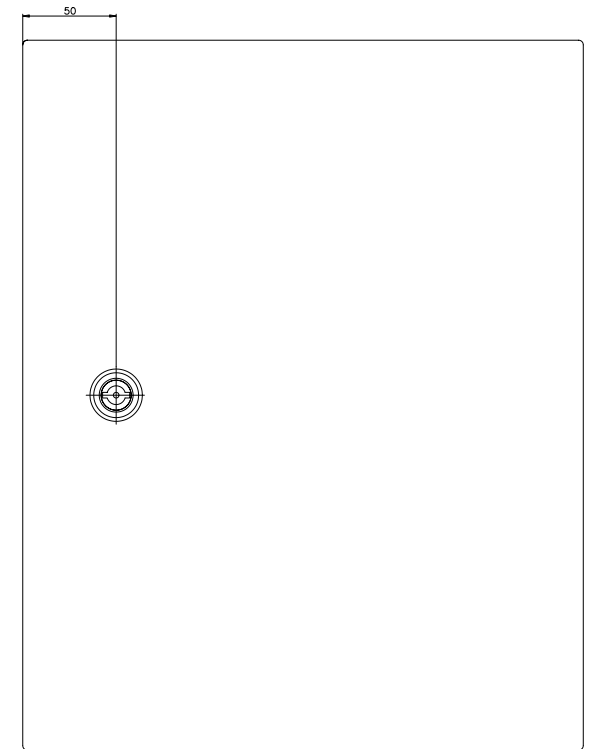
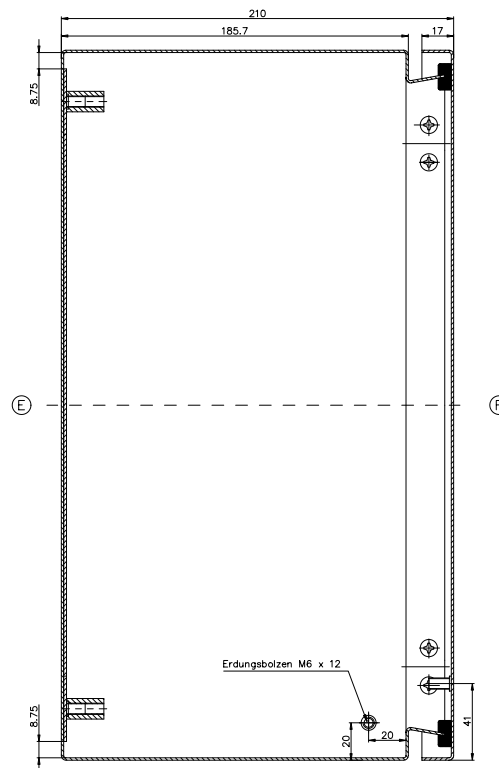


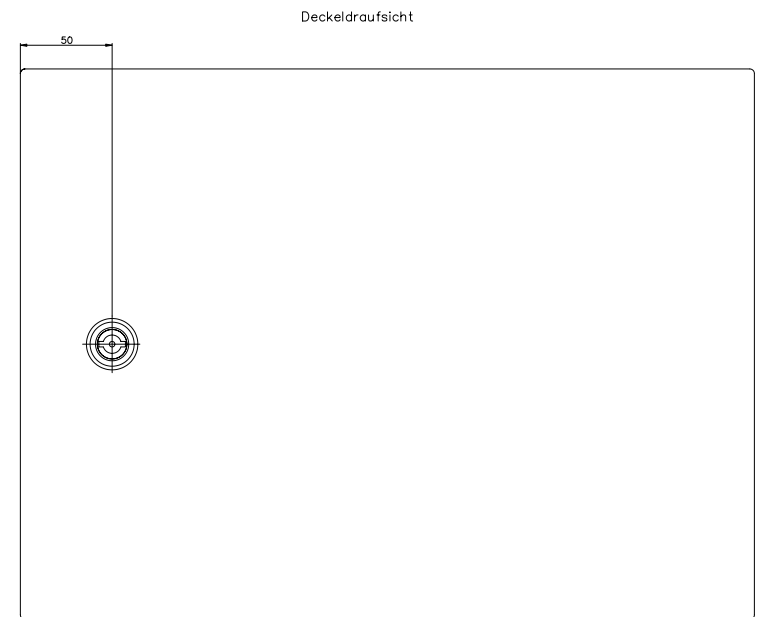
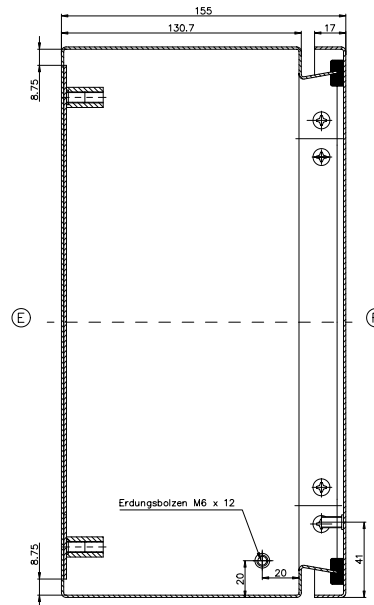
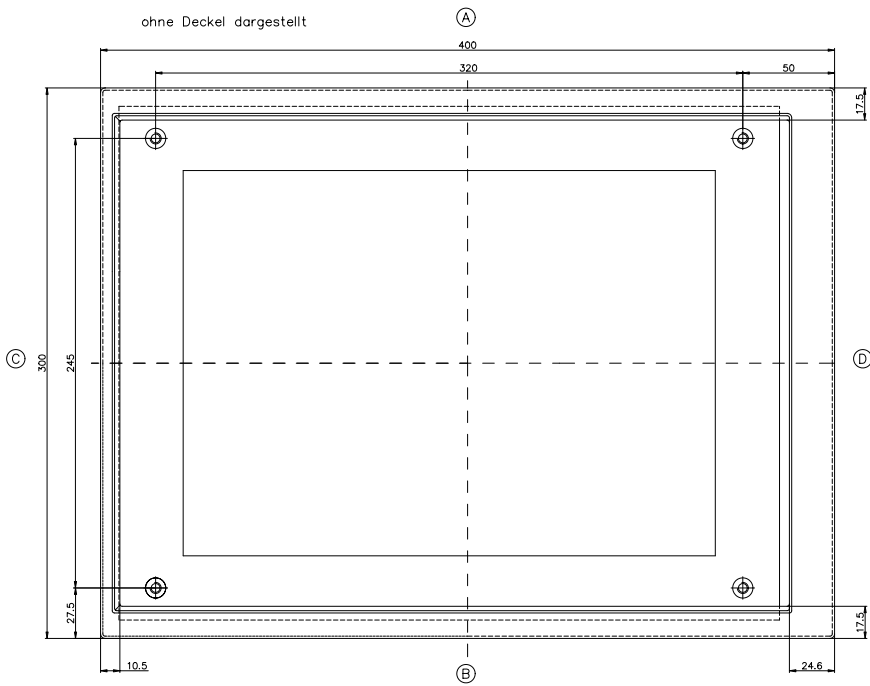
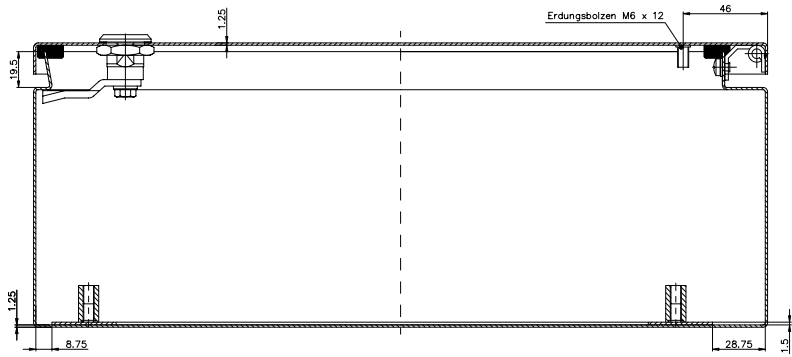


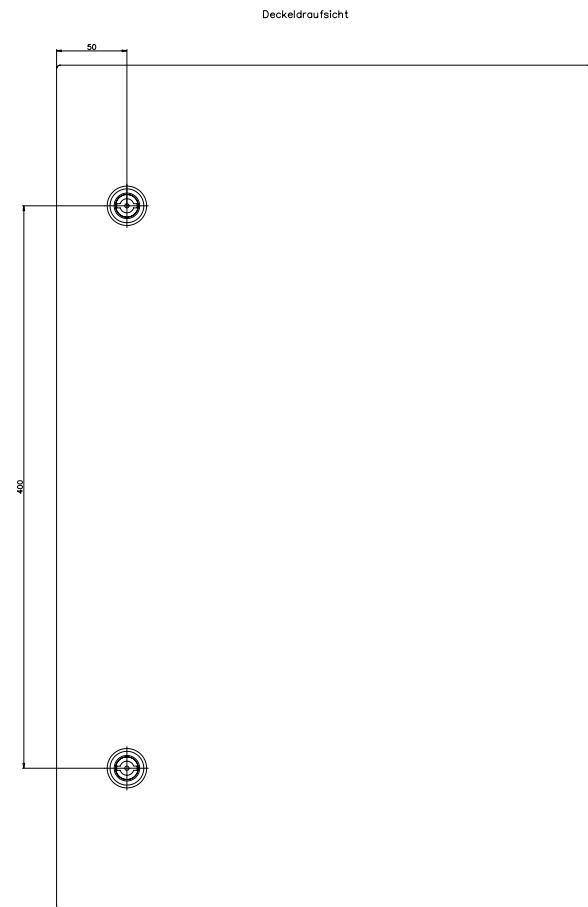
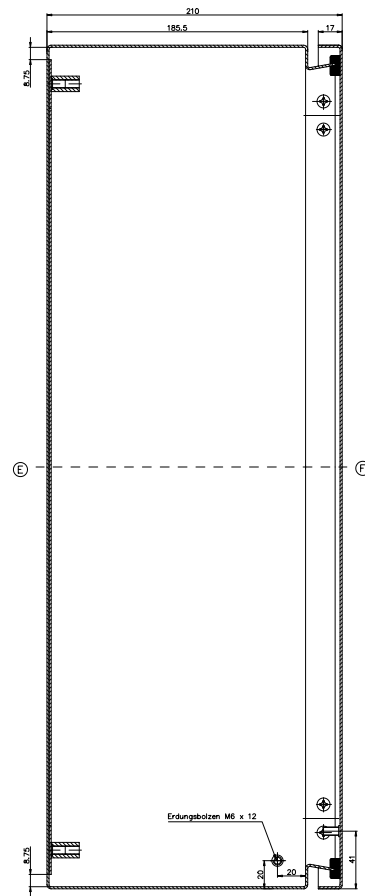
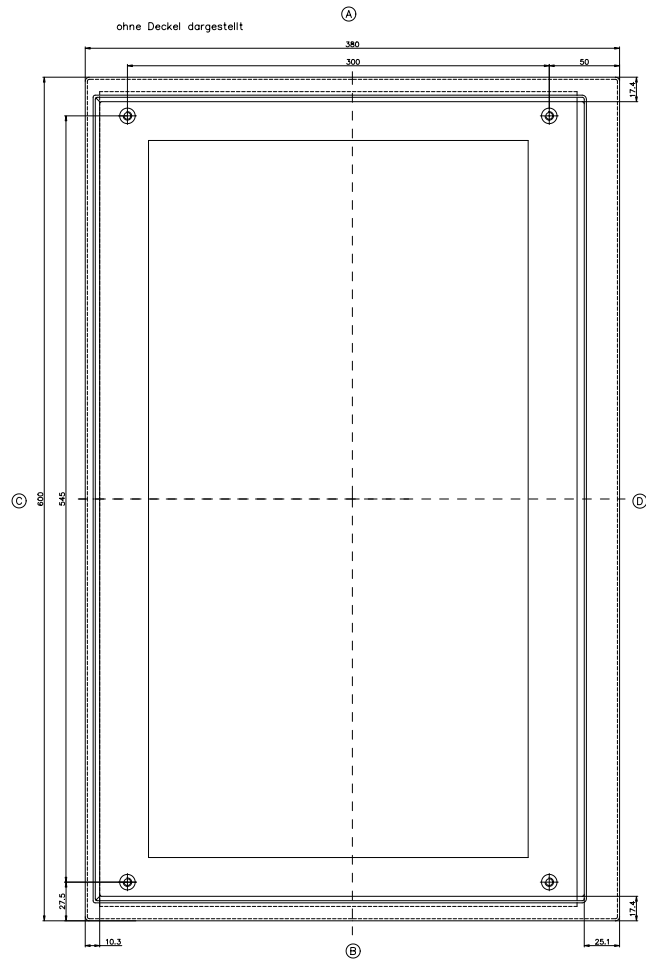
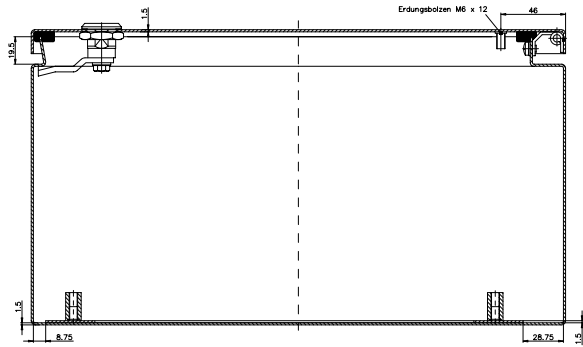
ohne Deckel dargestellt

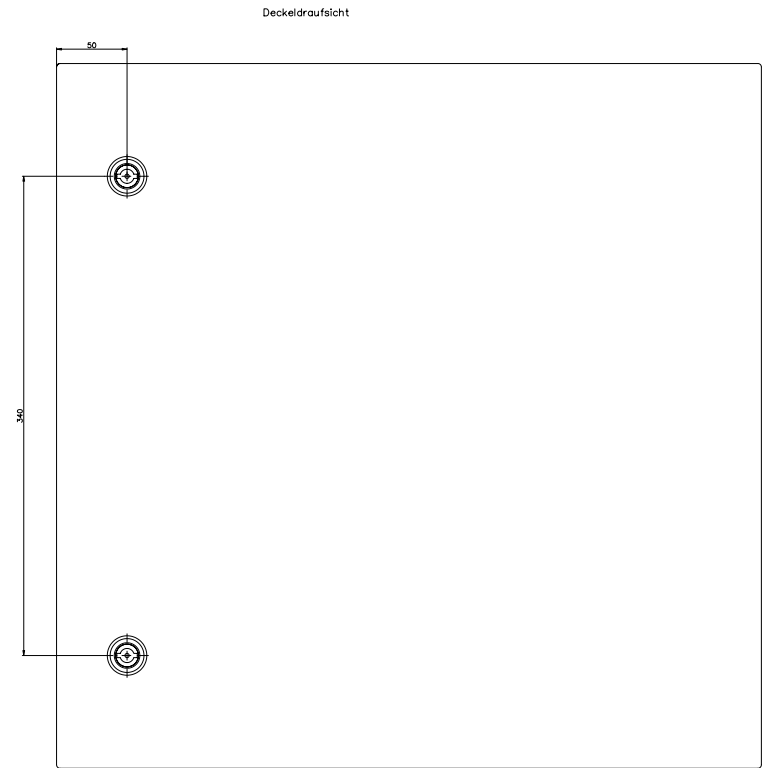
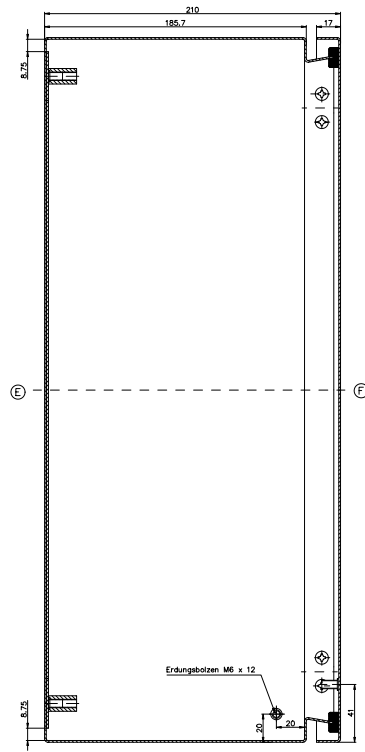
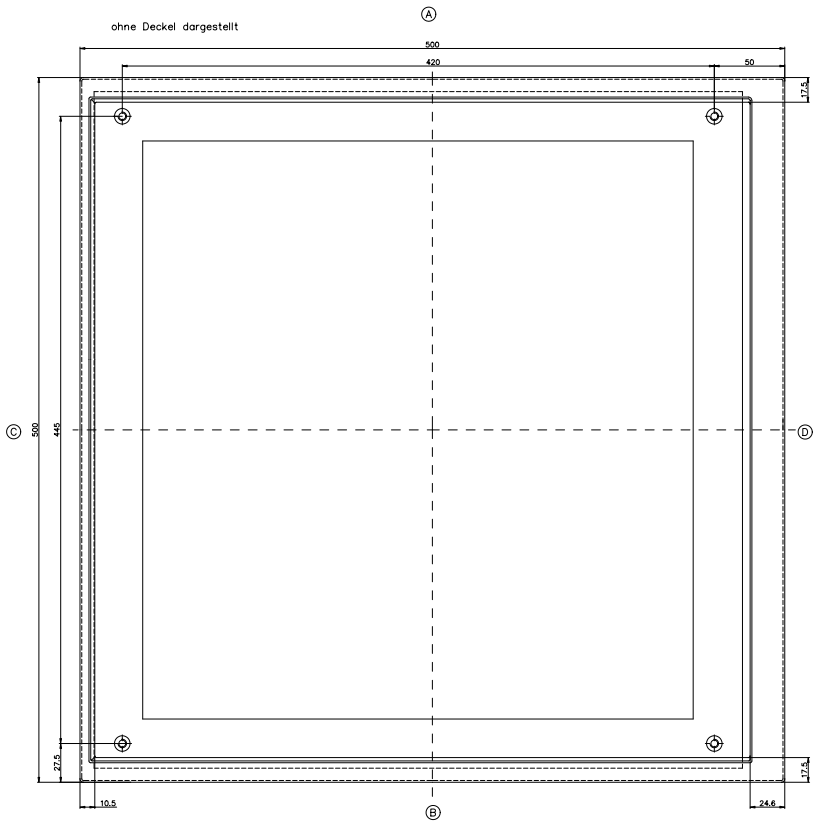
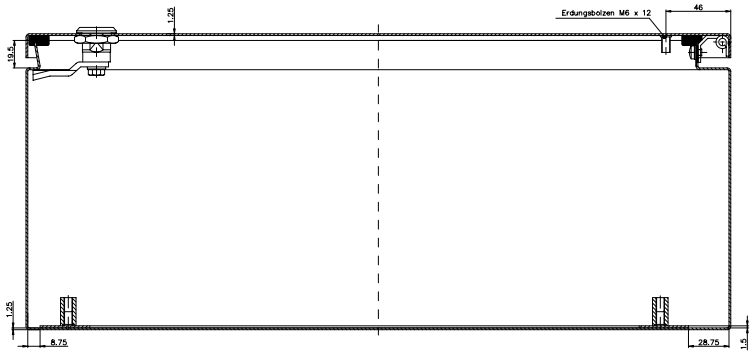


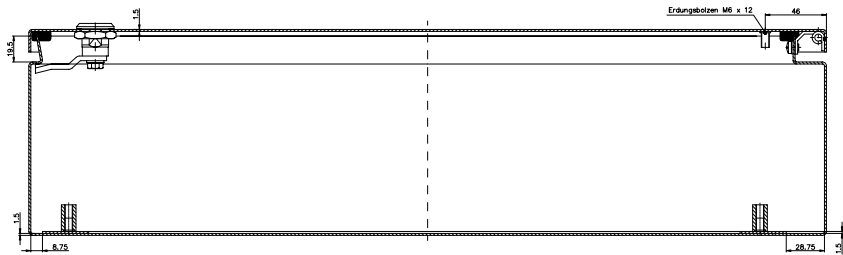
Deckeldraufsicht



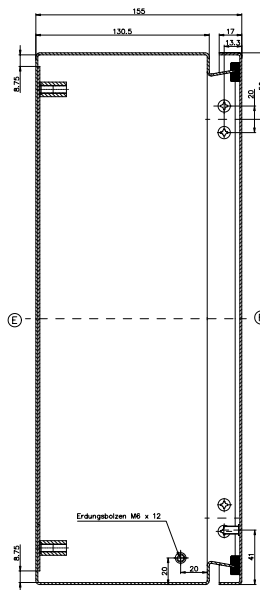
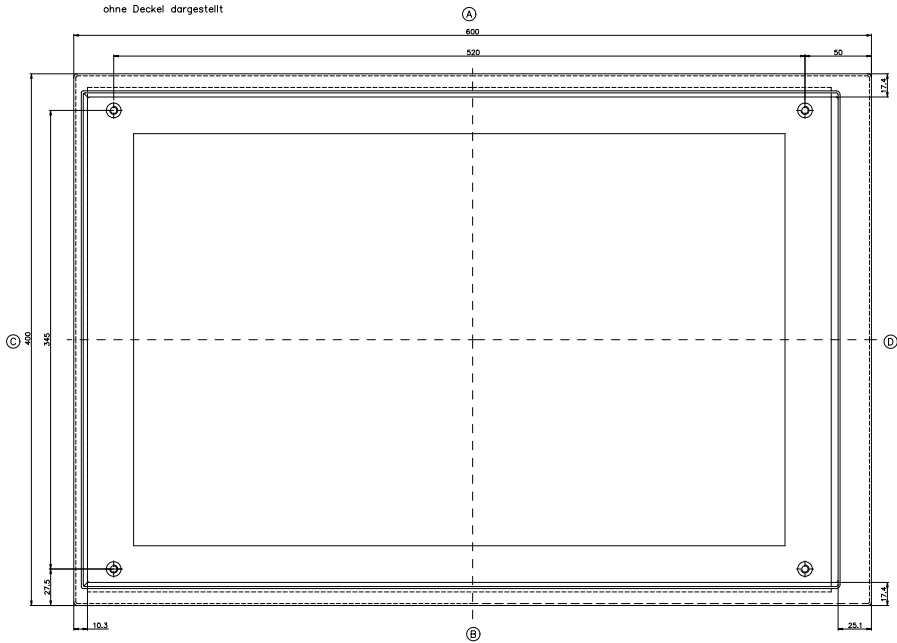








ohne Deckel dargestellt



Deckeldraufsicht

