

# Stainless Steel Ex Enclosures

Explosion-Protected Watertight Enclosures



For Finishing Services, Product Support, or to Order

Call 1-301-696-9800

- Terminal enclosure for increased safety and intrinsic safety
- Empty enclosure for individual fittings with EC-type examination certificate
- High stainless steel quality (1.4404)

### Included in delivery

Empty enclosure:  
Enclosure with silicone seal and external earth connection

Terminal enclosure:  
Enclosure system - depending on version either with silicone seal, continuity plate, DIN rails, internal earthing connection, terminals, manufacturing, cable glands



### Technical data

Explosion protection	Ex e II T6 (increased safety) Ex ia IIC T6 (intrinsic safety) Ex e(ia) IIC T6 (mixed fitting) temperature classes T5 and T4 on request
II 2G II 2D	
Certificates	empty enclosure: PTB 00 ATEX 1101U; IECEx PTB 07.0059U terminal enclosure: PTB 00 ATEX 1052; IECEx PTB 07.0060
Material	stainless steel 1,25 mm or 1,5 mm 1.4404 / 316L
Surface	grinded, grain 240
Ingress protection	IP 66 to EN 60529
Impact resistance	7 Joule to EN 60079-0
Temperature range of application acc. EN	-20°C to +40°C (corresponds T6 = 85°C max. surface temperature) -20°C to +55°C (corresponds T5 = 100°C max. surface temperature) -20°C to +90°C (corresponds T4 = 135°C max. surface temperature) temperatures to -55°C with special marking on request



Gost  
Russia

Gost  
Kazakhstan



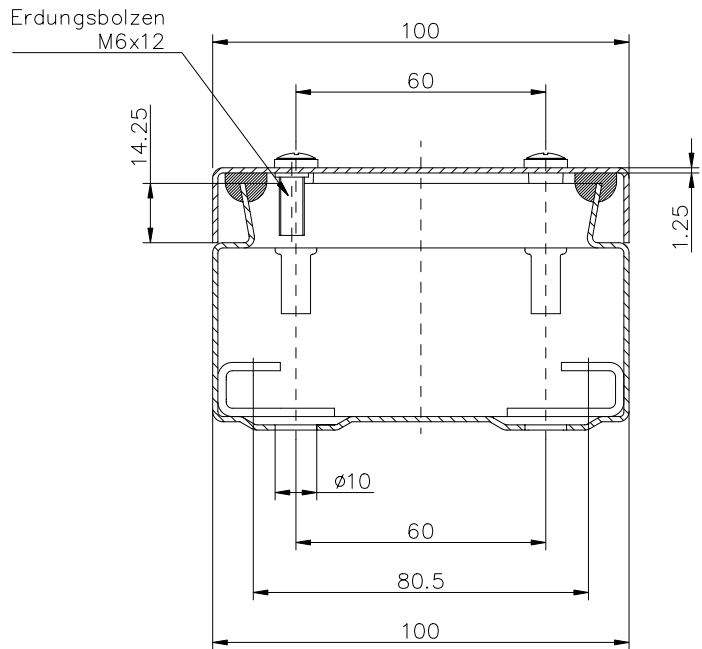
### Programme range

Order No.			Dimensions
Ex-e version	Ex-ia version	Empty enclosure	L x W x H (mm)
35.10 10 06	36.10 10 06	34.10 10 06	100 x 100 x 61
35.15 10 06	36.15 10 06	34.15 10 06	150 x 100 x 61
35.15 15 08	36.15 15 08	34.15 15 08	150 x 150 x 81
35.20 10 06	36.20 10 06	34.20 10 06	200 x 100 x 61
35.20 20 08	36.20 20 08	34.20 20 08	200 x 200 x 81
35.20 20 12	36.20 20 12	34.20 20 12	200 x 200 x 121
35.30 15 08	36.30 15 08	34.30 15 08	300 x 150 x 81
35.30 20 08	36.30 20 08	34.30 20 08	300 x 200 x 81
35.30 20 12	36.30 20 12	34.30 20 12	300 x 200 x 121
35.30 30 12	36.30 30 12	34.30 30 12	300 x 300 x 121
35.30 30 16	36.30 30 16	34.30 30 16	300 x 300 x 161
35.38 38 16	36.38 38 16	34.38 38 16	380 x 380 x 161
35.40 15 08	36.40 15 08	34.40 15 08	400 x 150 x 81
35.40 20 12	36.40 20 12	34.40 20 12	400 x 200 x 121
35.40 30 16	36.40 30 16	34.40 30 16	400 x 300 x 161
35.50 30 16	36.50 30 16	34.50 30 16	500 x 300 x 161
35.50 40 16	36.50 40 16	34.50 40 16	500 x 400 x 161
35.60 20 12	36.60 20 12	34.60 20 12	600 x 200 x 121
35.99 99 99	36.99 99 99	34.99 99 99	special dimensions*

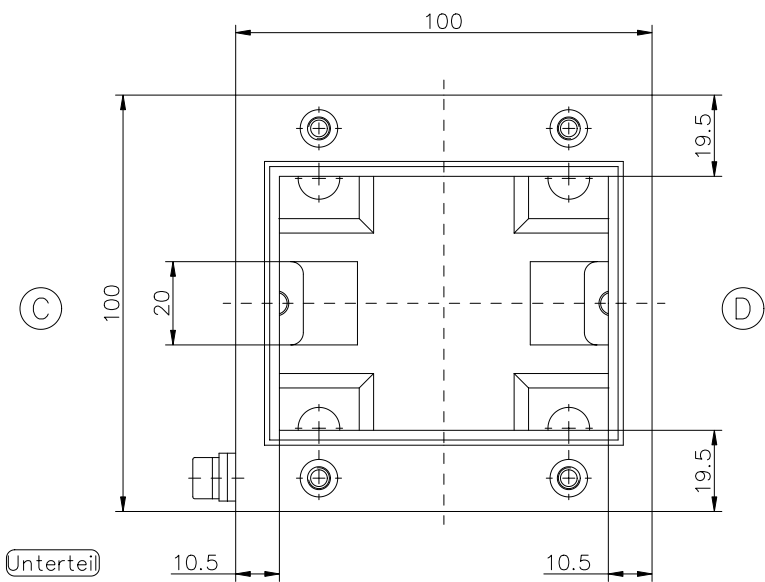
\* from 100 x 100 mm to 1200 x 1000 mm

### Accessories

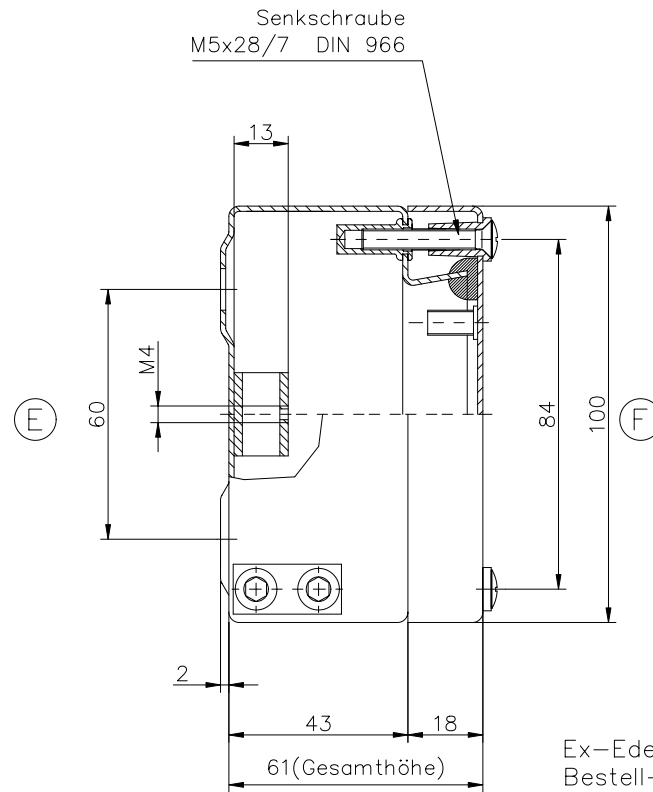
External mounting brackets (4 pcs.)	37.10 50 00
Mounting set (gaskets, nuts and screws)	37.99 00 01
External hinge set (2 pcs.)	37.00 00 02



(A)



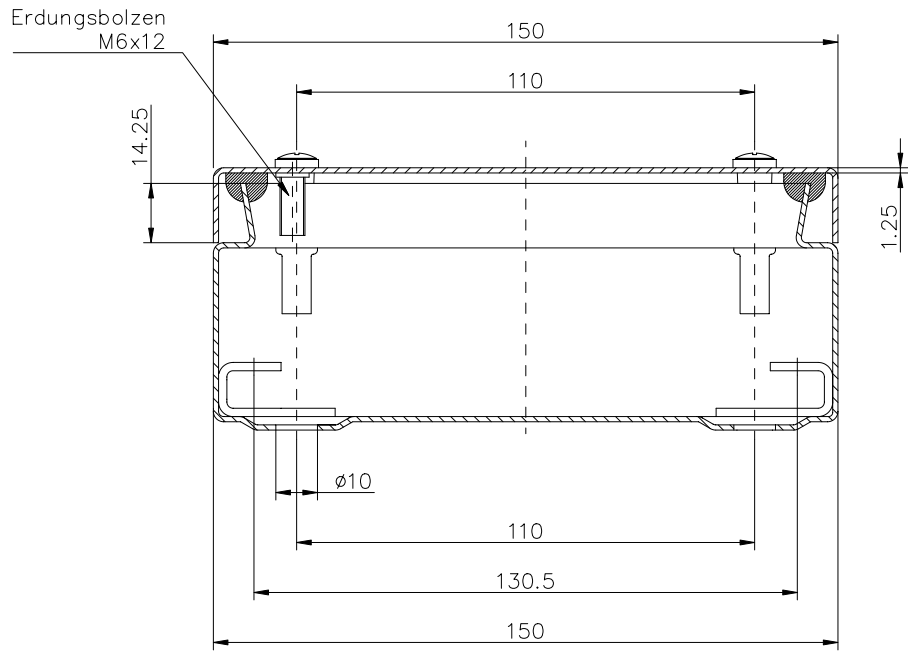
(B)



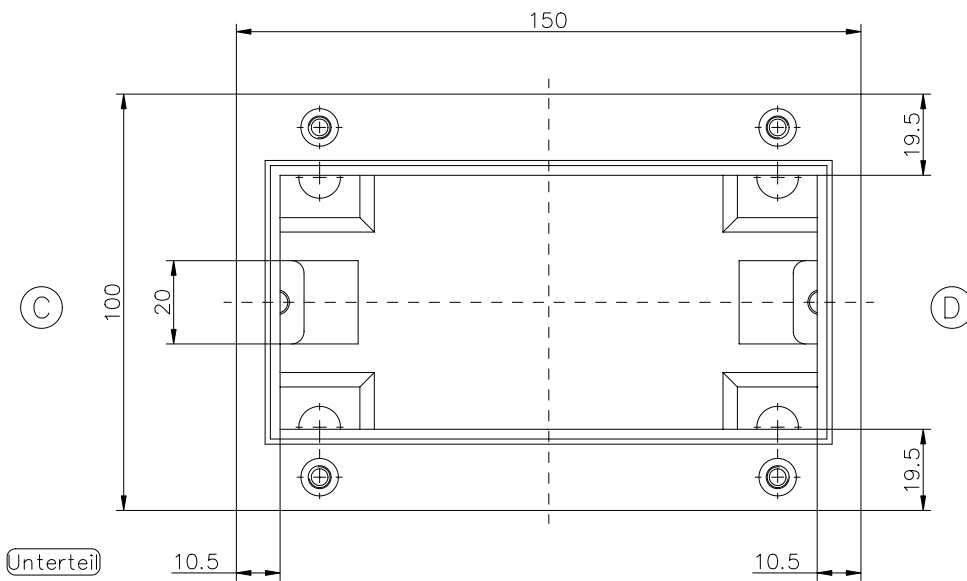
(E)

(F)

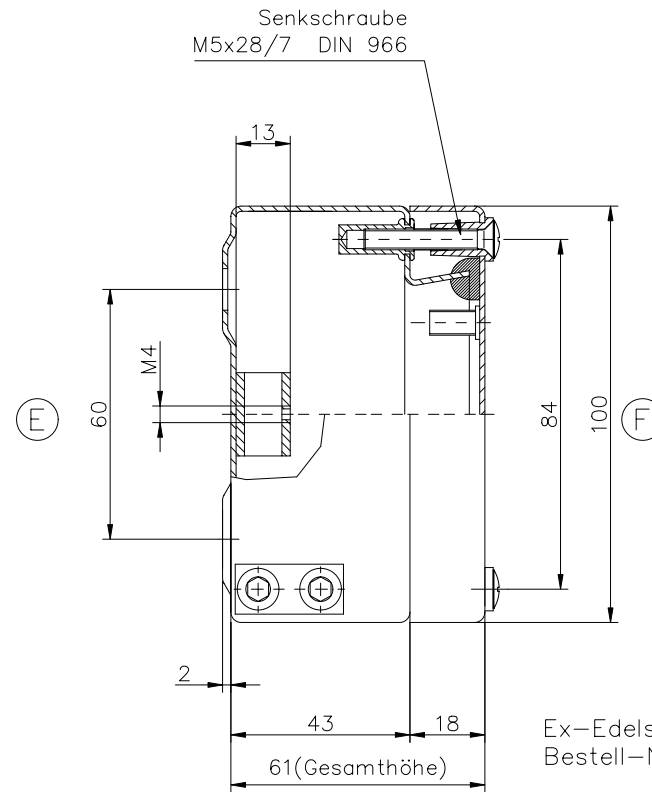
Ex-Edelstahlgehäuse  
Bestell-Nr.: 34.101006



(A)

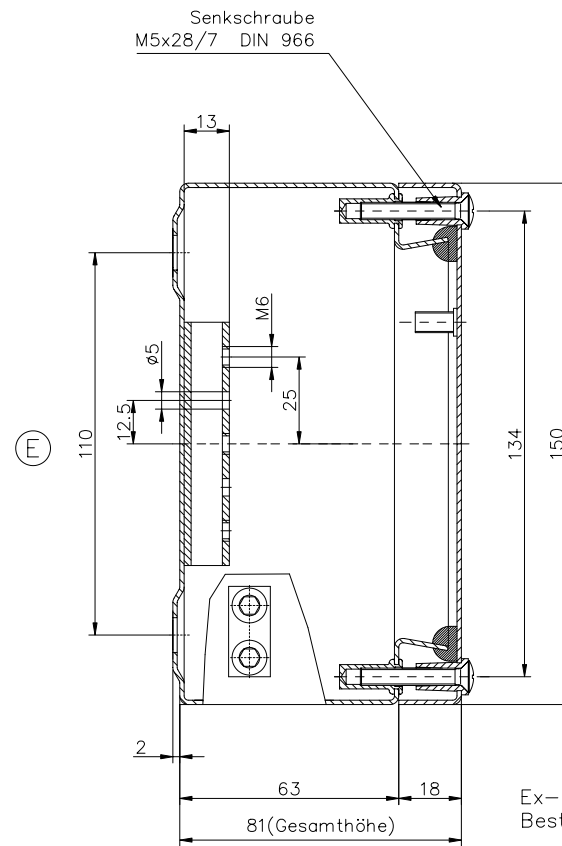
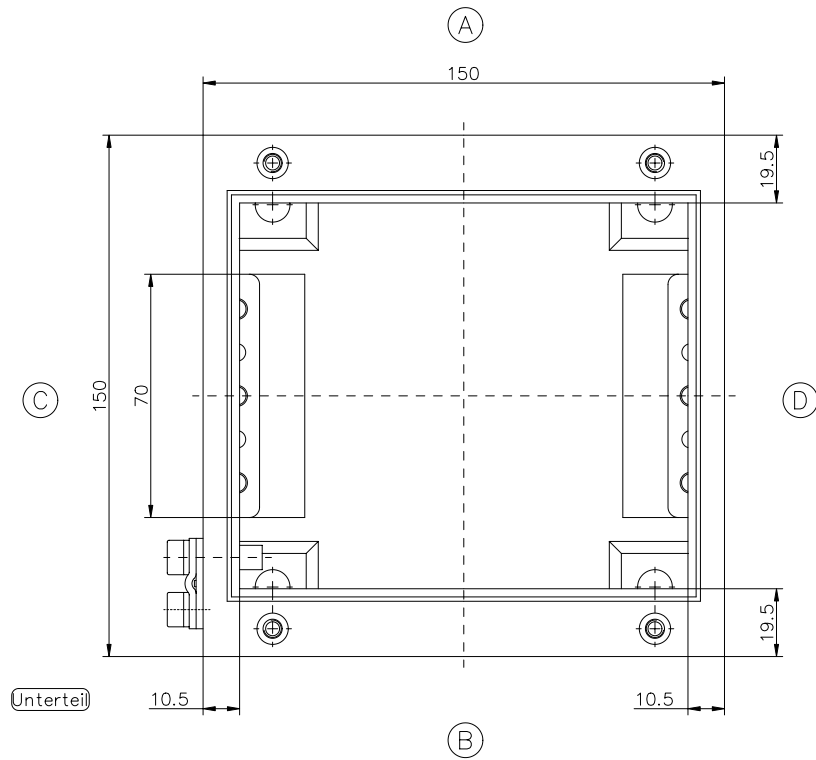
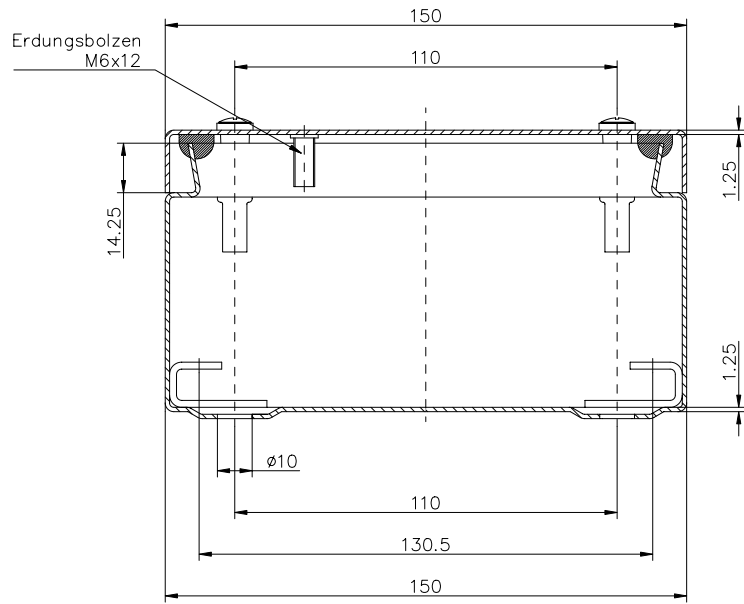


(B)

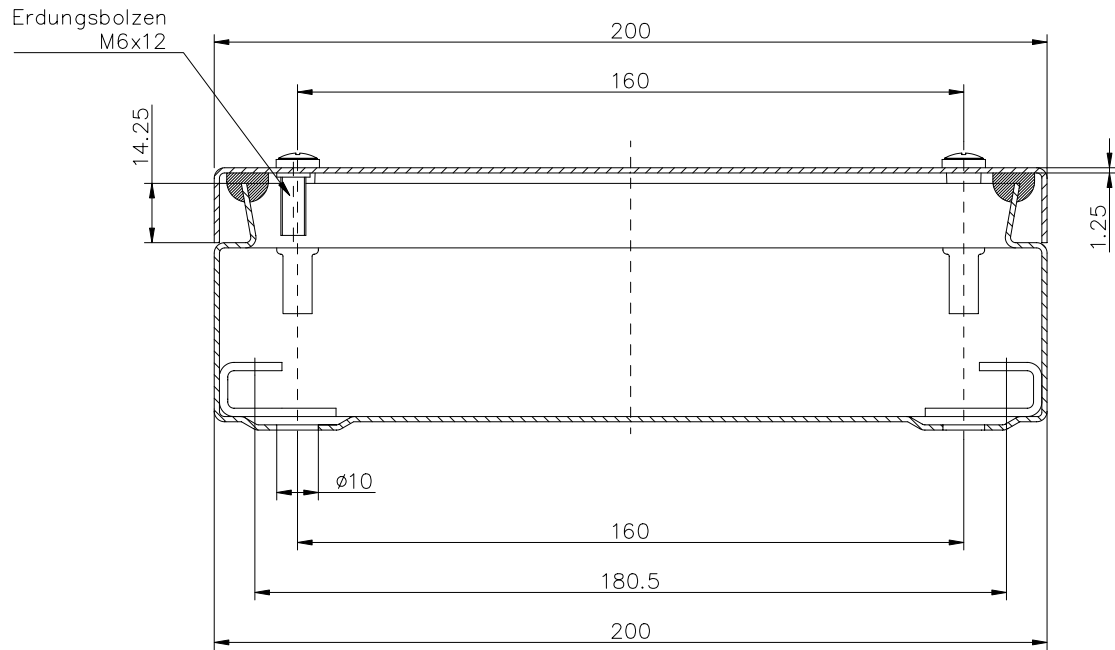


(E)

(F)

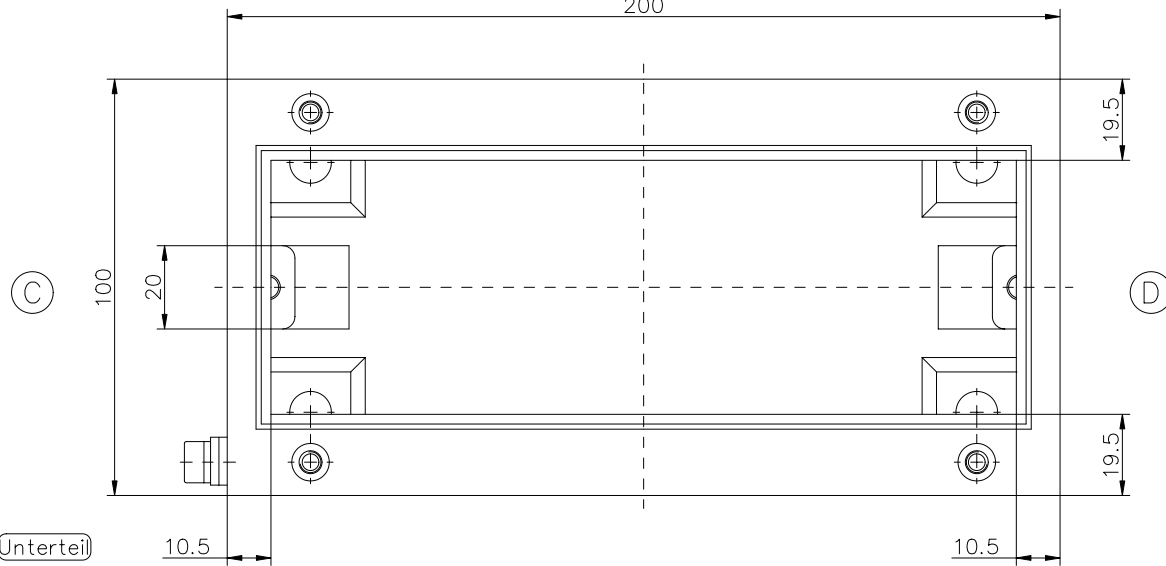


Ex-Edelstahlgehäuse  
Bestell-Nr.: 34.151508



(A)

200

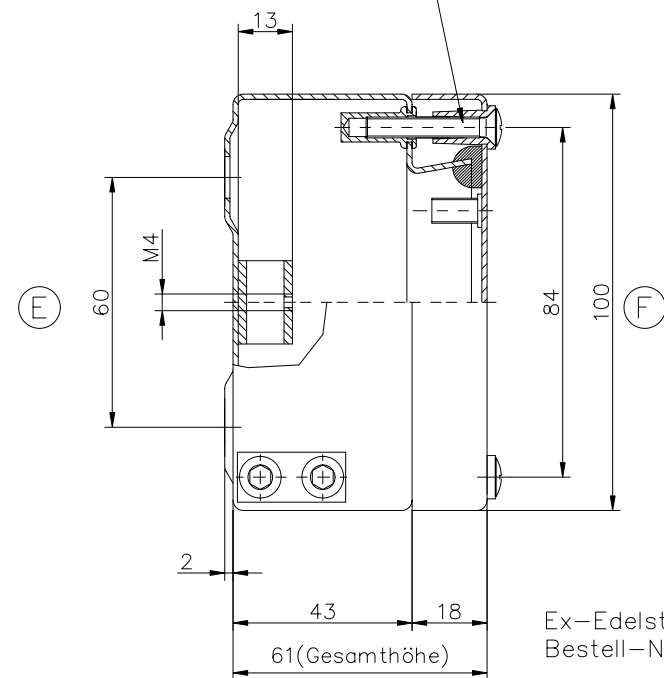


(C)

(D)

(B)

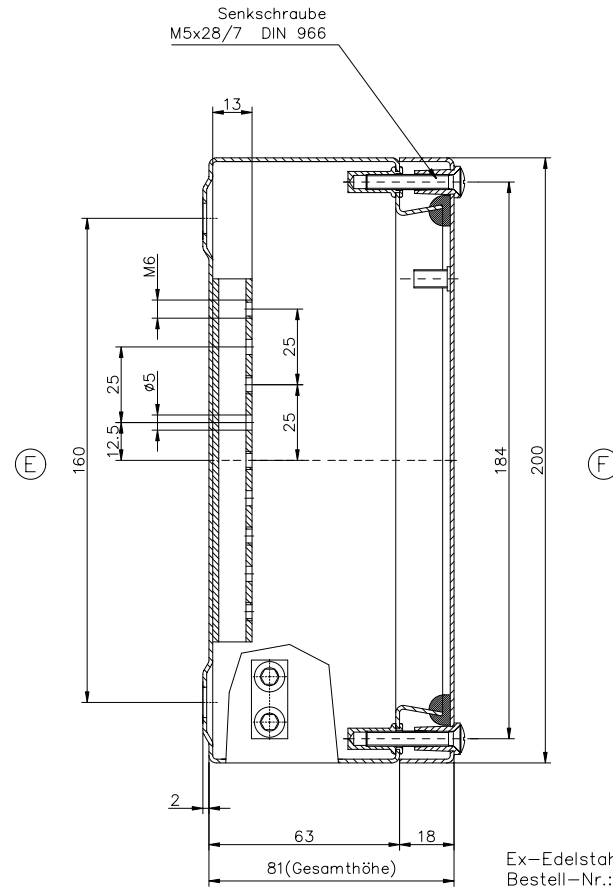
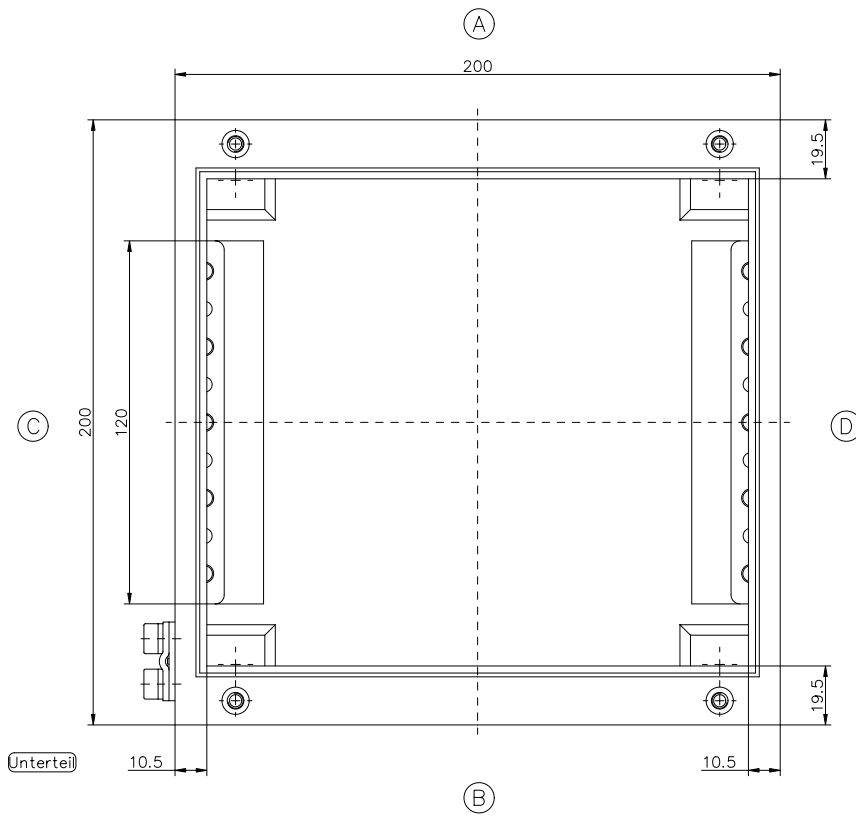
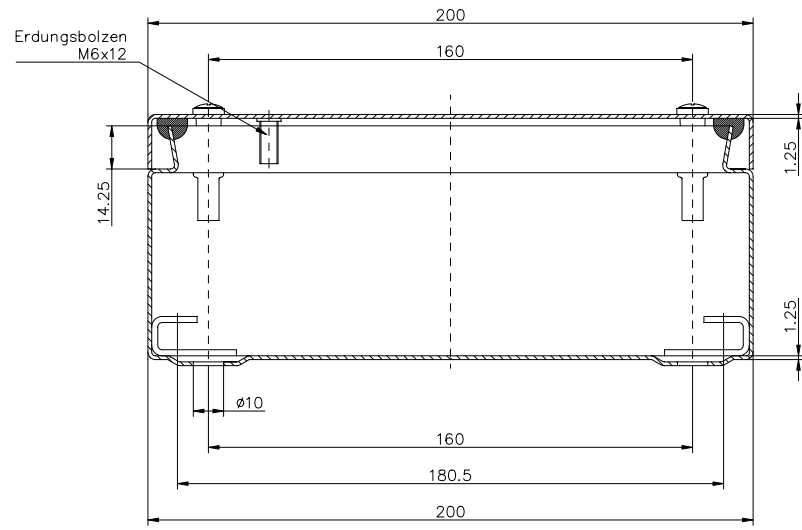
Senkschraube  
M5x28/7 DIN 966



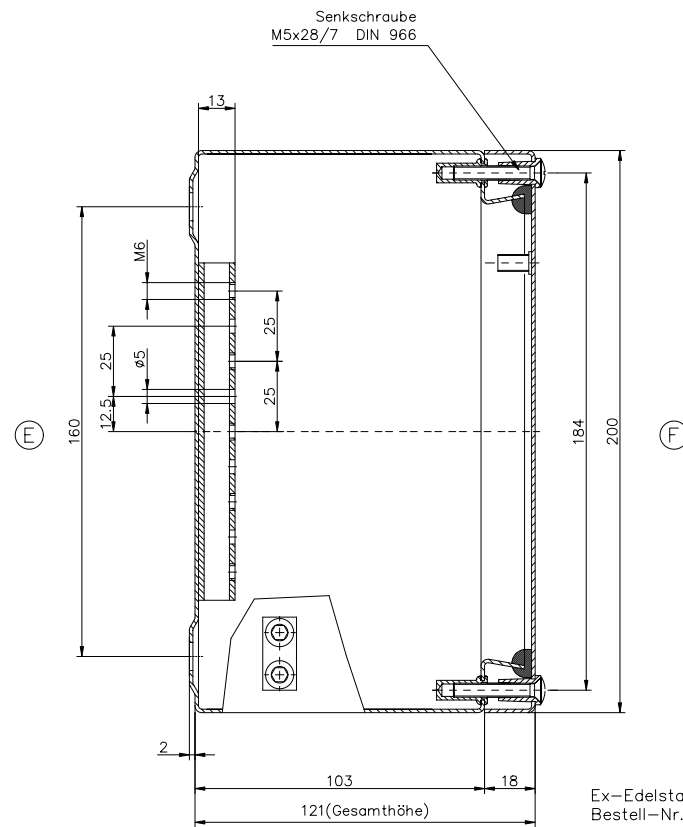
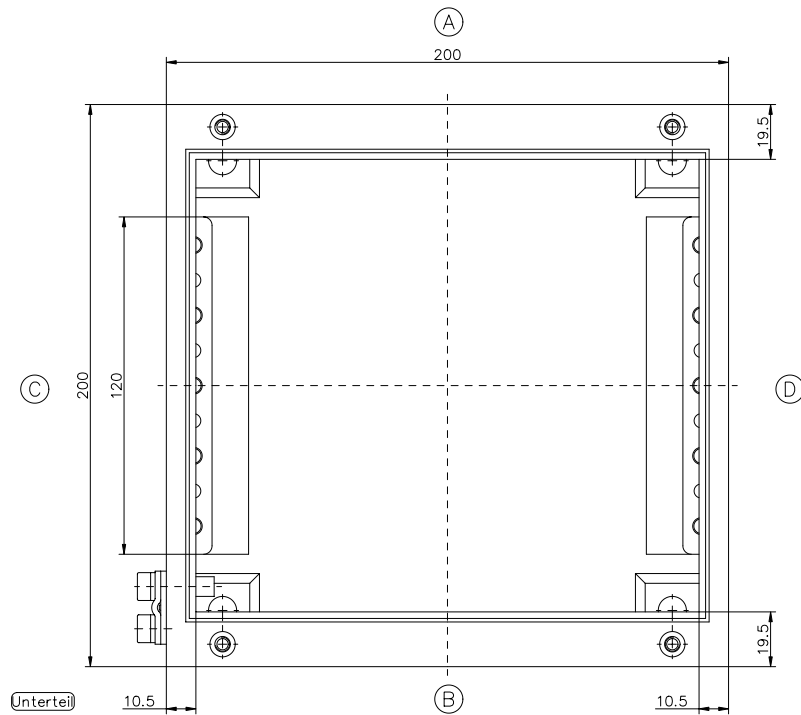
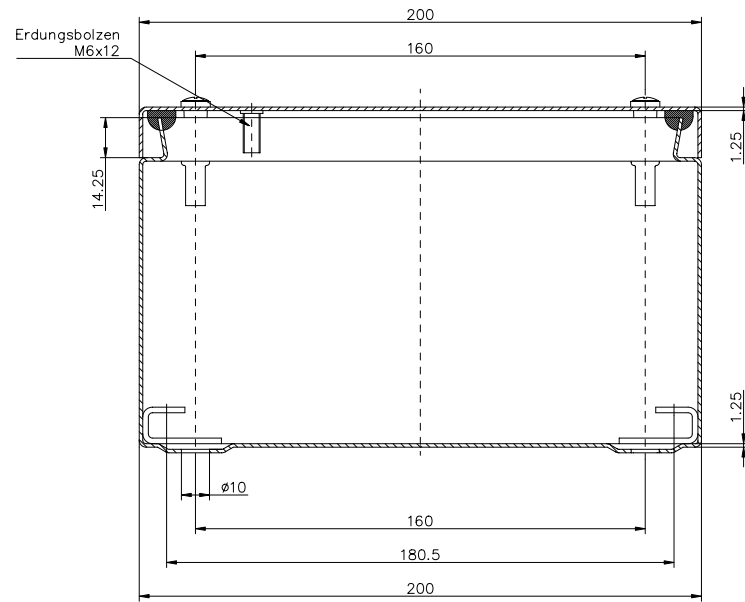
(E)

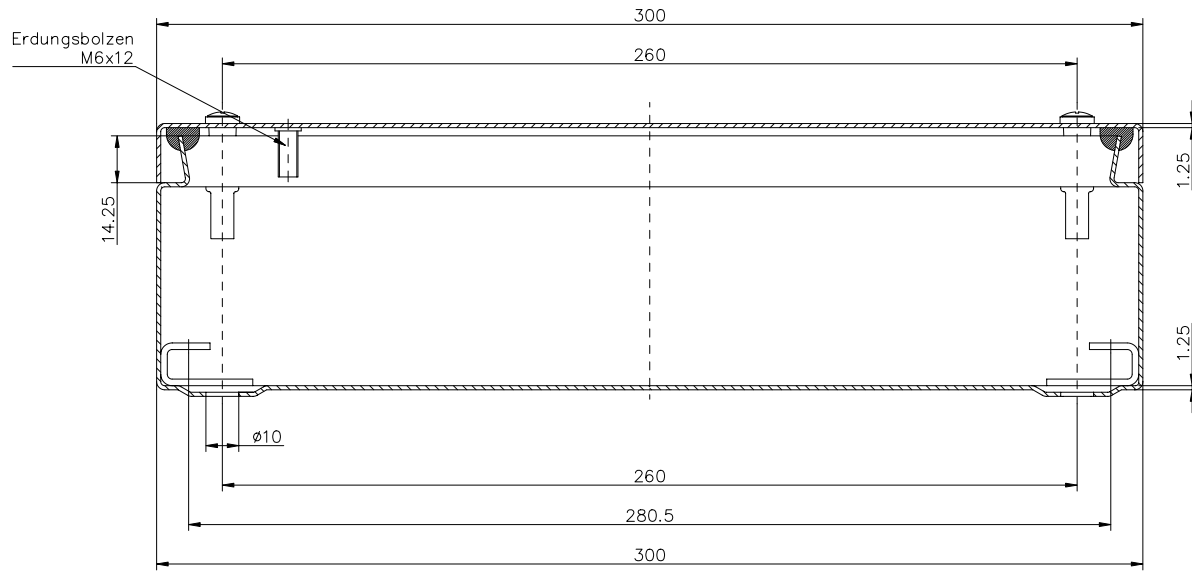
(F)

Ex-Edelstahlgehäuse  
Bestell-Nr.: 34.201006



Ex-Edelstahlgehäuse  
Bestell-Nr.: 34.202008





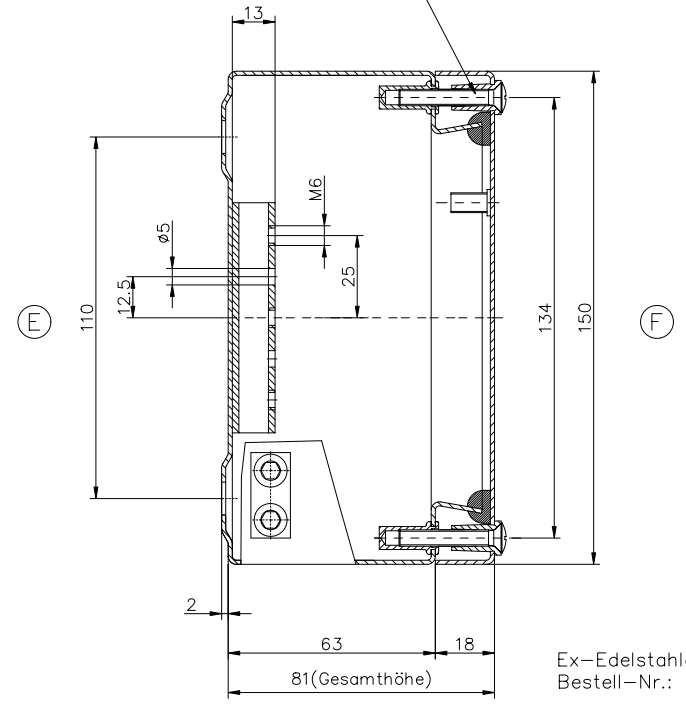
Ⓐ

300

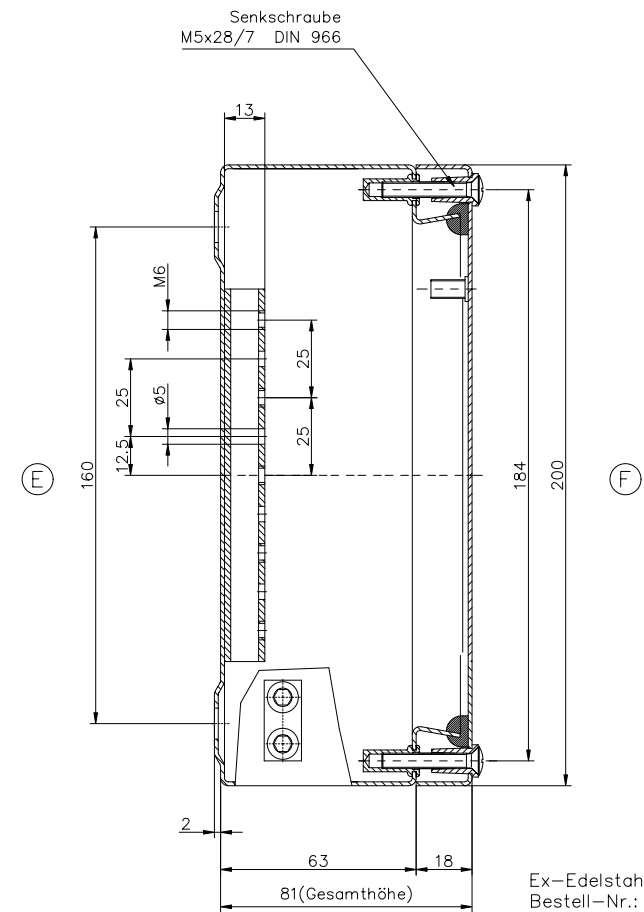
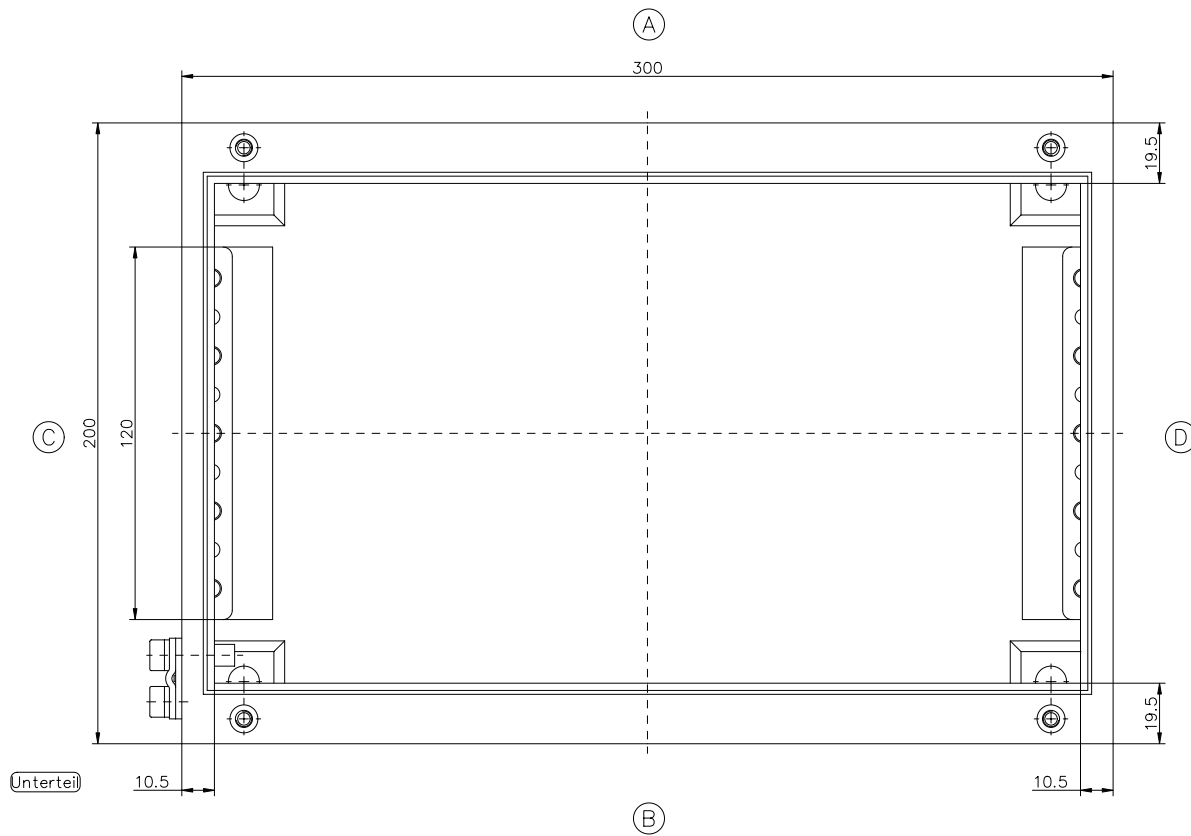
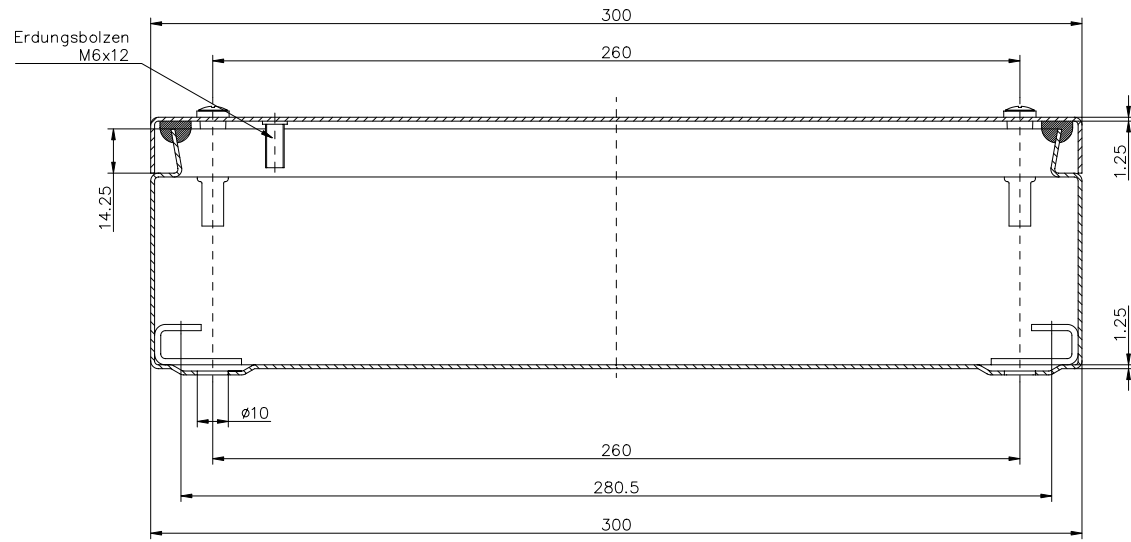
Ⓑ



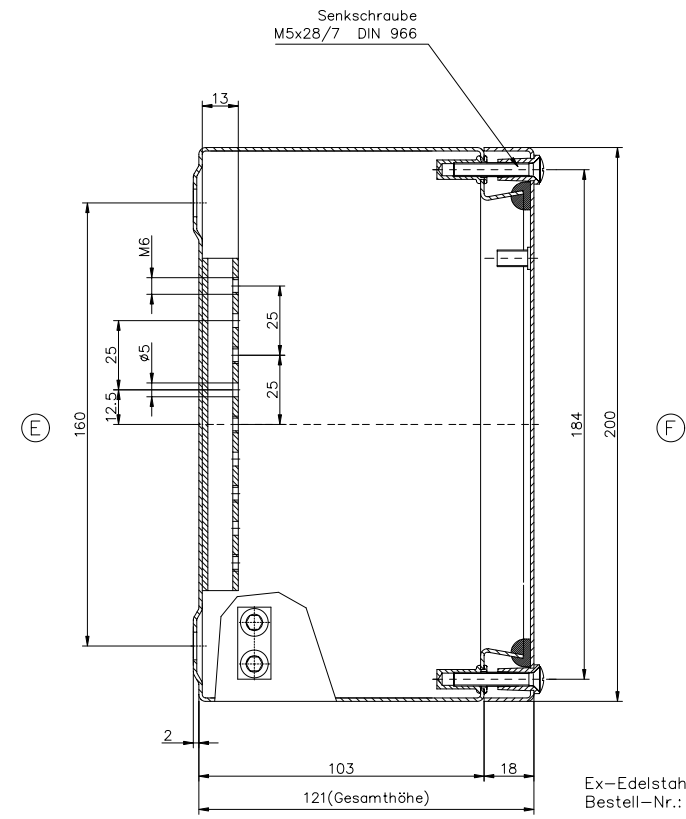
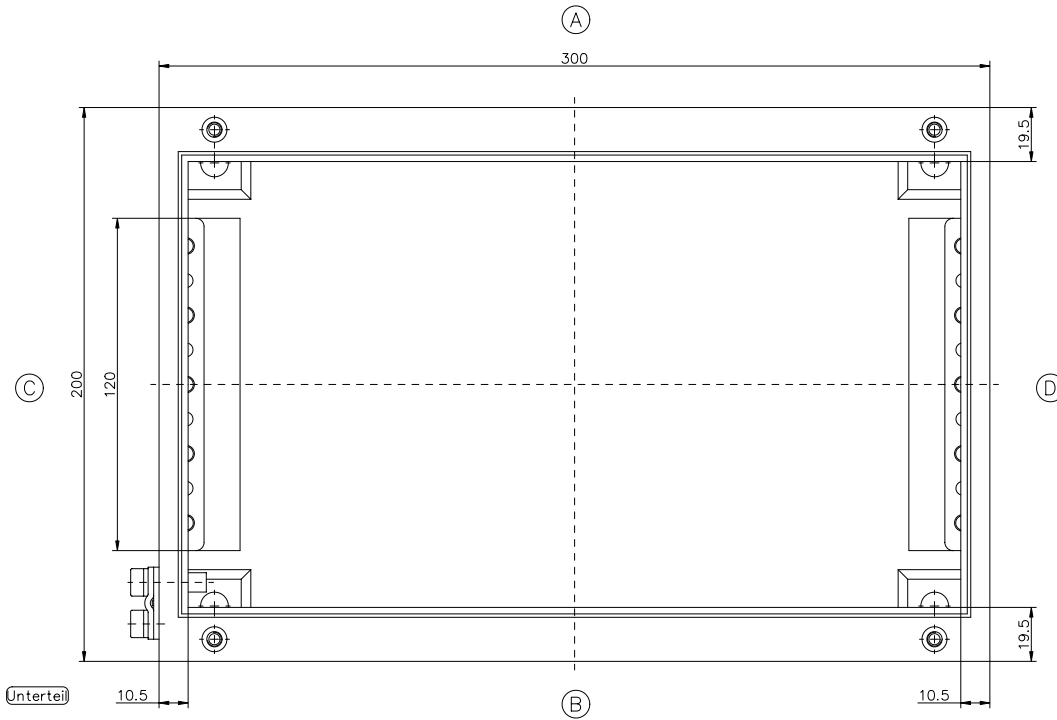
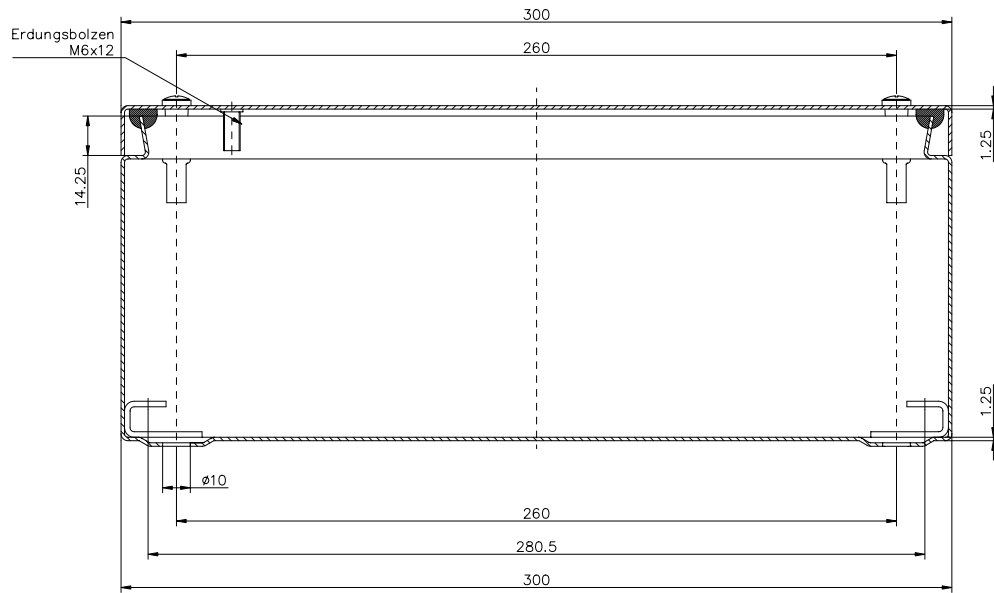
Senkschraube  
M5x28/7 DIN 966



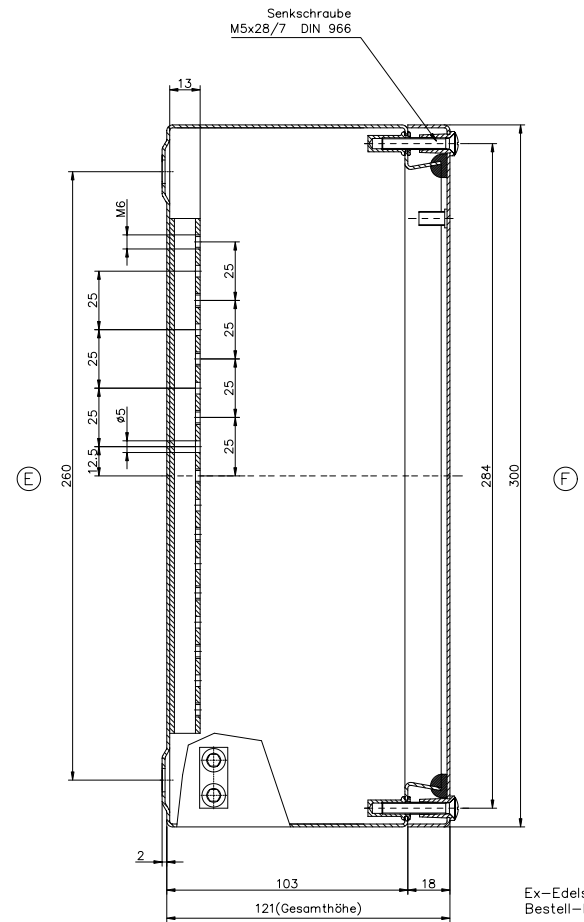
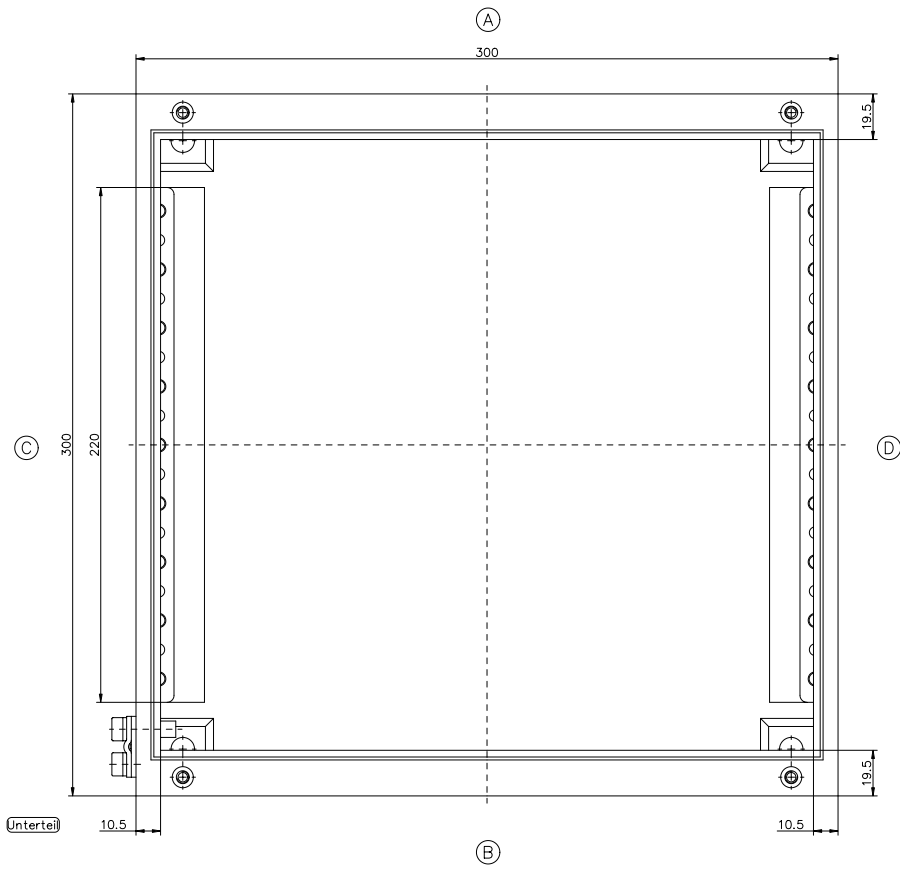
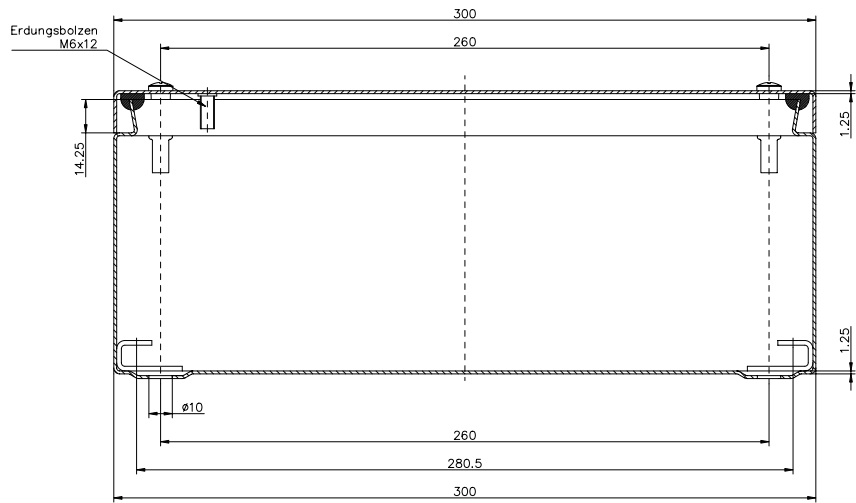
Ex-Edelstahlgehäuse  
Bestell-Nr.: 34.301508



Ex-Edelstahlgehäuse  
Bestell-Nr.: 34.302008



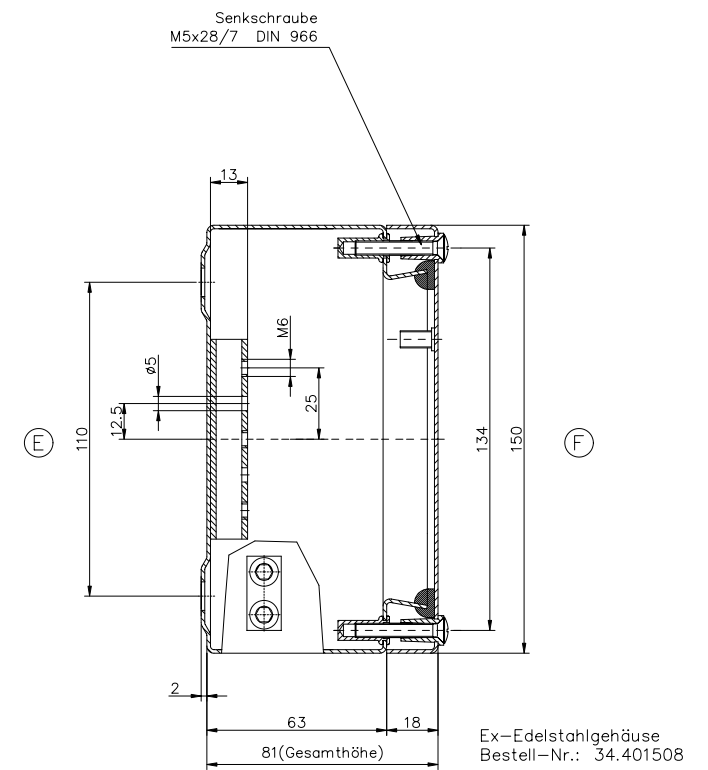
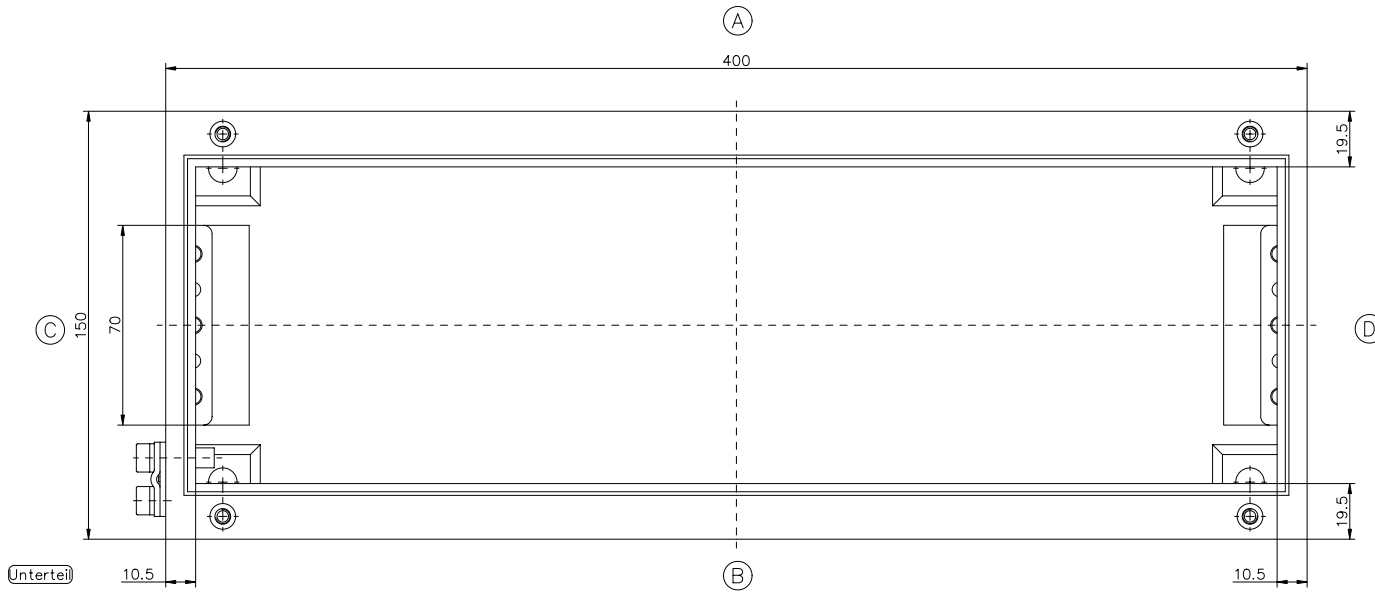
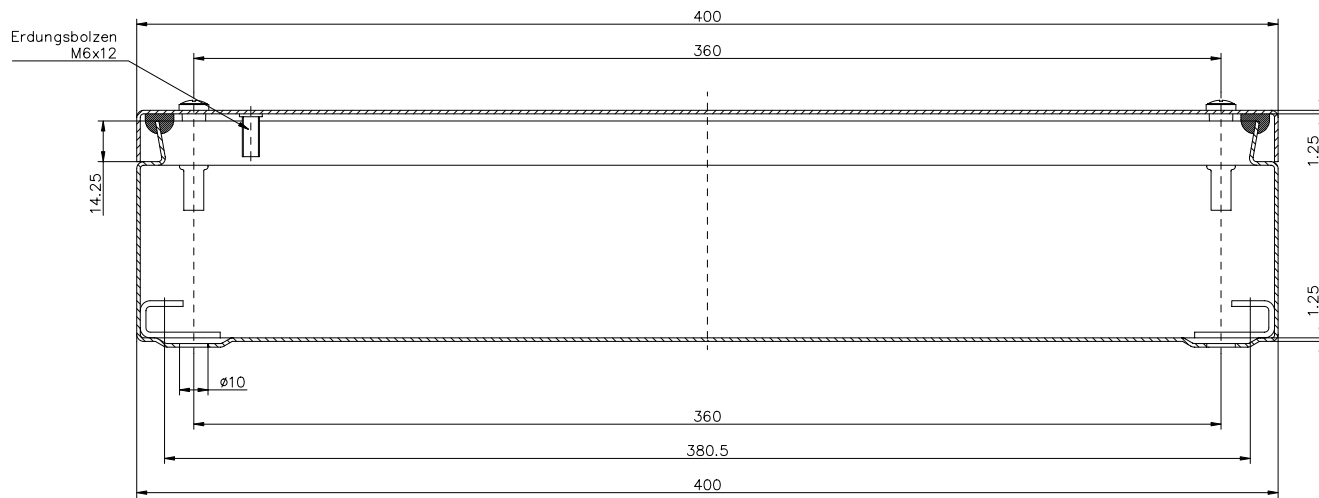
Ex-Edelstahlgehäuse  
Bestell-Nr.: 34.302012



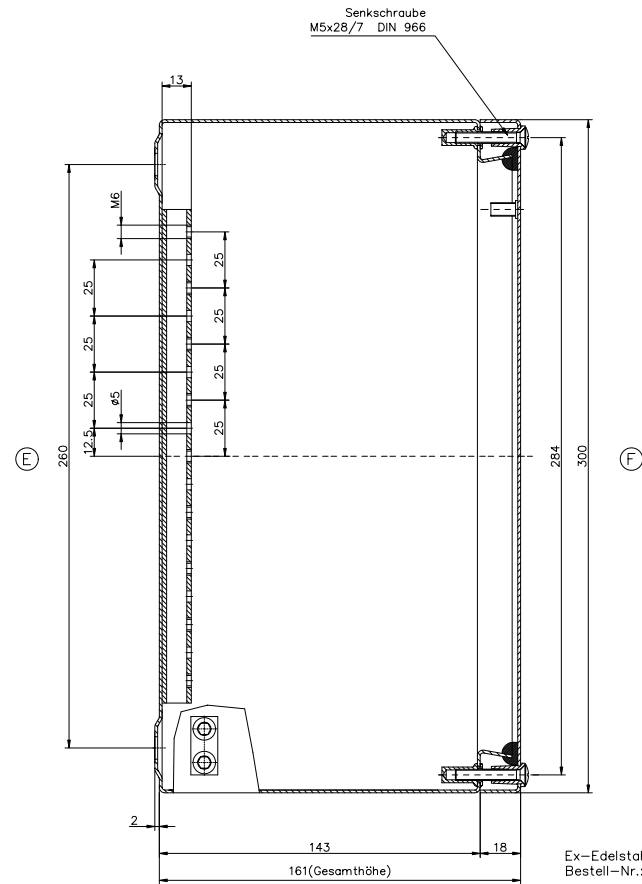
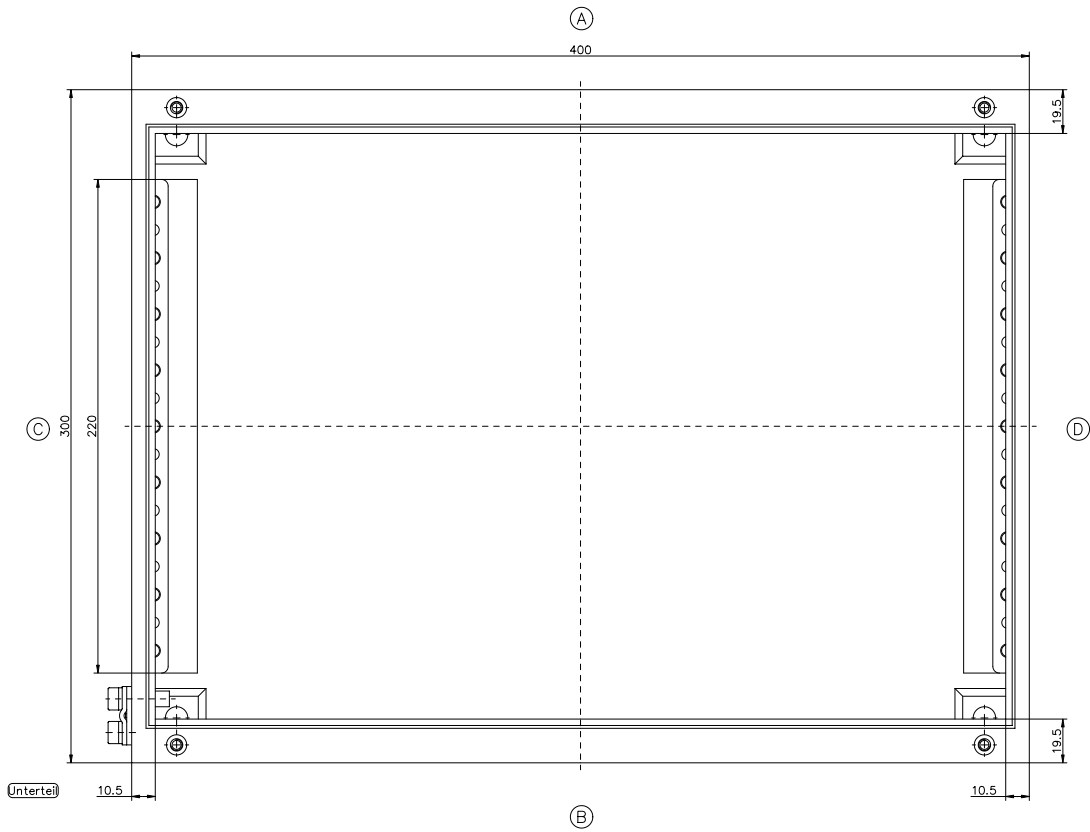
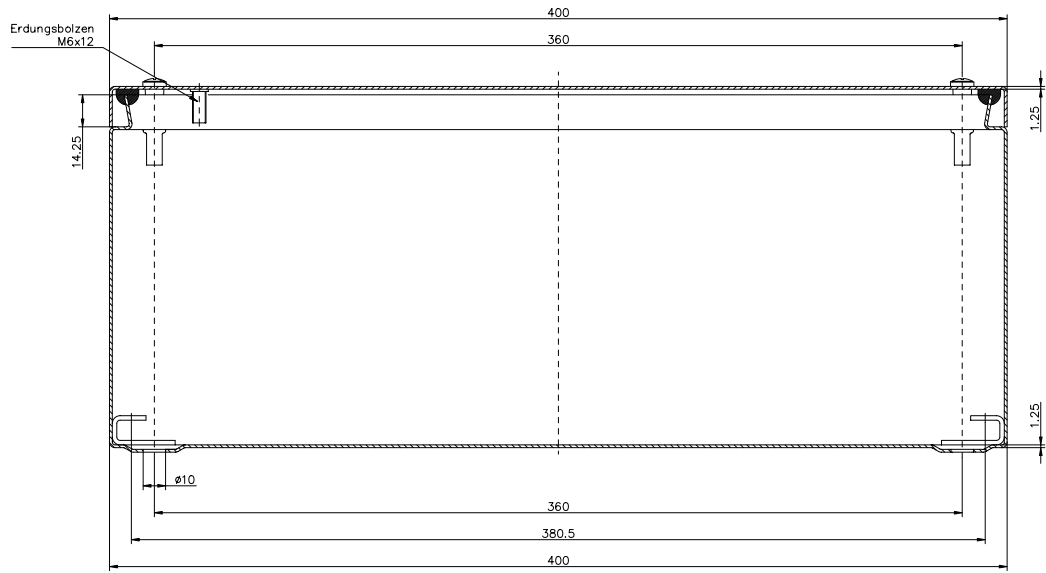
Ex-Edelstahlgehäuse  
Bestell-Nr.: 34.303012











Ex-Edelstahlgehäuse  
Bestell-Nr.: 34.403016

