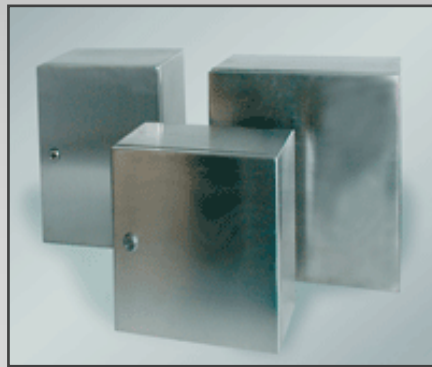


# Stainless Steel IGS Cabinets with Hinges

Switch Gear Cabinets with Hinged Door



For Finishing Services, Product Support, or to Order

Call 1-301-696-9800

## with hinge IGS

- Universal enclosure with hinge covered and lock
- High quality surface 1.4301
- Optional individual sizes and versions e.g. with flange openings or window from 25 pcs.

### Including in delivery:

Enclosure base with bracket clips and threaded bores for attachment of mounting rail, hinged cover, double ward lock, 4 floor break-outs with attachment holes and sealing plugs.



### Technical Data

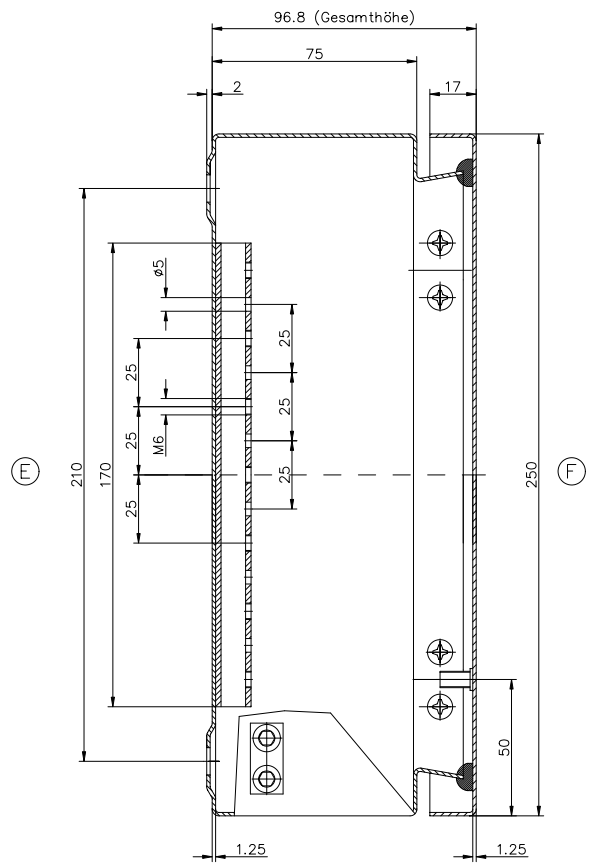
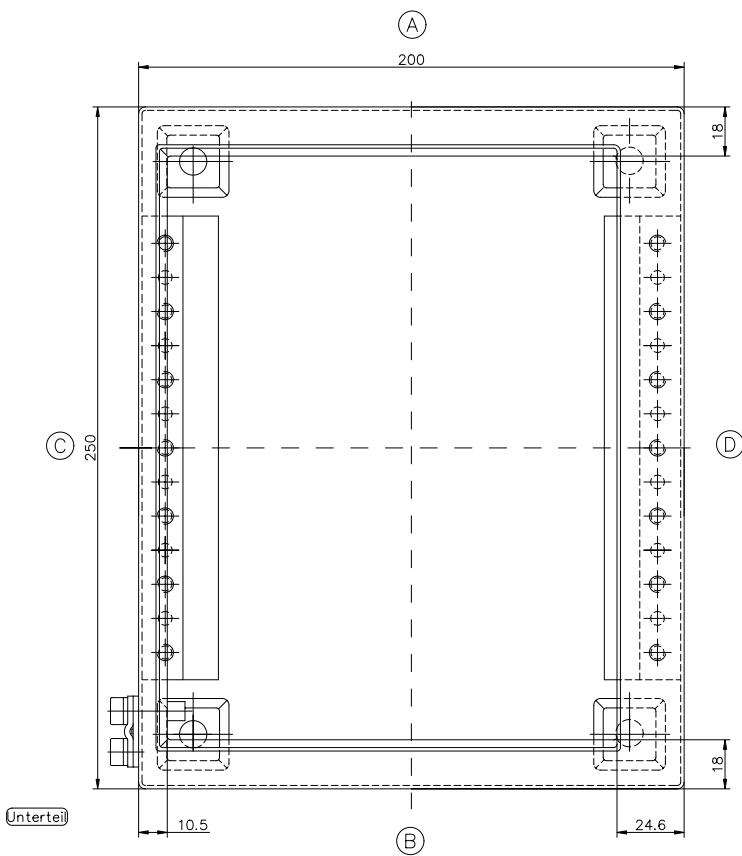
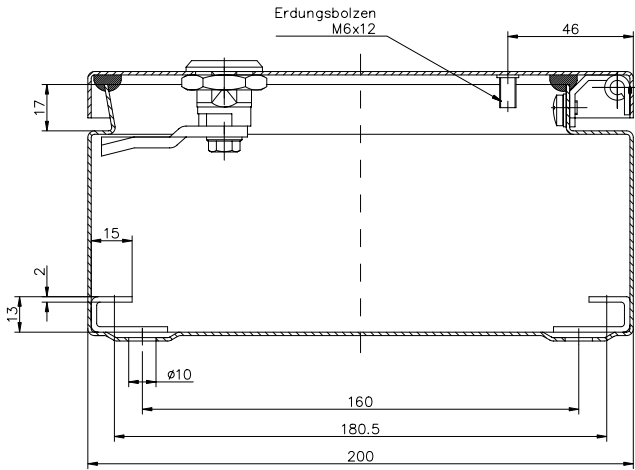
Material	stainless steel 1.25 mm or 1.5 mm 1.4301 / 304 other materials on request
Ingress protection	IP 66 to EN 60529
Seal	VMQ (silicone) EMC on request
Surface	grinded, 240 grain other surface on request
Temperature range	-40°C to +80°C other temperature ranges on request

### Programme range

Order No.	Dimensions (mm) L x W x H	Number of locks	Mounting plate
37.00 22 09	200 x 250 x 97	1	10.01 10 66
37.00 22 15	200 x 250 x 157	1	10.01 10 66
37.00 32 09	300 x 300 x 167	1	10.01 10 67
37.00 33 16	350 x 250 x 97	1	10.01 10 44
37.00 44 16	380 x 380 x 167	1	10.01 10 45
37.00 44 21	380 x 380 x 217	1	10.01 10 45
37.00 53 16	500 x 300 x 167	1	10.01 10 57
37.00 63 16	600 x 300 x 167	1	10.01 10 68
37.00 64 21	600 x 380 x 217	1	10.01 10 69
37.00 99 00	Special sizes (please state requested dimensions)		

### Accessories

Mounting set (gasket, nuts and screws)	37.99 00 01
External mounting bracket (4 pcs.)	37.10 50 00

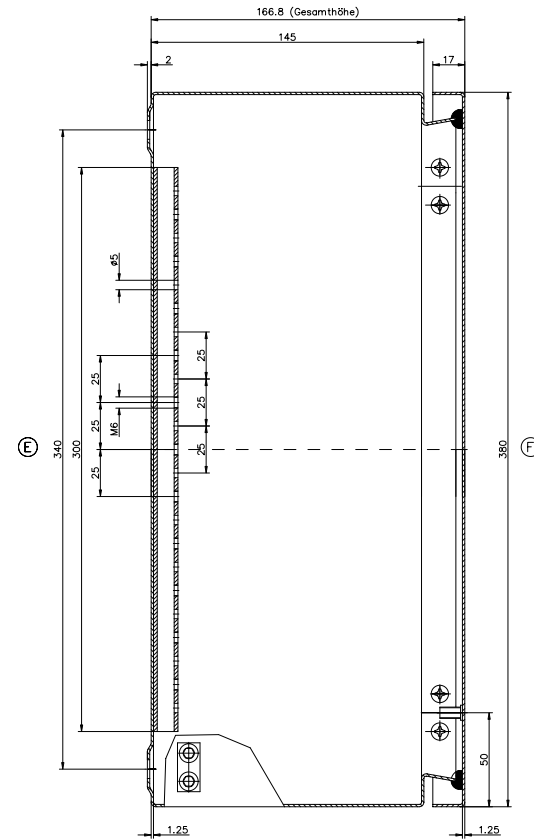
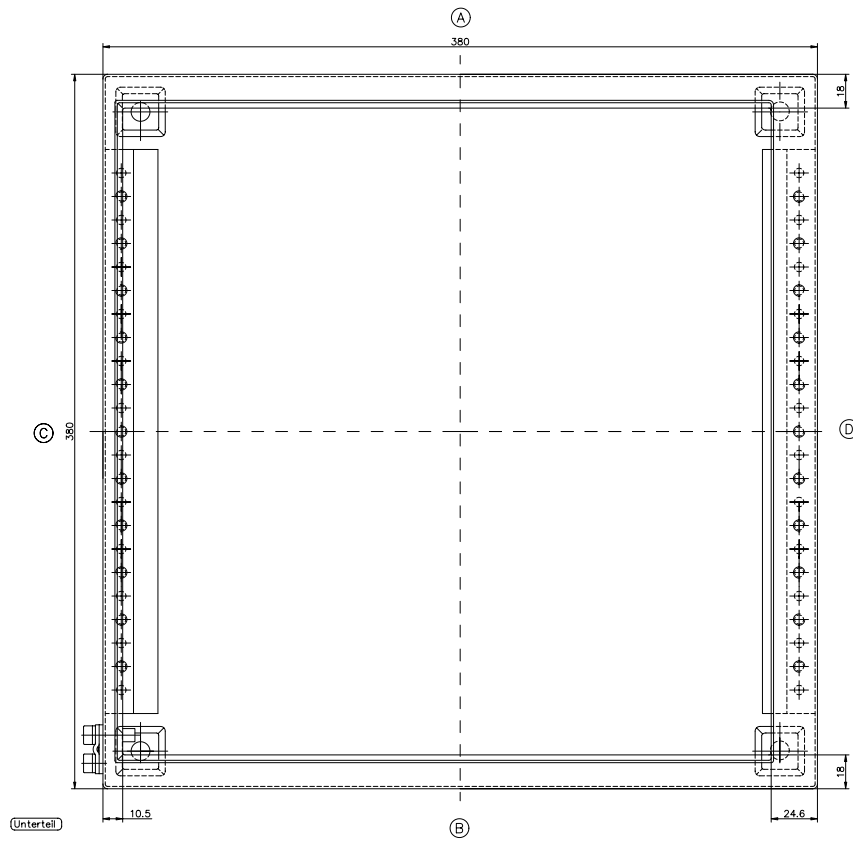
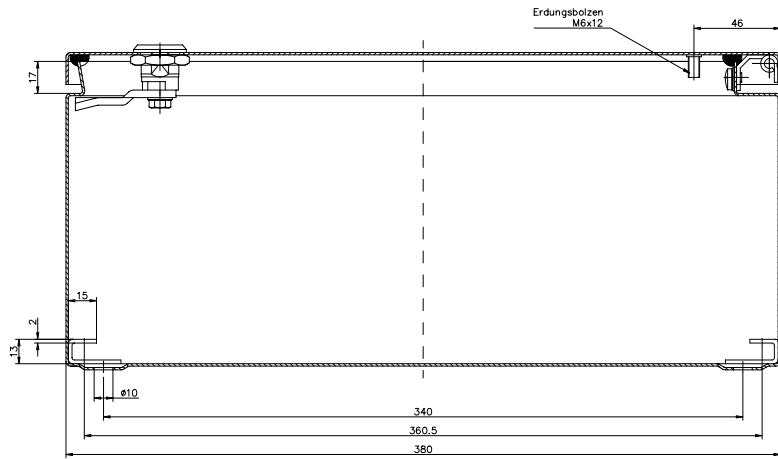


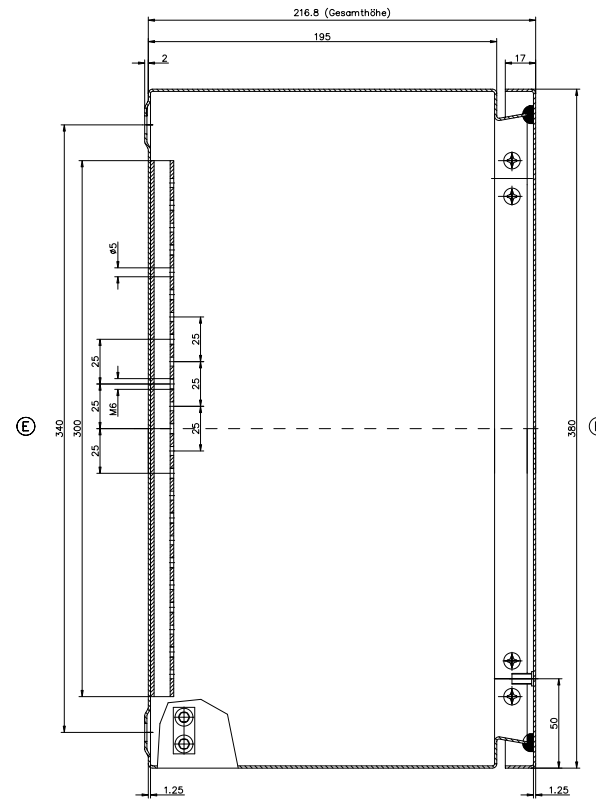
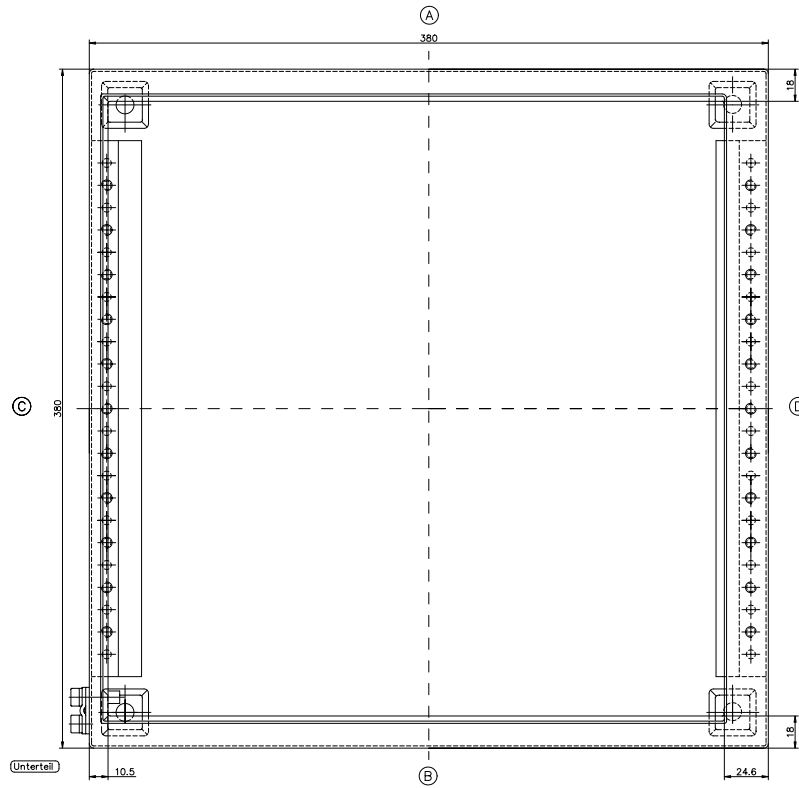
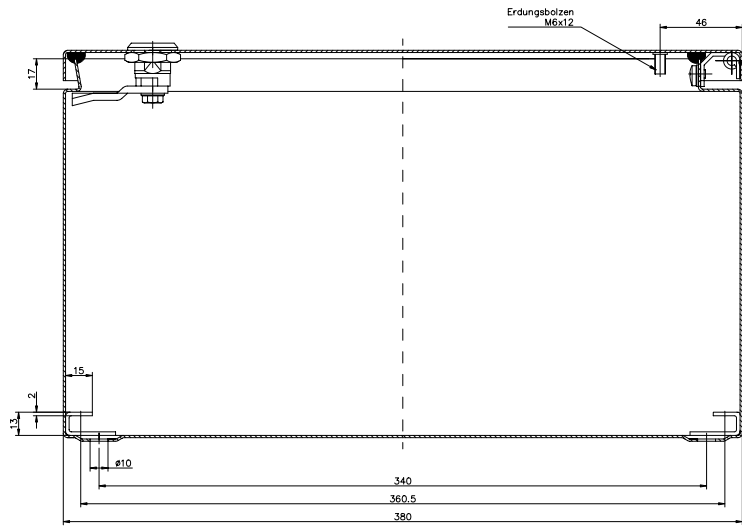
Ex-Edelstahl-Industriegehäuse mit Scharnier IGS  
Bestell-Nr.: 34.002209



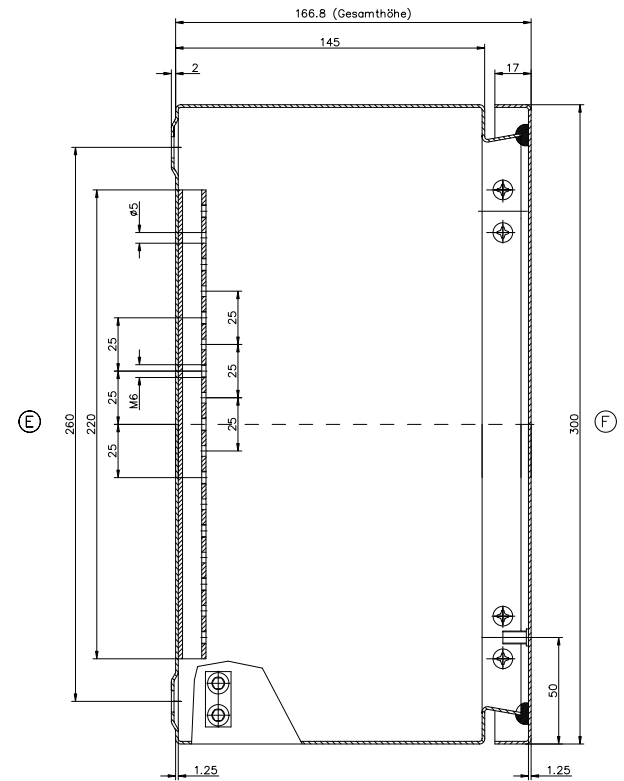
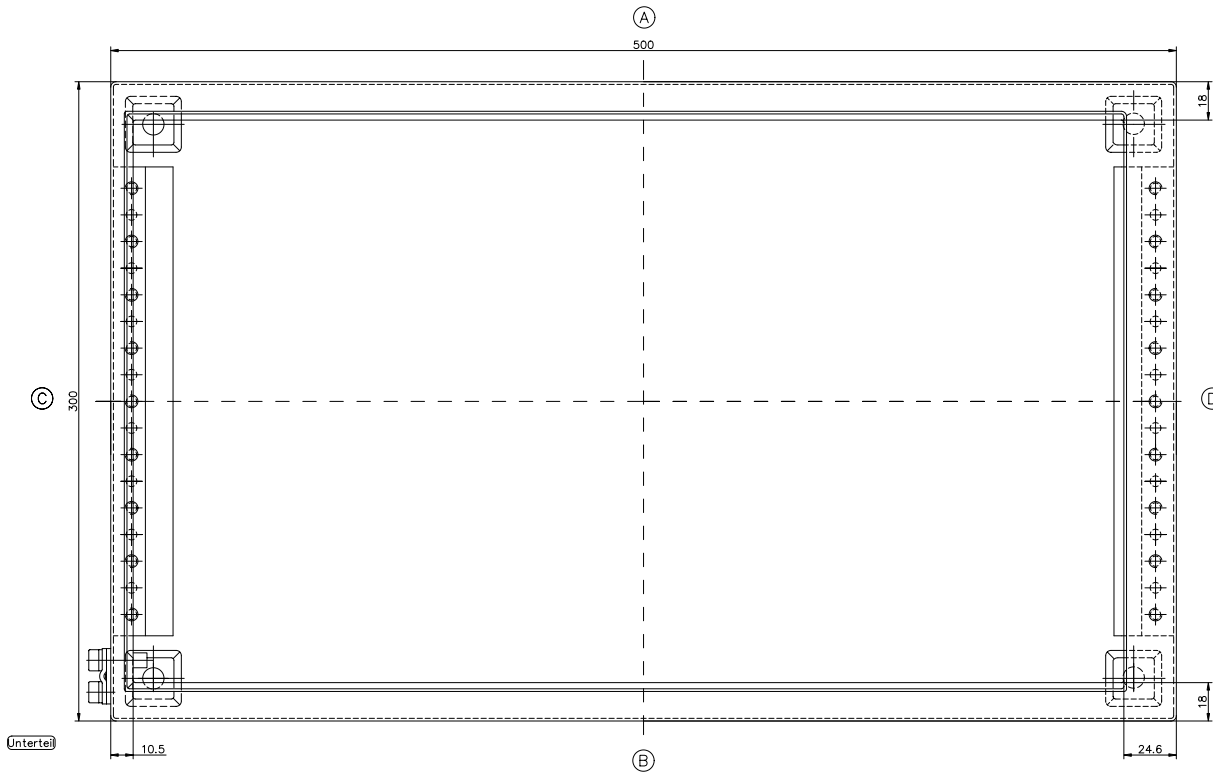
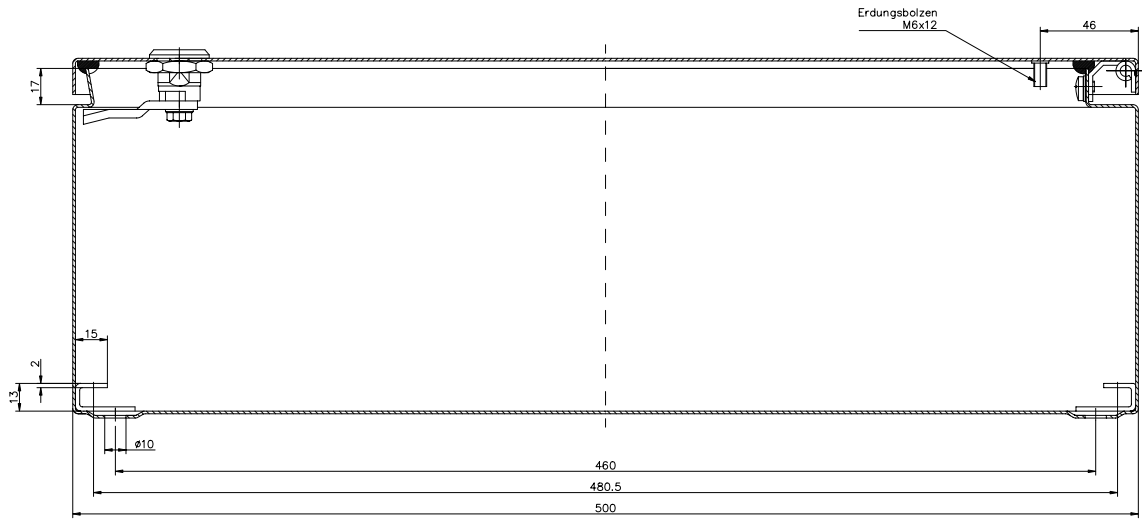




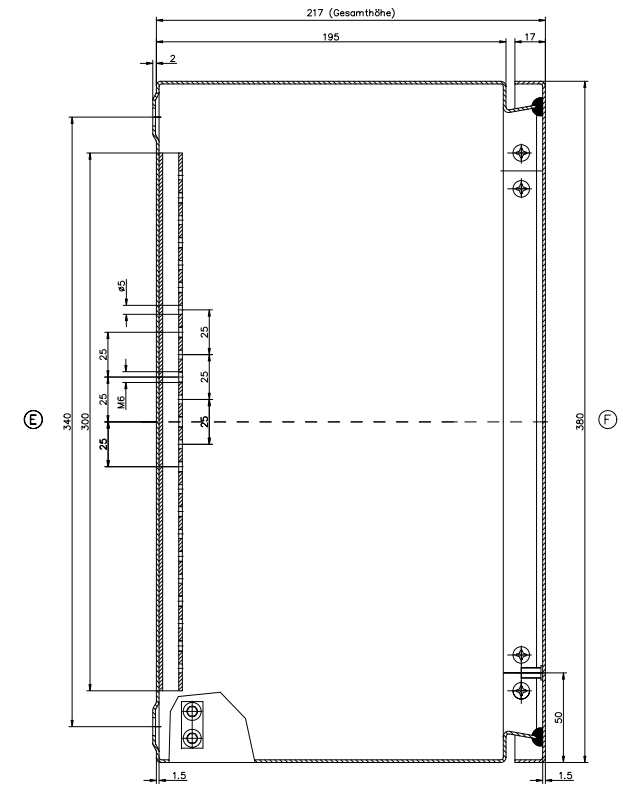
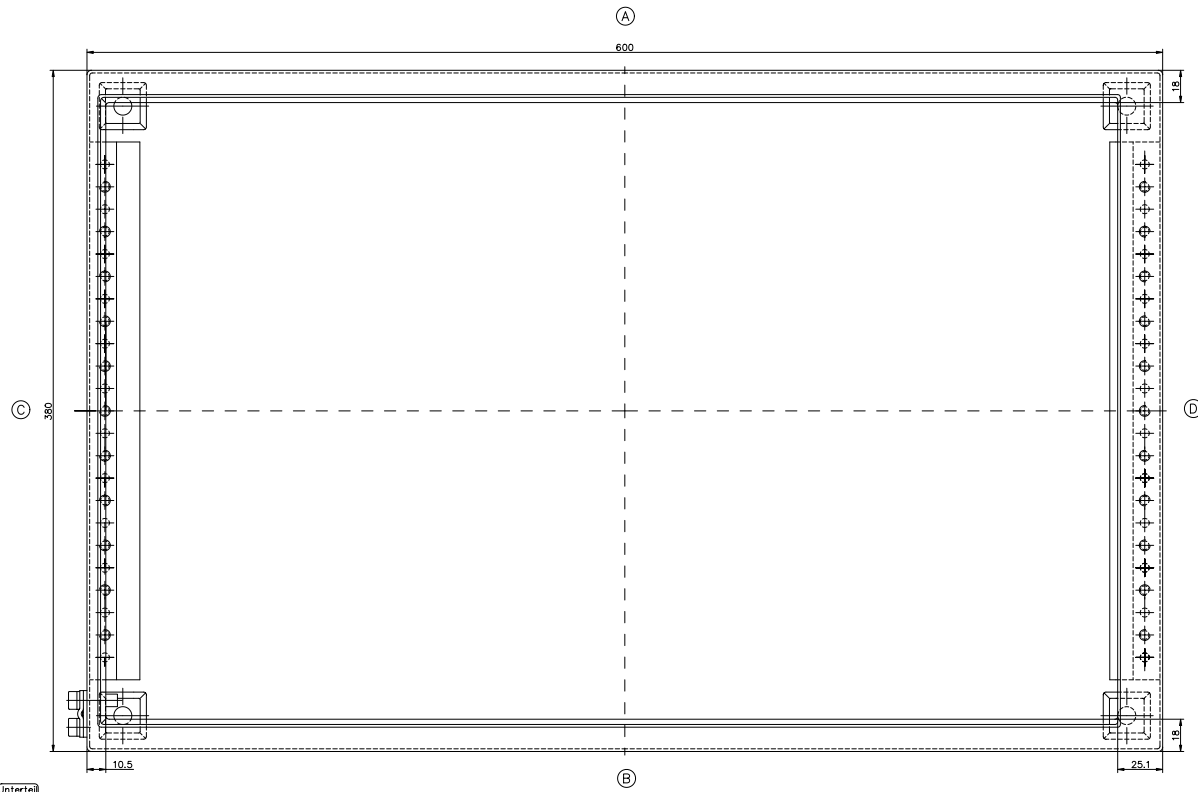
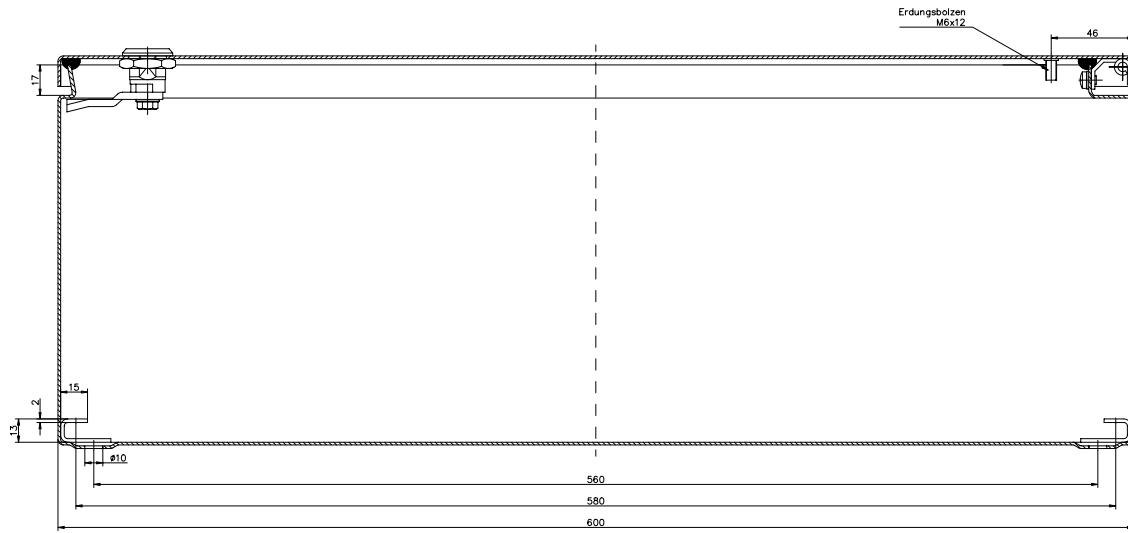




Ex-Edelstahl-Industriegehäuse mit Scharnier IGS  
Bestell-Nr.: 34.004421







Unterteil