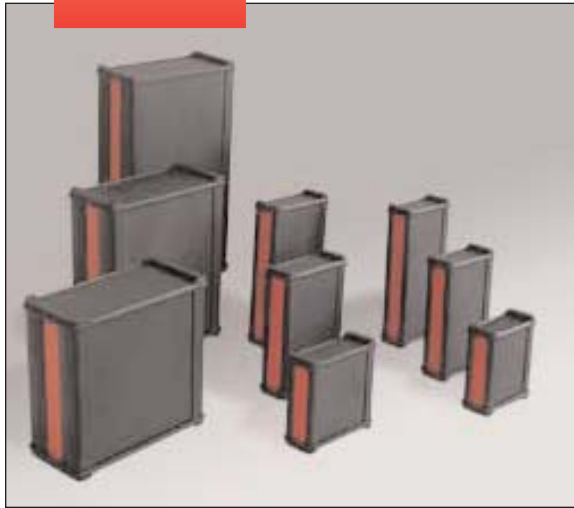


NoVoTronic Product Drawings

Rose+Bopla Enclosures
7330 Executive Way
Frederick, MD 21704
301-696-9800
www.rose-bopla.com
rbinfo@pm-usa.com
Last Updated 9/15/2009

Build-A-Box®



TECHNICAL DATA:

- Color: Profiles and end lids, jet black, similar to RAL 9005
Multi-function profile, ruby red, similar to RAL 3003
- Material—Profile, Aluminum, Al Mg Si 0.5; DIN EN 573
Lid, AISi 12(Fe) DIN EN 1706
- Protection Classifications: IP 65, EN 60529
- Temperature Range: -40°F to +194°F
Cover: -40°F to +140° F
- Tolerances: Profile - DIN EN 12020-2
Lid - DIN 1688 GTA-13

The new Rose NoVoTronic enclosure system offers 5 aluminum profile sizes for robust measurement and control technologies (range-106 mm x 49 mm to 233 mm x 121 mm). Inside each profile

NoVoTronic

are integrated guide grooves for PC boards. Each profile size is available in 3 standard lengths, as well as meter lengths for custom sizing. Profiles and lids are powder-coated jet black, similar to RAL 9005. Multi-function side profiles are powder-coated ruby red, similar to RAL 3003. Accessories include: wall-mount bracket profiles, transparent covers for lids, and foot/connection elements.

The NoVoTronic features 2 multi-function side profiles that can be used for attaching wall-mount brackets, straps, or other mechanical devices without machining the enclosure itself. Diecast aluminum lids with gaskets complete the enclosure and provide protection up to IP 65.

NoVoTronic				
Type	Part #	Width (Inches/mm)	Height (Inches/mm)	Depth (Inches/mm)
NoVoTronic 80/100	07501010	4.17/106	1.93/49	4.72/120
NoVoTronic 80/160	07501011	4.17/106	1.93/49	7.09/180
NoVoTronic 80/200	07501012	4.17/106	1.93/49	8.66/220
NoVoTronic 80/SL*	07501099	4.17/106	1.93/49	SL*
NoVoTronic 100/100	07502010	4.96/126	1.93/49	4.72/120
NoVoTronic 100/160	07050211	4.96/126	1.93/49	7.09/180
NoVoTronic 100/200	07502012	4.96/126	1.93/49	8.66/220
NoVoTronic 100/SL*	07502099	4.96/126	1.93/49	SL*
NoVoTronic 130/130	07502510	6.18/157	2.72/69	5.90/150
NoVoTronic 130/160	07502511	6.18/157	2.72/69	7.09/180
NoVoTronic 130/200	07502512	6.18/157	2.72/69	8.66/220
NoVoTronic 130/SL*	07502599	6.18/157	2.72/69	SL*
NoVoTronic 160/160	07503010	7.48/190	3.54/90	7.09/180
NoVoTronic 160/200	07503011	7.48/190	3.54/90	8.66/220
NoVoTronic 160/300	07503012	7.48/190	3.54/90	12.60/320
NoVoTronic 160/SL*	07503099	7.48/190	3.54/90	SL*
NoVoTronic 200/220	07504010	9.17/233	4.76/121	9.45/240
NoVoTronic 200/280	07504011	9.17/233	4.76/121	11.81/300
NoVoTronic 200/330	07504012	9.17/233	4.76/121	13.78/350
NoVoTronic 200/SL*	07504099	9.17/233	4.76/121	SL*

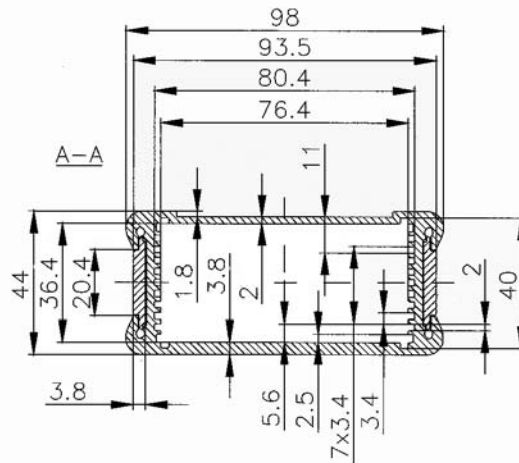
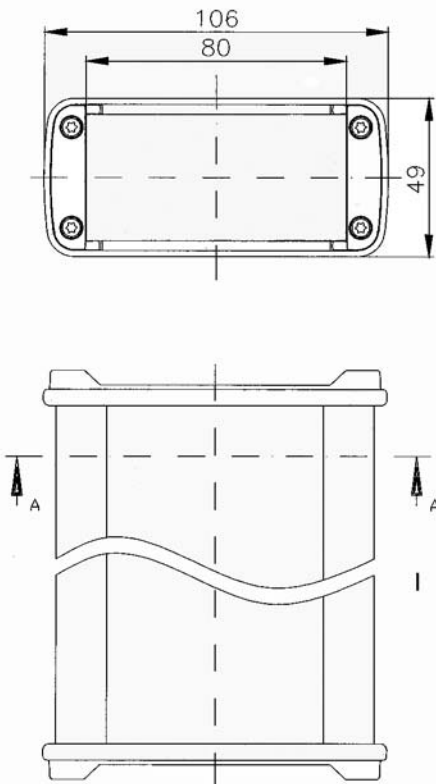
SL* = Special Length

Note: Dimensions are external (with lids). Metric is the primary dimension. Inch conversions are for the user's convenience and are for reference only.

NoVoTronic 80		
Type	Part Number	Description
NoVoTronic 80/100	07501010	Aluminum profile enclosure system
NoVoTronic 80/160	07501011	Aluminum profile enclosure system
NoVoTronic 80/200	07501012	Aluminum profile enclosure system
NoVoTronic 80/SL*	07501099	Aluminum profile enclosure system
Accessories		
Part Number	Description	
07509011	Wall profile 80/100-100	
07509012	Wall profile 80/100-160	
07509013	Wall profile 80/100-200	
07509099	Wall profile 80/100-SL*	
07509002	Lid wall holder 80/100	
07509003	NoVo wall holder P80	
07509006	Foot/connection element 80	
83900003	Battery insert 9V block	
83900006	Battery insert 4xAA	
07509214	NoVoTronic PCB profile 80/100 (on request)	



*SL = Special Length



NoVoTronic 80				
Type	Part #	Width Inches/mm	Height Inches/mm	Depth Inches/mm
NoVoTronic 80/100	07501010	4.17/106	1.93/49	4.72/120
NoVoTronic 80/160	07501011	4.17/106	1.93/49	7.09/180
NoVoTronic 80/200	07501012	4.17/106	1.93/49	8.66/220
NoVoTronic 80/SL*	07501099	4.17/106	1.93/49	*SL

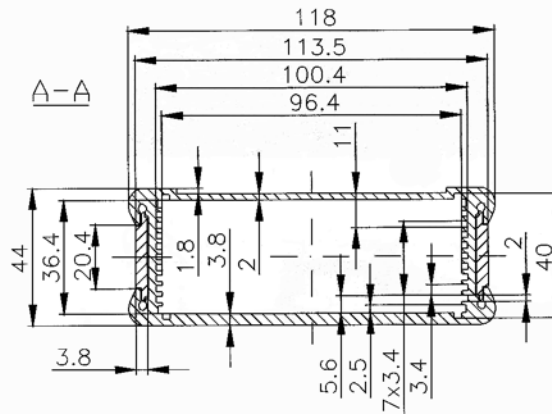
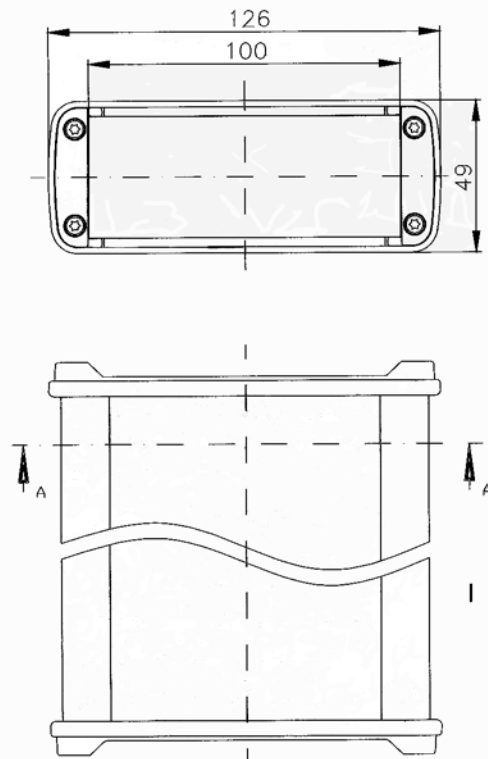
*SL = Special Length. Note: Dimensions are external (with lids). Metric is the primary dimension. Inch conversions are for the user's convenience and are for reference only.

Build-A-Box®



NoVoTronic 100		
Type	Part Number	Description
NoVoTronic 100/100	07502010	Aluminum profile enclosure system
NoVoTronic 100/160	07502011	Aluminum profile enclosure system
NoVoTronic 100/200	07502012	Aluminum profile enclosure system
NoVoTronic 100/SL*	07502099	Aluminum profile enclosure system
Accessories		
Part Number	Description	
07509011	Wall profile 80/100-100	
07509012	Wall profile 80/100-160	
07509013	Wall profile 80/100-200	
07509099	Wall profile 80/100-SL*	
07509002	Lid wall holder 80/100	
07509004	NoVo wall holder P100	
07509007	Foot/connection element 100	
83900003	Battery insert 9V block	
83900006	Battery insert 4xAA	
07509214	NoVoTronic PCB profile 80/100 (on request)	

NoVoTronic 100



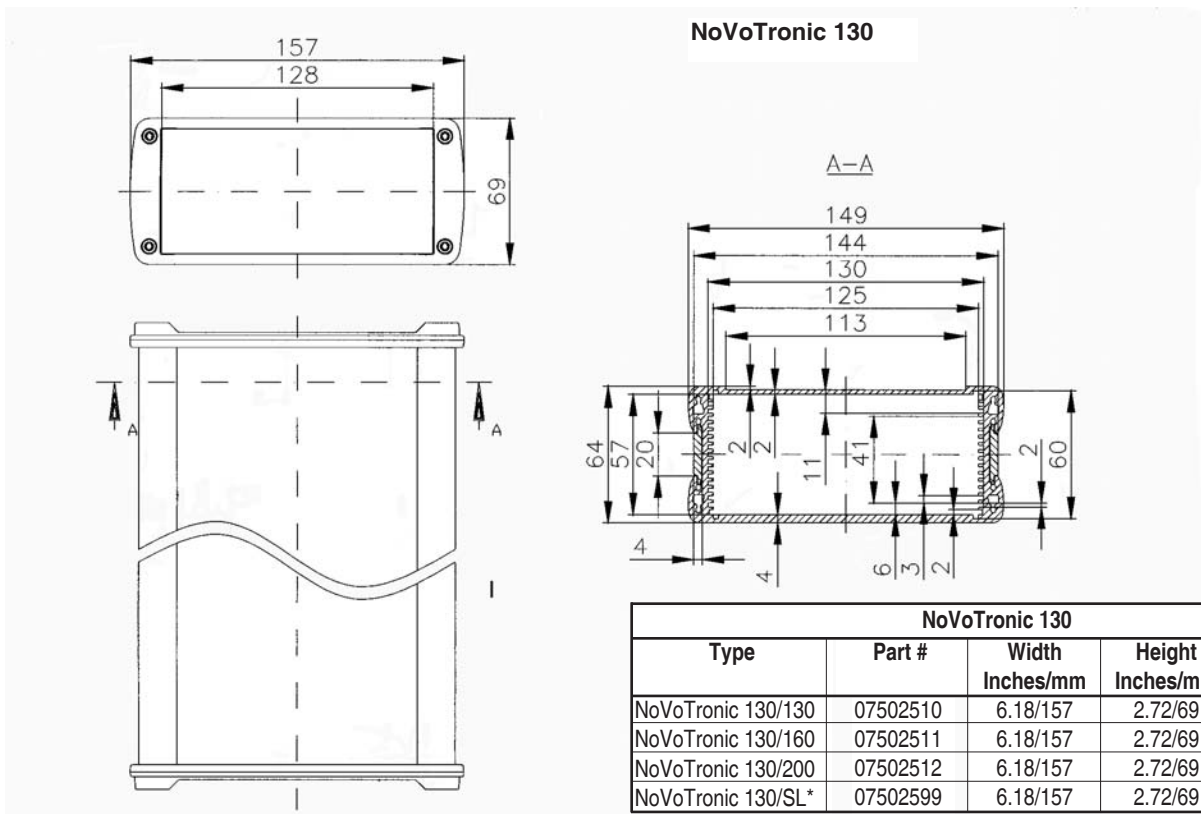
NoVoTronic 100				
Type	Part #	Width Inches/mm	Height Inches/mm	Depth Inches/mm
NoVoTronic 100/100	07502010	4.96/126	1.93/49	4.72/120
NoVoTronic 100/160	07502011	4.96/126	1.93/49	7.09/180
NoVoTronic 100/200	07502012	4.96/126	1.93/49	8.66/220
NoVoTronic 100/SL*	07502099	4.96/126	1.93/49	*SL

*SL = Special Length. Note: Dimensions are external (with lids). Metric is the primary dimension. Inch conversions are for the user's convenience and are for reference only.

NoVoTronic 130		
Type	Part Number	Description
NoVoTronic130/130	07502510	Aluminum profile enclosure system
NoVoTronic 130/160	07502511	Aluminum profile enclosure system
NoVoTronic 130/200	07502512	Aluminum profile enclosure system
NoVoTronic 130/SL*	07502599	Aluminum profile enclosure system

Accessories	
Part Number	Description
07509111	Wall profile 130/160-130
07509112	Wall profile 130/160-160
07509113	Wall profile 130/160-200
07509114	Wall profile 130/160-300
07509199	Wall profile 130/160-SL*
07509015	NoVo wall holder P130 (on request)
07509014	Foot/connection element 130 (on request)
83900003	Battery insert 9V block
83900006	Battery insert 4xAA

*SL=Special Length



NoVoTronic 130				
Type	Part #	Width Inches/mm	Height Inches/mm	Depth Inches/mm
NoVoTronic 130/130	07502510	6.18/157	2.72/69	5.90/150
NoVoTronic 130/160	07502511	6.18/157	2.72/69	7.09/180
NoVoTronic 130/200	07502512	6.18/157	2.72/69	8.66/220
NoVoTronic 130/SL*	07502599	6.18/157	2.72/69	SL*

*SL = Special Length. Note: Dimensions are external (with lids). Metric is the primary dimension. Inch conversions are for the user's convenience and are for reference only.

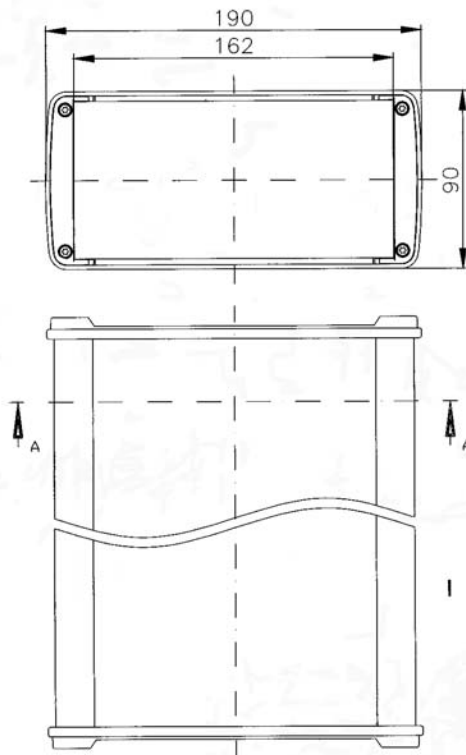
Build-A-Box®



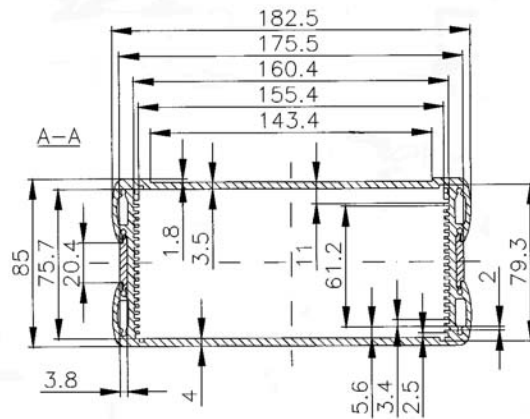
NoVoTronic 160		
Type	Part Number	Description
NoVoTronic160/160	07503010	Aluminum profile enclosure system
NoVoTronic 160/200	07503011	Aluminum profile enclosure system
NoVoTronic 160/300	07503012	Aluminum profile enclosure system
NoVoTronic 160/SL*	07503099	Aluminum profile enclosure system

Accessories	
Part Number	Description
07509111	Wall profile 130/160-130
07509112	Wall profile 130/160-160
07509113	Wall profile 130/160-200
07509114	Wall profile 130/160-300
07509199	Wall profile 130/160-SL*
07509005	NoVo wall holder P160
07509008	Foot connection element 160
83900003	Battery insert 9V block
83900006	Battery insert 4xAA
07509010	Transparent cover 160

*SL=Special Length



NoVoTronic 160



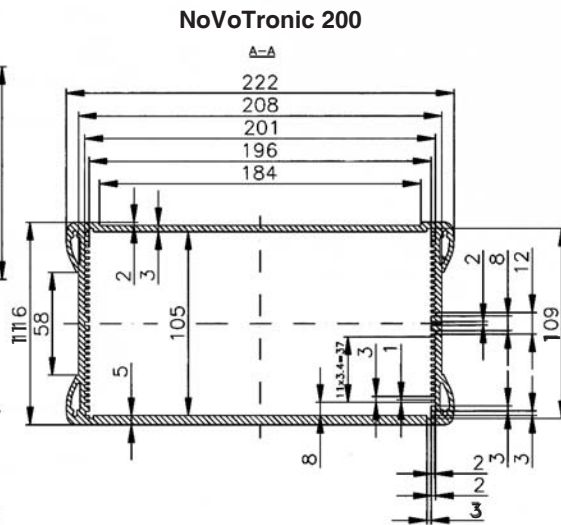
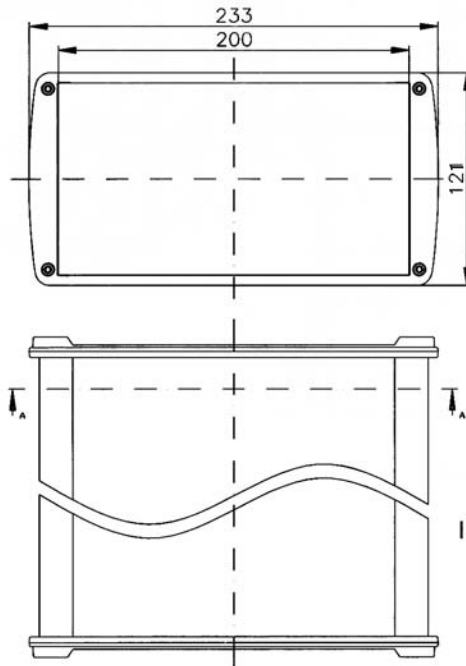
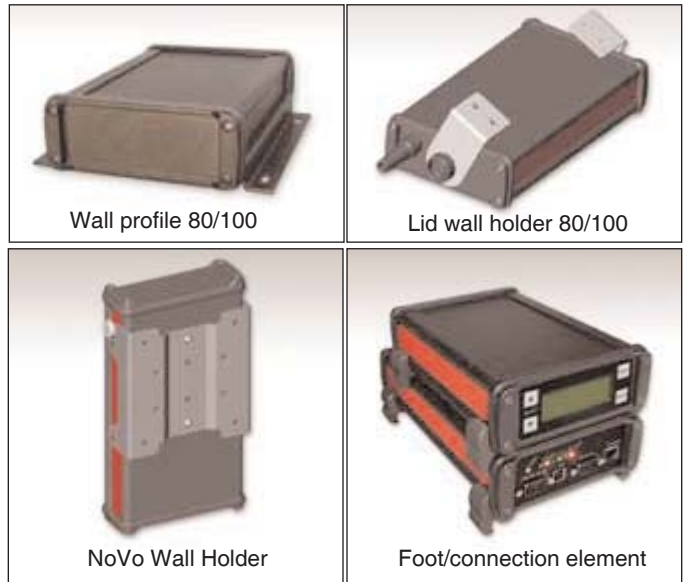
NoVoTronic 160				
Type	Part #	Width Inches/mm	Height Inches/mm	Depth Inches/mm
NoVoTronic 160/160	07503010	7.48/190	3.54/90	7.09/180
NoVoTronic 160/200	07503011	7.48/190	3.54/90	8.66/220
NoVoTronic 160/300	07503012	7.48/190	3.54/90	12.60/320
NoVoTronic 160/SL*	07503099	7.48/190	3.54/90	*SL

*SL = Special Length. Note: Dimensions are external (with lids). Metric is the primary dimension. Inch conversions are for the user's convenience and are for reference only.

NoVoTronic 200		
Type	Part Number	Description
NoVoTronic200/220	07504010	Aluminum profile enclosure system
NoVoTronic 200/280	07504011	Aluminum profile enclosure system
NoVoTronic 200/330	07504012	Aluminum profile enclosure system
NoVoTronic 200/SL*	07504099	Aluminum profile enclosure system

Accessories	
Part Number	Description
83900003	Battery insert 9V block
83900006	Battery insert 4xAA
07509211	NoVoTronic PCB profile 200-220
07509212	NoVoTronic PCB profile 200-280
07509213	NoVoTronic PCB profile 200-330
07529299	NoVoTronic PCB profile 200-SL

*SL=Special Length

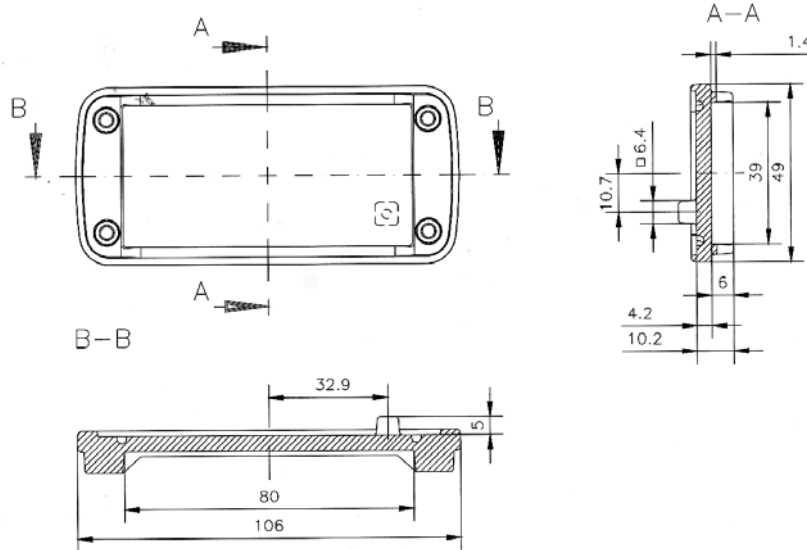


NoVoTronic 200				
Type	Part #	Width Inches/mm	Height Inches/mm	Depth Inches/mm
NoVoTronic 200/220	07504010	9.17/233	4.76/121	9.45/240
NoVoTronic 200/280	07504011	9.17/233	4.76/121	11.81/300
NoVoTronic 200/330	07504012	9.17/233	4.76/121	13.78/350
NoVoTronic 200/SL*	07504099	9.17/233	4.76/121	*SL

*SL = Special Length. Note: Dimensions are external (with lids). Metric is the primary dimension. Inch conversions are for the user's convenience and are for reference only.

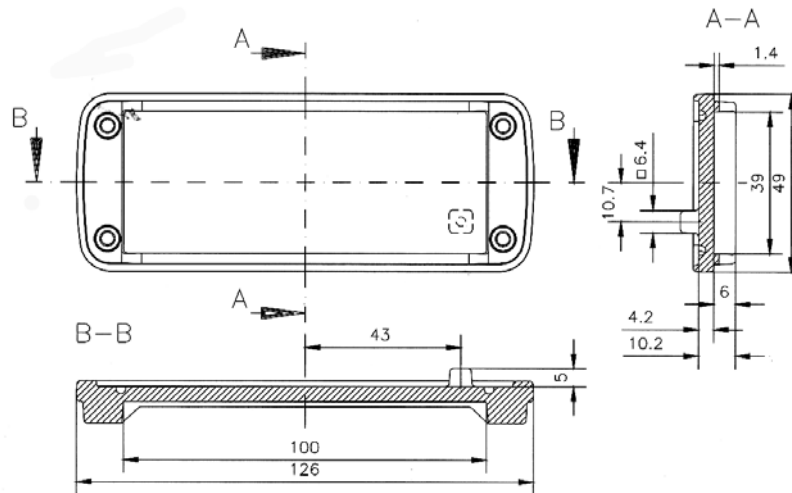
End Lid

NoVoTronic 80



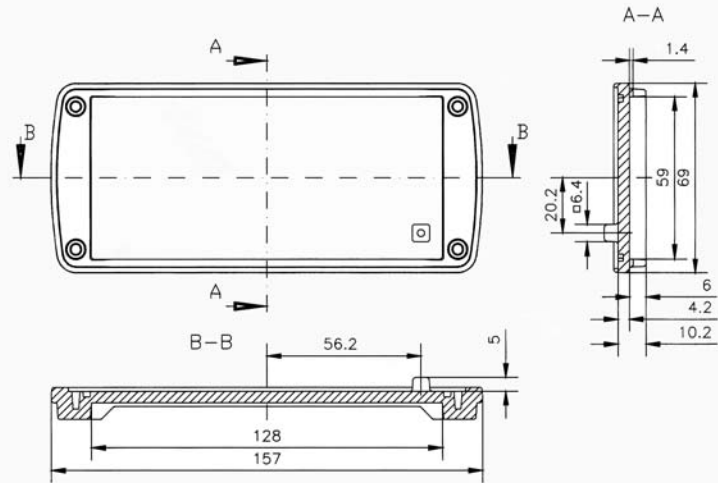
End Lid

NoVoTronic 100



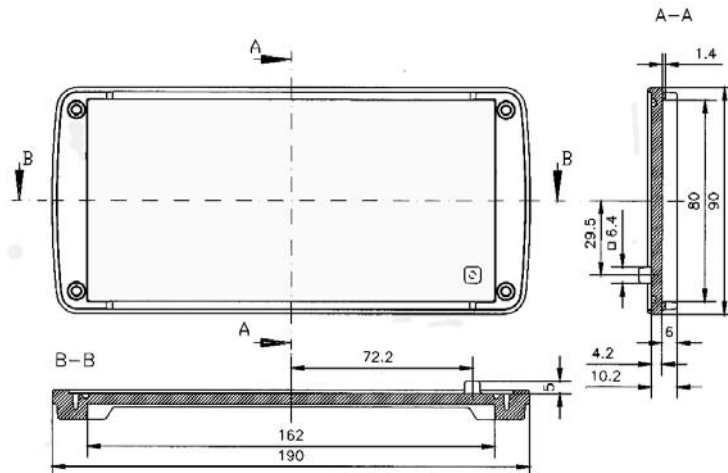
End Lid

NoVoTronic 130



End Lid

NoVoTronic 160



End Lid

NoVoTronic 200

