

Pilot 250

Industrial Handheld Enclosure Series



For Finishing Services, Product Support, or to Order

Call 1-301-696-9800



- Polyamide hand held enclosure for MCR- and automation engineering
- Large fitting space
- Version with closed or front frame cover
- Rear battery compartment
- Optional EMC version with internal coating and EMC seal

Included in delivery

Double-skinned enclosure with top and base unit, each with fixing domes, battery compartment cover, fastening and enclosure screws

Technical data

Material:

polyamide

Ingress protection:

IP 65 to EN 60529

Impact resistance:

7 Joule to EN 60079-0

Flammability:

HB / UL 94

Colour:

base and lid: RAL 7021, black grey

rear cover: RAL 5003, sapphire blue

Temperature range:

-40°C to +60°C

Pilot 250

Programme range

Enclosure type	Order No.	Version upper liner	Dimensions W x L x H (mm)	Weight (kg)
Pilot 250/1	29.25 00 01	closed	140/120 x 280 x 86	0.7
Pilot 250/2	29.25 00 02	as frame for front panel mounting	140/120 x 280 x 86	0.46

Accessories

Front panel, aluminium for Pilot 250/2	29.25 01 01
Magnet holder round	29.25 01 02
Battery holder for fixing in the enclosure base for 4 round cells	29.25 01 03
Battery holder for fixing in the enclosure base for 9V battery	29.25 01 04
Wall fixing (2 hooks, 2 bolts with screws)	29.25 01 05
Cable gland with bending protection M 16 x 1,5	08.10 01 16
Cable gland with bending protection M 20 x 1,5	08.10 01 20
Enabling switch (3-steps)	on request



Electromechanical components

On request, we can supply equipment fitted with electro-mechanical components such as emergency stop button, acknowledge keys, hand wheel, switches, display



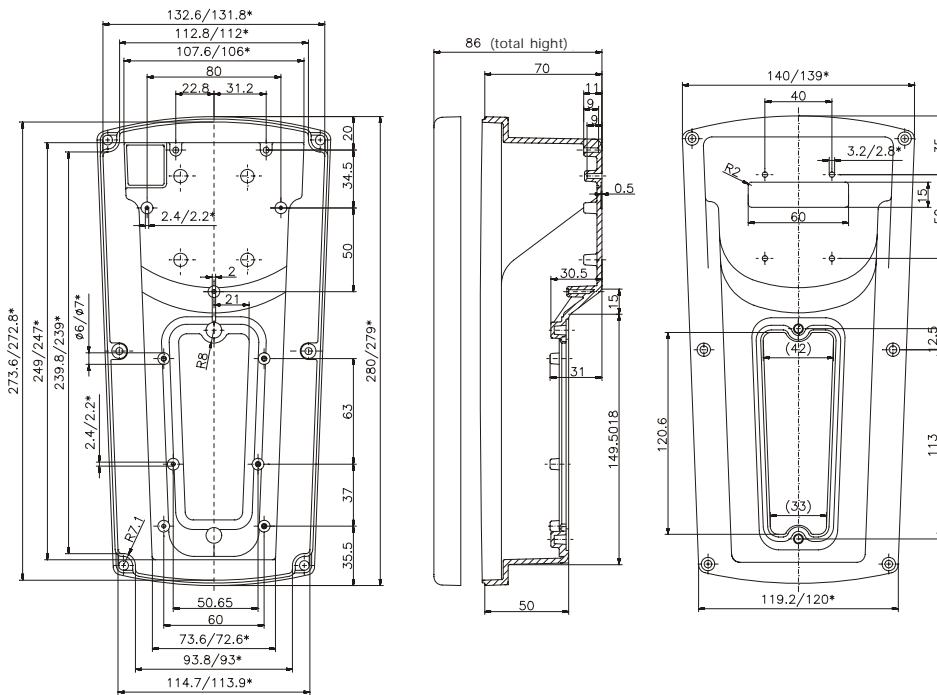
Battery holder

for fixing in enclosure base for 4 micro-cells R6 or 9 V monobloc battery

Dimensions



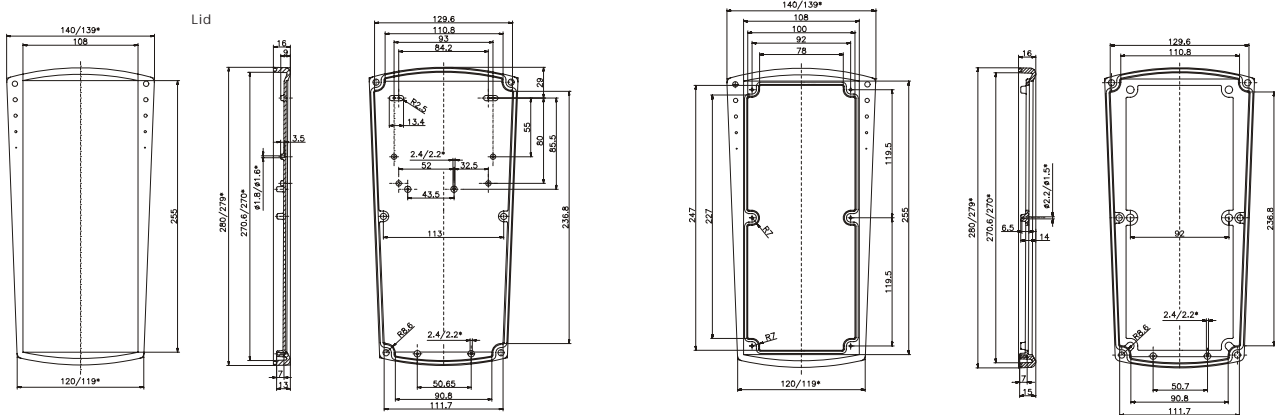
Type	Version	Order No.
Pilot 250/1	closed	29.25 00 01
Pilot 250/2	lid frame	29.25 00 02



* = Conical form tapering downwards

Closed lid

Lid frame



Pilot 250



Pilot with membrane keypad



Rear cover



Large mounting space for electronic assemblies



Wall mounting device



Magnetic holder



Cable gland