



**ROSE+BOPLA**

A Phoenix Mecano Company

# BOCARD-400 Components

Modular Control Enclosure System



For Finishing Services, Product Support, or to Order

Call 1-301-696-9800

# BOCARD



**BOCARD** – this is the new concept for applications in the field of measurement, control and automatic control technology. The enclosure is ideal for use in the field of mobile data processing.

The ABS design-oriented enclosure system is available in 5 basic sizes. For each size, 2 bases with different heights can be combined with different lid variants. This set of combinations coupled with the comprehensive range of accessories ensures that the enclosure is suitable for an extremely wide range of applications.

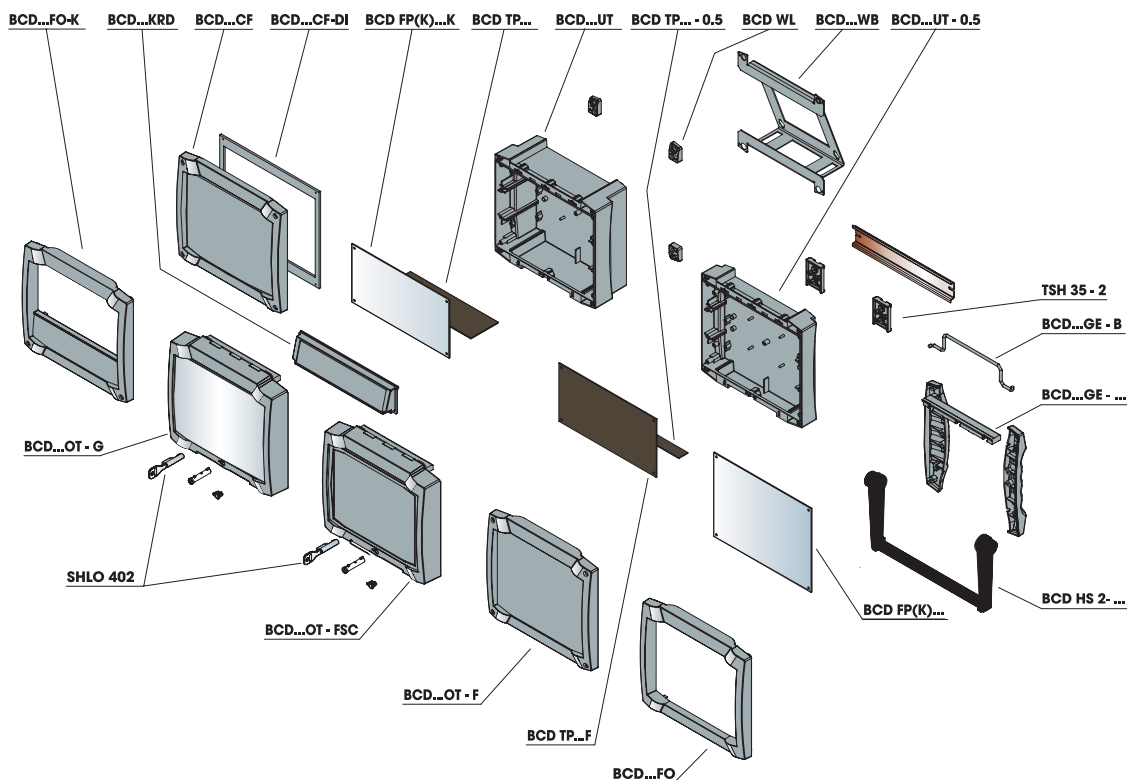
An additional important feature is the variable terminal compartment, which is an integral part of the design. The terminal compartment can be kept separate from the electronics compartment by means of partitions. High parts such as double-deck terminals can also be easily incorporated. A wide variety of accessories completes this range of products. The enclosures with a clear swivelling lid, membrane lid and hinged membrane lid provide ingress protection IP 65; all other types provide ingress protection IP 40.

Additional information on the entire BOCARD programme can be found in the "the red book" general catalogue starting on page 282.

## Note

Starting in autumn 2007  
**BOCARD** is available in 2 new sizes.  
 Information starting on page 6.

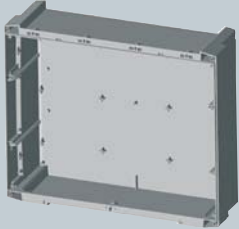
### BOCARD overview:



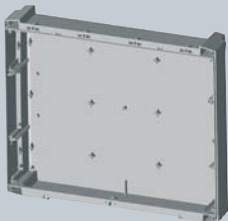
Z-2602437



# BOCARD BCD 400



The high base, available in light grey, can be combined with different front elements (see page 12). Additional accessories e.g. front panels, mounting panels or partitions can be found on our website at [www.bopla.de](http://www.bopla.de). Ingress protection of IP 65 is achieved.



The flat base, available in light grey, can be combined with different front elements (see page 12). Additional accessories e.g. front panels, mounting panels or partitions can be found on our website at [www.bopla.de](http://www.bopla.de). Ingress protection of IP 65 is achieved.

### Base, high

#### Order designation

Model	Order no.	H	W	D	Designation
BCD 400 UT-7035	20400135	338	400	123	Base, high, light grey, sim. to RAL 7035

#### Scope of delivery:

1 base, high

#### Note:

The high base has the following features:

- PCB slots
- Fixing domes for PCBs, mounting plates and DIN rails
- Variable terminal compartment(s) can be sealed off by means of partitions
- Front panels, max. 3 mm thick, can be fitted
- No pre-punchings; smooth external surfaces for customers' individual design of the cable inlets and connections
- Depending on which side is used for installation, cable glands are partially covered
- Wall assembly via the integrated 4-point wall fixing system or with wall brackets (accessory)
- 2 different lids can be fitted: BCD 400 OT-G-..., BCD 400 OT-FSC-...

### Base, flat

#### Order designation

Model	Order no.	H	W	D	Designation
BCD 400 UT-0,5-7035	20400235	338	400	74.5	Base, flat, light grey, sim. to RAL 7035

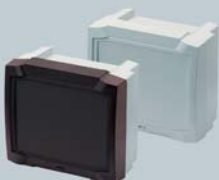
#### Scope of delivery:

1 base, flat

#### Note:

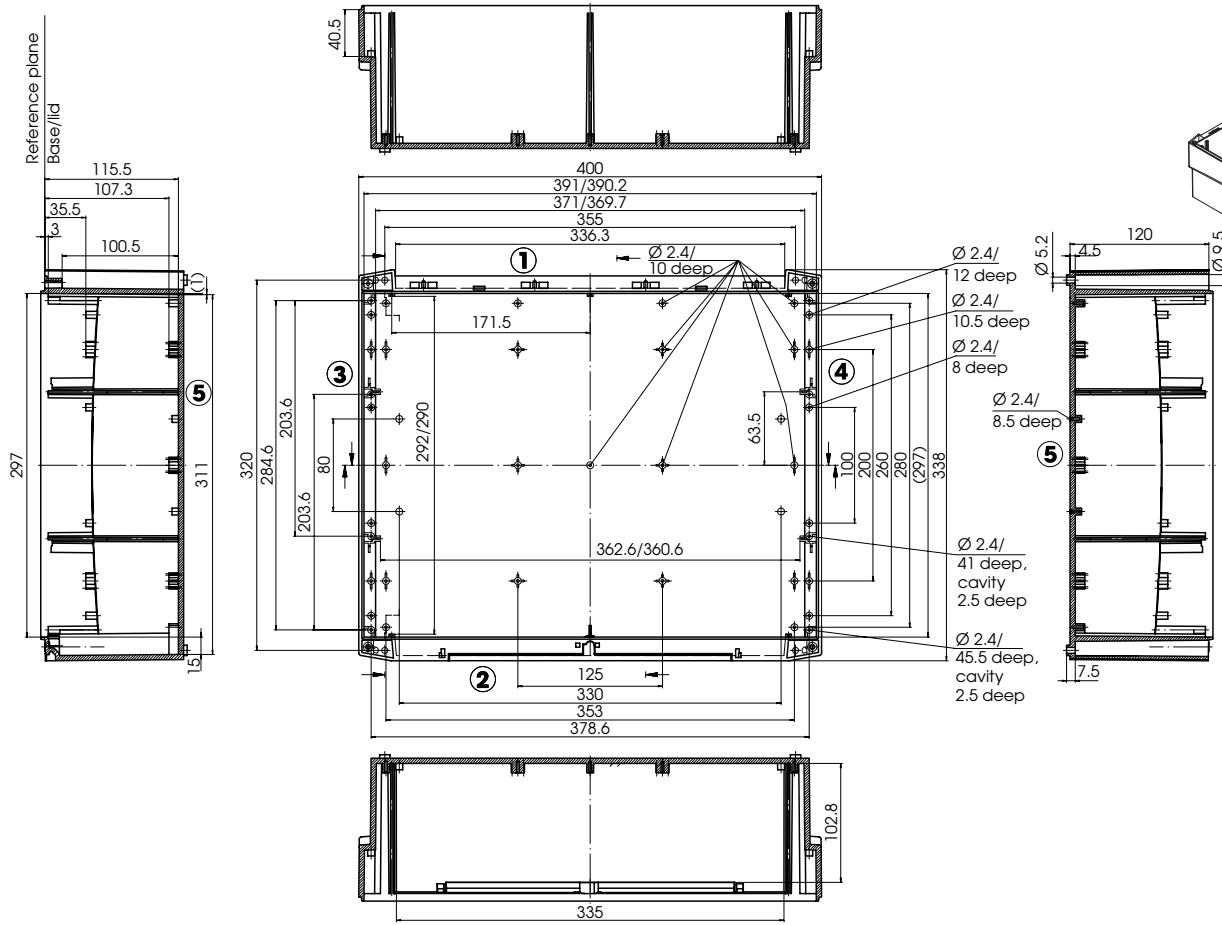
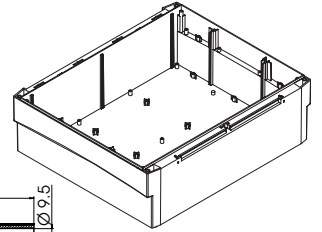
The flat base has the following features:

- PCB slots
- Fixing domes for PCBs, mounting plates and DIN rails
- Variable terminal compartment(s) can be sealed off by means of partitions
- Front panels, max. 3 mm thick, can be fitted
- No pre-punchings; smooth external surfaces for customers' individual design of the cable inlets and connections
- Depending on which side is used for installation, cable glands are partially covered
- Wall assembly via the integrated 4-point wall fixing system or with wall brackets (accessory)
- 2 different lids can be fitted: BCD 400 OT-G-..., BCD 400 OT-FSC-...



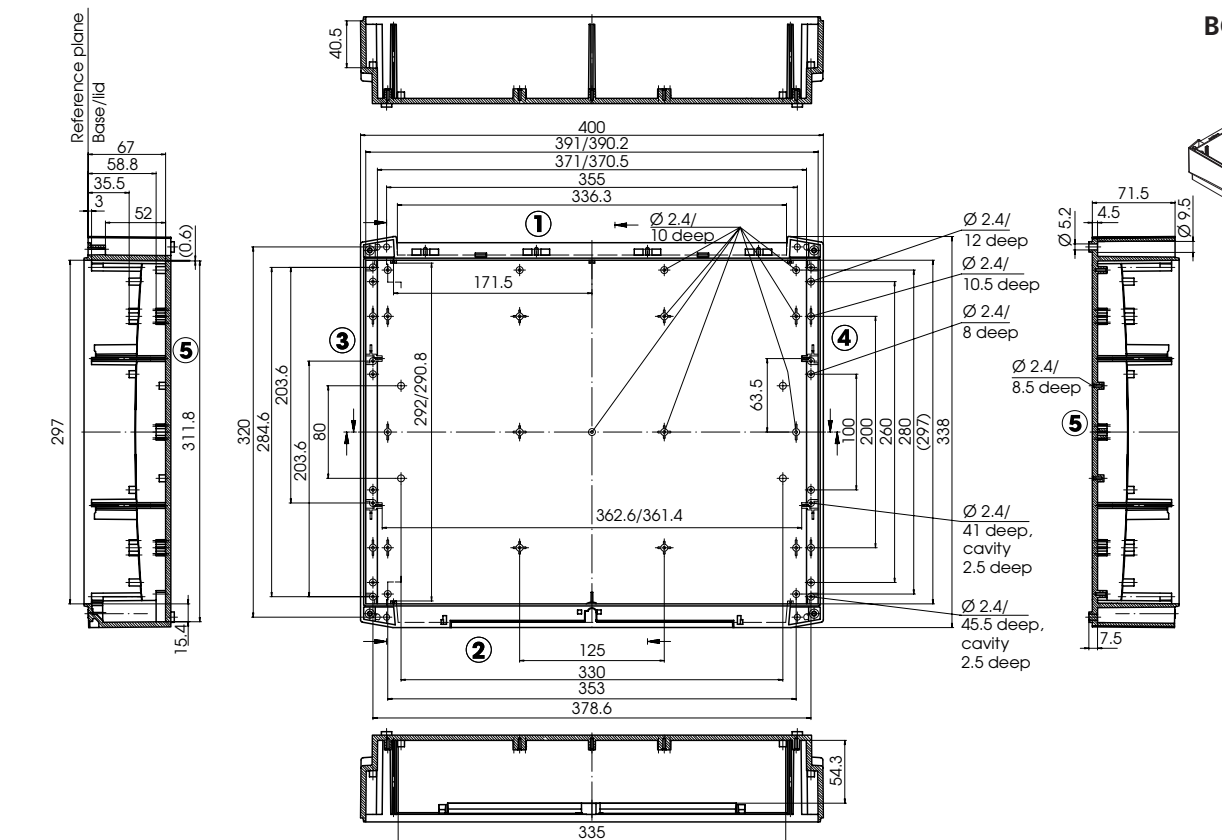
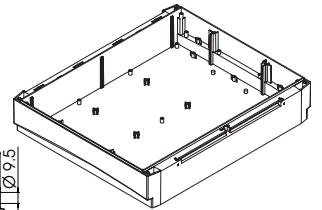
As an alternative to the individual BOCARD parts (size 400), complete sets of this size can be ordered. These include in each case a high or a flat base and the clear, hinged lids or hinged membrane lids. Additional information on these enclosure types can be found on our website at [www.bopla.de](http://www.bopla.de).

### BCD 400 UT-7035



Z-2602797

### BCD 400 UT-0,5-7035

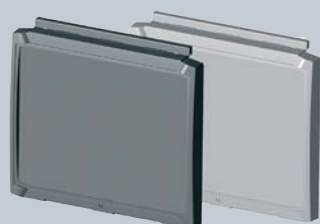


Z-2602798

# BOCARD BCD 400



The BCD 400 OT-G-... consists of a clear lid with a frame in light grey or graphite grey which contains the hinge and the snap-lock mechanism. The BCD 400 OT-G-... can be opened to more than 180° and is protected against being dropped accidentally.



The BCD 400 OT-FSC-... consists of a membrane lid to hold front membranes of membrane keypads and which contains the hinge and the snap-lock mechanism. The BCD 400 OT-FSC-... can be opened to more than 180° and is protected against being dropped accidentally.



The terminal compartment lid is available in light grey or graphite grey and has an area recessed by 1.5 mm to hold front membranes or membrane keypads. The ingress protection of the enclosure is not affected by the terminal compartment lid, which is inside the seal section (integrated).

## Clear lid, hinged

### Order designation

Model	Order no.	H	W	D	Designation
BCD 400 OT-G-7035	20401035	344	404	37.5	Clear lid, hinged with snap lock, light grey, sim. to RAL 7035
BCD 400 OT-G-7024	20401024	344	404	37.5	Clear lid, hinged with snap lock, graphite grey, sim. to RAL 7024

### Scope of delivery:

1 lid, hinged  
1 catch  
1 blind plug

### Assembly note:

The OT-G hinge is latched onto the base.

To open: The catch is not necessary for manual opening. The blind plug can be inserted to improve the appearance. (catch and blind plug are included in the scope of delivery).

If the catch is used, after closing the enclosure can only be opened with a tool (slotted-head screwdriver). A cylinder lock (optional) can also be fitted to prevent unauthorised opening of the enclosure. For lock SHLO 402, see Accessories on page 319 of the "the red book" general catalogue.

## Membrane lid, hinged

### Order designation

Model	Order no.	H	W	D	Designation
BCD 400 OT-FSC-7035	20401535	344	404	37.5	Membrane lid, hinged with snap lock, light grey sim. to RAL 7035
BCD 400 OT-FSC-7024	20401524	344	404	37.5	Membrane lid, hinged with snap lock, graphite grey sim. to RAL 7024

### Scope of delivery:

1 membrane lid  
1 catch, 1 blind plug

### Assembly note:

The OT-FSC-... latches onto the base. For additional information on mounting, see BCD 400 OT-G-...

## Terminal compartment lid

### Order designation

Model	Order no.	H	W	D	Designation
BCD 400 KRD-7035	20402035	83	390	20	Terminal compartment lid, light grey, sim. to RAL 7035
BCD 400 KRD-7024	20402024	83	390	20	Terminal compartment lid, graphite grey, sim. to RAL 7024

### Scope of delivery:

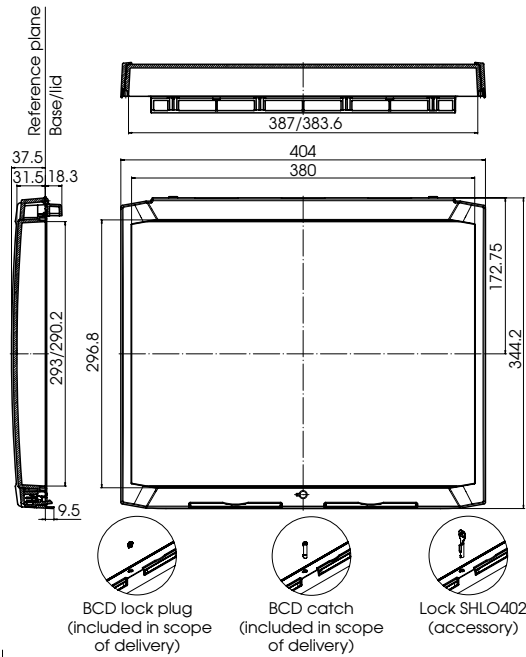
1 terminal compartment lid,  
2 screws

### Note:

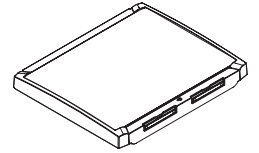
The terminal compartment lid closes the terminal compartment after the base has been divided by means of partitions and front panels. Assembly is by means of hooking in and screwing (screws are included in the scope of delivery). The terminal compartment can be arranged on the hinged side or the locking side, as required. It is also possible to set up 2 terminal compartments.



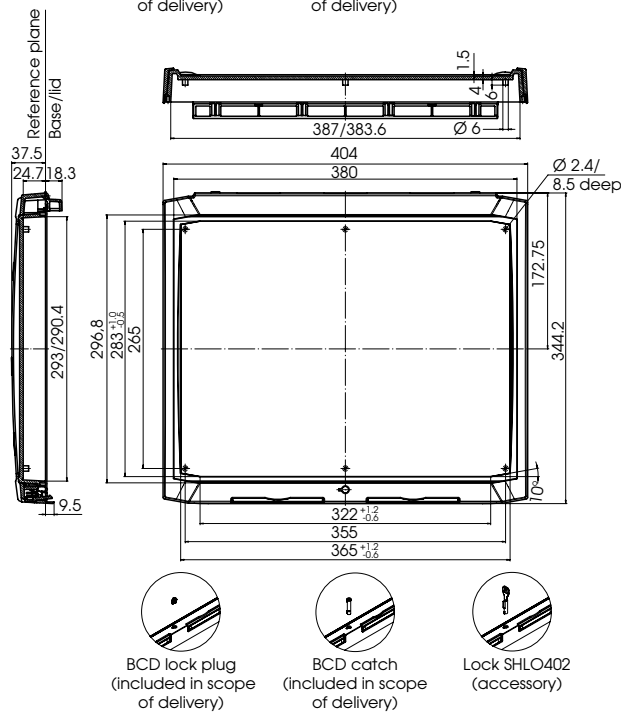
Accessories which permit interesting applications for BOCARD can be found on the internet at [www.bopla.de](http://www.bopla.de) or in the "the red book" general catalogue starting on page 312. By using the BOCARD wall mounting fastening angle, the enclosure can easily be fitted to a wall or alternatively used as a desktop enclosure. The article is designed for use with BOCARD sizes 160, 200 and 250.



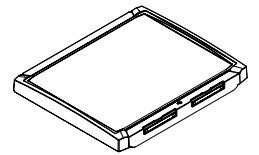
**BCD 400 OT-G...**



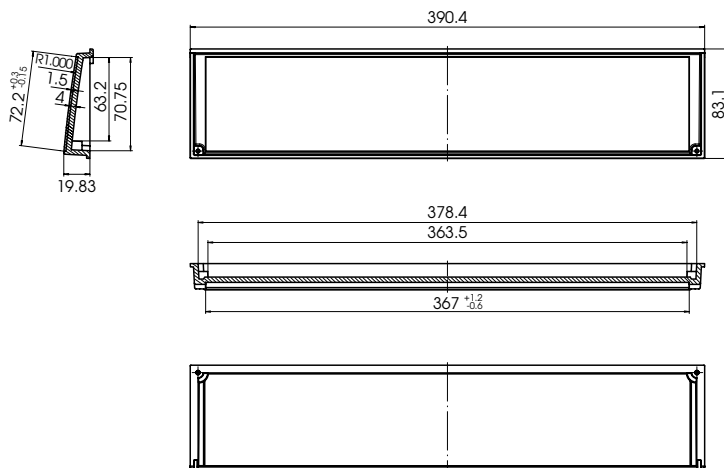
Z-2602799



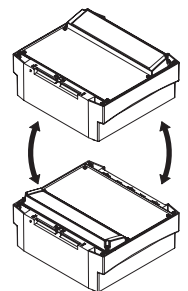
**BCD 400 OT-FSC...**



Z-2602800



**BCD 400 KRD...**



Z-2602801