



ROSE+BOPLA
ENCLOSURES

A PHOENIX MECANO COMPANY

CombiBac Enclosures Product Drawings Last Updated 6/13/2008

Rose+Bopla Enclosures
7330 Executive Way
Frederick, MD 21704
301-696-9800
www.rose-bopla.com
rbinfo@pm-usa.com

Dimensional Drawings

For Secondary Services, Product Support, or To Order, Call 1-301-696-9800



TECHNICAL DATA:

- Color: Front Lid, light gray, similar to RAL 7035. Special colors available on request, minimum quantities apply.
- Material: ABS front lid; base and flush-mounted frame, galvanized sheet steel, 0.8 mm.
- Ingress Protection: Front lid, up to IP 54, depending on the size and characteristics of the installation area.
- Surface Resistance: ABS, $>10^{14}$ Ohm to DIN 53482.
- Flammability: Lid, UL 94 HB/1.6.
- Disruptive Strength: 17KV/mm to DIN 53481.
- Note: Dimensions are external. Metric is the primary dimension. Inch conversions are for the user's convenience and are for reference only.

This flat ABS operating front was designed for use as a machine operating panel or control panel mounted enclosure. The wrap-around seal provides IP 54 protection in respect of the installa-

CombiBac

tion area. The front surface was lowered especially for the protected fitting of membrane keyboards or other front elements. The installed electronic components can be protected by means of a sheet metal hood mounted on the back. The design and construction of these special hoods makes low-cost processing possible, also for small series.

A special flush-mounted frame (CR) is available for flush mounted assembly. Good EMC screening is achieved by the later application of metal coating on the front lid. Select CombiBac bases can also be used with RCP/RCPM...F enclosures for control panel applications and EMC protection.

CombiBac 130 Series

Series 130 Front Lid					
Model Number	Part Number	Width (Inches/mm)	Height (Inches/mm)	Weight lbs.	Drawing Page #
CF 130	69130009	5.16 / 131	5.16 / 131	.214	17-192

CF 130 Front Lid: ABS, light gray. Up to IP 54, depending on size and characteristics of the installation area.

Including: Front lid, double lip seal, and screw covers



Series 130 Bases						
Model Number	Part Number	Width (Inches/mm)	Depth (Inches/mm)	Height (Inches/mm)	Weight lbs.	Drawing Page #
CB 1304	69130400	3.78 / 96	1.38 / 35	4.53 / 115	.507	17-192
CB 1307	69130700	3.78 / 96	2.56 / 65	4.53 / 115	.675	17-192
CB 1310	69131000	3.78 / 96	3.94 / 100	4.53 / 115	.889	17-192

Series 130 Bases: 8mm galvanized sheet steel. CB 1304 base can be fitted with the RCP/RCPM 130 F wall enclosure for control panel applications and EMC protection.

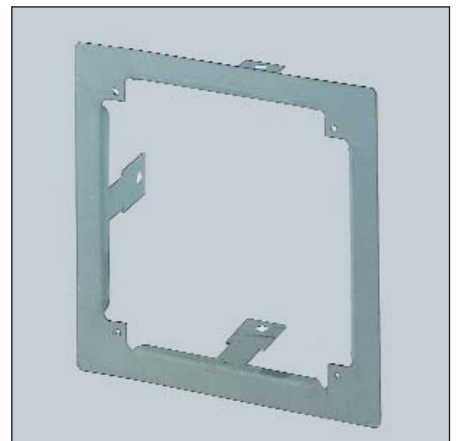
Including: Base and screws.



Series 130 Frame						
Model Number	Part Number	Width (Inches/mm)	Depth (Inches/mm)	Height (Inches/mm)	Weight lbs.	Drawing Page #
CR 130	69031050	5.94 / 151	1.77 / 45	5.94 / 151	.179	17-192

Series 130 Frames: 8mm galvanized sheet steel

Including: Flush-mounted frame, screws



Note: Dimensions are external. Metric is the primary dimension. Inch conversions are for the user's convenience and are for reference only.

CombiBac 160 Series



Series 160 Front Lid					
Model Number	Part Number	Width (Inches/mm)	Height (Inches/mm)	Weight lbs.	Drawing Page #
CF 160	69160009	6.53 / 166	4.17 / 106	.218	17-193

CF 160 Front Lid: ABS, light gray. Up to IP 54, depending on size and characteristics of the installation area.

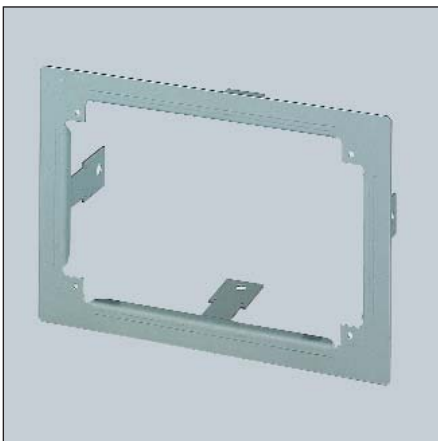
Including: Front lid, double lip seal, and screw covers



Series 160 Bases						
Model Number	Part Number	Width (Inches/mm)	Depth (Inches/mm)	Height (Inches/mm)	Weight lbs.	Drawing Page #
CB 1604	69160400	5.16 / 131	1.38 / 35	3.54 / 90	.494	17-193
CB 1607	69160700	5.16 / 131	2.56 / 65	3.54 / 90	.701	17-193
CB 1610	69161000	5.16 / 131	3.94 / 100	3.54 / 90	.935	17-193

Series 160 Bases: 8mm galvanized sheet steel. For other control panel applications and EMC protection, use CB 1604 with RCP/RCPM 160F or RCP/RCPM 170F wall enclosures. Use CB 1610 with RCP/RCPM 170F.

Including: Base and screws.



Series 160 Frame						
Model Number	Part Number	Width (Inches/mm)	Depth (Inches/mm)	Height (Inches/mm)	Weight lbs.	Drawing Page #
CR 160	69016050	7.32 / 186	1.77 / 45	4.96 / 126	.221	17-193

Series 160 Frames: 8mm galvanized sheet steel

Including: Flush-mounted frame, screws

Note: Dimensions are external. Metric is the primary dimension. Inch conversions are for the user's convenience and are for reference only.

CombiBac 200 Series

Series 200 Front Lid					
Model Number	Part Number	Width (Inches/mm)	Height (Inches/mm)	Weight lbs.	Drawing Page #
CF 200	69200009	8.38 / 213	4.92 / 125	.304	17-194

CF 200 Front Lid: ABS, light gray. Up to IP 54, depending on size and characteristics of the installation area.

Including: Front lid, double lip seal, and screw covers



Series 200 Bases						
Model Number	Part Number	Width (Inches/mm)	Depth (Inches/mm)	Height (Inches/mm)	Weight lbs.	Drawing Page #
CB 2004	69200400	7.05 / 179	1.38 / 35	4.29 / 109	.668	17-194
CB 2007	69200700	7.05 / 179	2.56 / 65	4.29 / 109	.939	17-194
CB 2010	69201000	7.05 / 179	3.94 / 100	4.29 / 109	1.274	17-194

Series 200 Bases: 8mm galvanized sheet steel. CB 2004 base can be fitted with the RCP/RCPM 200 F wall enclosure for control panel applications and EMC protection.

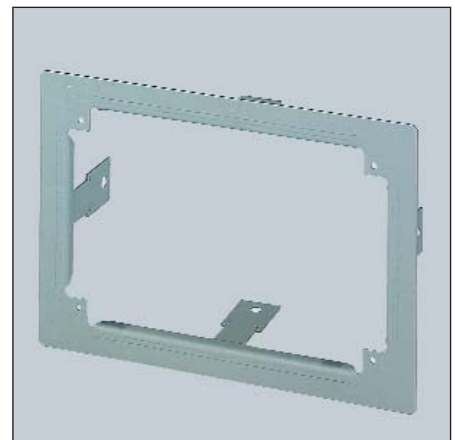
Including: Base and screws.



Series 200 Frame						
Model Number	Part Number	Width (Inches/mm)	Depth (Inches/mm)	Height (Inches/mm)	Weight lbs.	Drawing Page #
CR 200	69020050	9.17 / 233	1.77 / 45	5.71 / 145	.260	17-194

Series 200 Frames: 8mm galvanized sheet steel

Including: Flush-mounted frame, screws



Note: Dimensions are external. Metric is the primary dimension. Inch conversions are for the user's convenience and are for reference only.

CombiBac 250 Series



Series 250 Front Lid					
Model Number	Part Number	Width (Inches/mm)	Height (Inches/mm)	Weight lbs.	Drawing Page #
CF 250	69250009	10.12 / 257	6.18 / 157	.423	17-195

CF 250 Front Lid: ABS, light gray. Up to IP 54, depending on size and characteristics of the installation area.

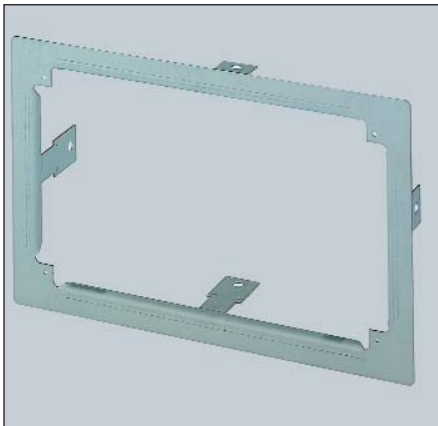
Including: Front lid, double lip seal, and screw covers



Series 250 Bases						
Model Number	Part Number	Width (Inches/mm)	Depth (Inches/mm)	Height (Inches/mm)	Weight lbs.	Drawing Page #
CB 2504	69250400	8.74 / 222	1.38 / 35	5.55 / 141	.977	17-195
CB 2507	69250700	8.74 / 222	2.56 / 65	5.55 / 141	1.305	17-195
CB 2510	69251000	8.74 / 222	3.94 / 100	5.55 / 141	1.693	17-195

Series 250 Bases: 8mm galvanized sheet steel. CB 2504 and CB 2507 bases can be fitted with the RCP/RCPM 250 F wall enclosure for control panel applications and EMC protection.

Including: Base and screws.



Series 250 Frame						
Model Number	Part Number	Width (Inches/mm)	Depth (Inches/mm)	Height (Inches/mm)	Weight lbs.	Drawing Page #
CR 250	69025050	10.90 / 277	1.77 / 45	6.97 / 177	.598	17-195

Series 250 Frames: 8mm galvanized sheet steel

Including: Flush-mounted frame, screws

Note: Dimensions are external. Metric is the primary dimension. Inch conversions are for the user's convenience and are for reference only.

CombiBac 310 Series

Series 310 Front Lid					
Model Number	Part Number	Width (Inches/mm)	Height (Inches/mm)	Weight lbs.	Drawing Page #
CF 310	69310009	11.65 / 296	7.72 / 196	.589	17-196

CF 310 Front Lid: ABS, light gray. Up to IP 54, depending on size and characteristics of the installation area.

Including: Front lid, double lip seal, and screw covers



Series 310 Bases						
Model Number	Part Number	Width (Inches/mm)	Depth (Inches/mm)	Height (Inches/mm)	Weight lbs.	Drawing Page #
CB 3104	69310400	10.28 / 261	1.38 / 35	7.09 / 180	1.294	17-196
CB 3107	69310700	10.28 / 261	2.56 / 65	7.09 / 180	1.707	17-196
CB 3110	69311000	10.28 / 261	3.94 / 100	7.09 / 180	2.324	17-196

Series 310 Bases: 8mm galvanized sheet steel. For other control panel applications and EMC protection, use CB 3104 and CB 3107 with RCP/RCPM 310 F and RCP/RCPM 350 F wall enclosures.

Use CB 3110 base with RCP/RCPM 350 F.

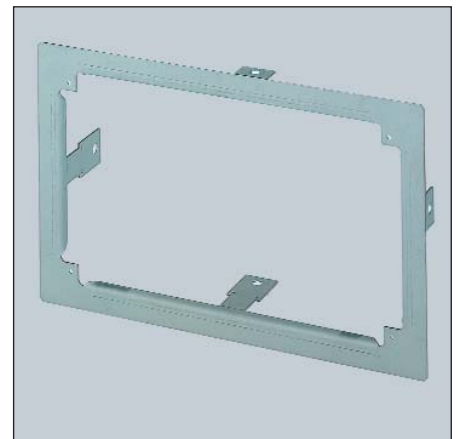
Including: Base and screws.



Series 310 Frame						
Model Number	Part Number	Width (Inches/mm)	Depth (Inches/mm)	Height (Inches/mm)	Weight lbs.	Drawing Page #
CR 310	69031050	12.44 / 316	1.77 / 45	8.50 / 216	.295	17-196

Series 310 Frames: 8mm galvanized sheet steel

Including: Flush-mounted frame, screws



Note: Dimensions are external. Metric is the primary dimension. Inch conversions are for the user's convenience and are for reference only.

CombiBac 400 Series



Series 400 Front Lid					
Model Number	Part Number	Width (Inches/mm)	Height (Inches/mm)	Weight lbs.	Drawing Page #
CF 400	69400009	14.33 / 364	9.21 / 234	.917	17-197

CF 400 Front Lid: ABS, light gray. Up to IP 54, depending on size and characteristics of the installation area.

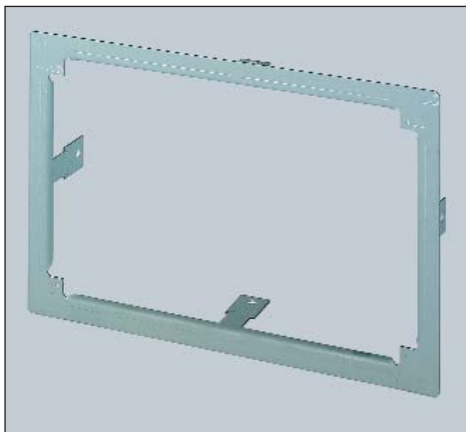
Including: Front lid, double lip seal, and screw covers



Series 400 Bases						
Model Number	Part Number	Width (Inches/mm)	Depth (Inches/mm)	Height (Inches/mm)	Weight lbs.	Drawing Page #
CB 4004	69400400	12.68 / 322	1.38 / 35	8.46 / 215	2.024	17-197
CB 4007	69400700	12.68 / 322	2.56 / 65	8.46 / 215	2.514	17-197
CB 4010	69401000	12.68 / 322	3.94 / 100	8.46 / 215	2.437	17-197

Series 400 Bases: 8mm galvanized sheet steel. Series 400 CB bases can be fitted with the RCP/RCPM 400 F wall enclosure for control panel applications and EMC protection.

Including: Base and screws.



Series 400 Frame						
Model Number	Part Number	Width (Inches/mm)	Depth (Inches/mm)	Height (Inches/mm)	Weight lbs.	Drawing Page #
CR 400	69040050	15.12 / 384	1.77 / 45	10.00 / 254	.364	17-197

Series 400 Frames: 8mm galvanized sheet steel

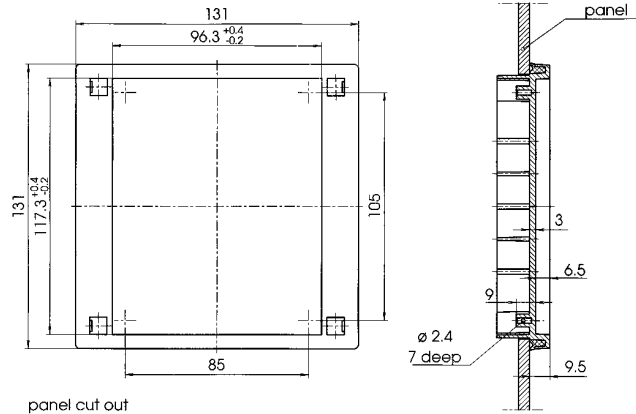
Including: Flush-mounted frame, screws

Note: Dimensions are external. Metric is the primary dimension. Inch conversions are for the user's convenience and are for reference only.

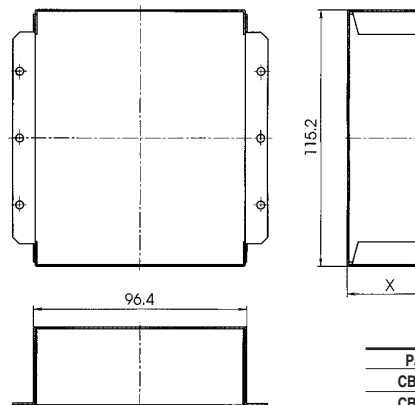
Standard Features

- **CF 130/69130009** ABS front lid, double lip seal, screw covers.
- **CB 1304/69130400** Galvanized sheet steel base, 0.8 mm thick. Includes base and screws. Can be fitted in RCP/RCPM wall enclosure, RCP/RCPM 130 F.
- **CB 1307/69130700** Galvanized sheet steel base, 0.8 mm thick. Includes base and screws.
- **CB 1310/69131000** Galvanized sheet steel base, 0.8 mm thick. Includes base and screws.
- **CR 130/69013050** Galvanized sheet steel, flush mounted frame, 0.8 mm thick. Includes frame and screws.

**Front Lid
CF 130**

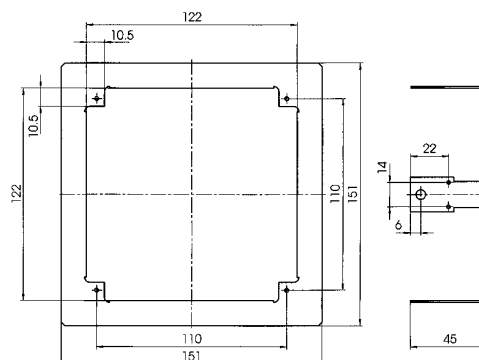


**Bases
CB 1304
CB 1307
CB 1310**



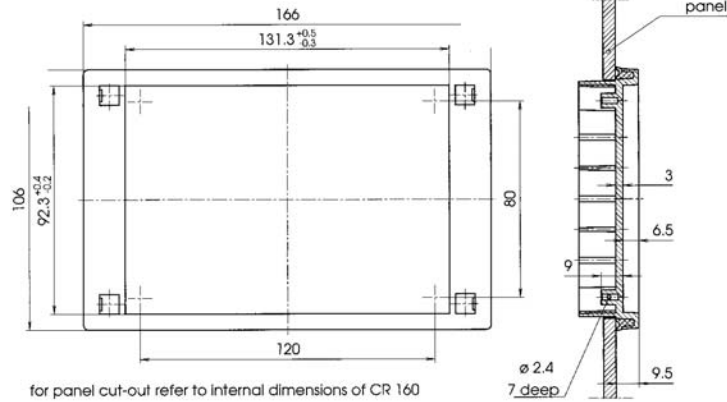
Part #	Depth X
CB 1304	35
CB 1307	65
CB 1310	100

**Flush mounted frame
CR 130**

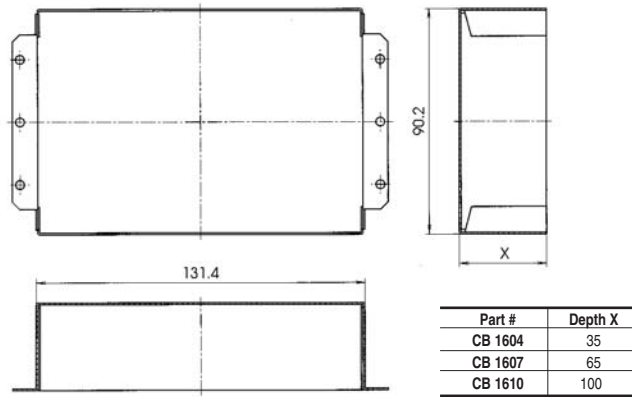


- Standard Features**
- **CF 160/69160009** ABS front lid, double lip seal, screw covers.
 - **CB 1604/69160400** Galvanized sheet steel base, 0.8 mm thick. Includes base and screws. Can be fitted in RCP/RCPM wall enclosure, RCP/RCPM 160 F and RCP/RCPM 170 F.
 - **CB 1607/69160700** Galvanized sheet steel base, 0.8 mm thick. Includes base and screws. Can be fitted in RCP/RCPM wall enclosure, RCP/RCPM 170 F.
 - **CB 1610/69161000** Galvanized sheet steel base, 0.8 mm thick. Includes base and screws.
 - **CR 160/69016050** Galvanized sheet steel, flush mounted frame, 0.8 mm thick. Includes frame and screws.

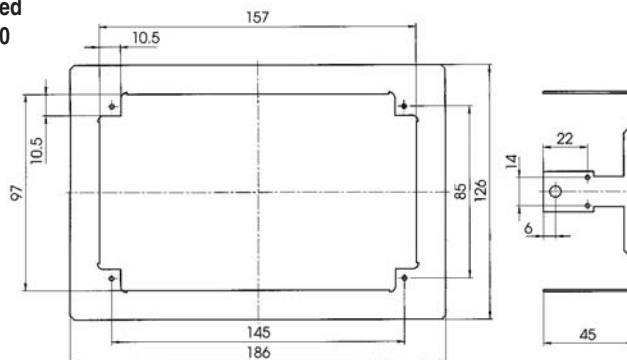
**Front Lid
CF 160**



**Base
CB 1604
CB 1607
CB 1610**



**Flush mounted
Frame CR 160**

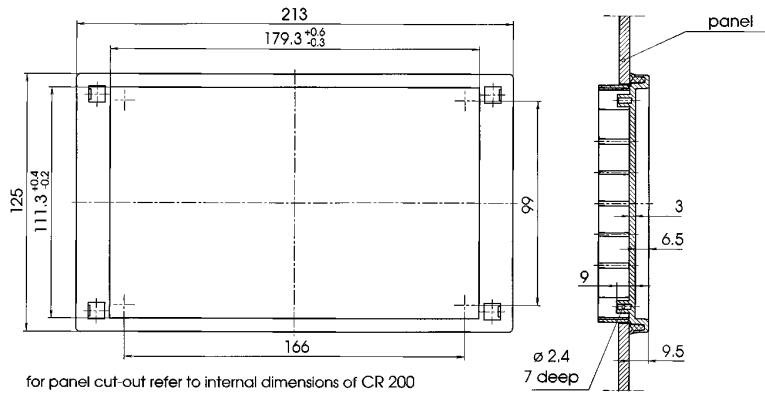


Dimensional Drawings

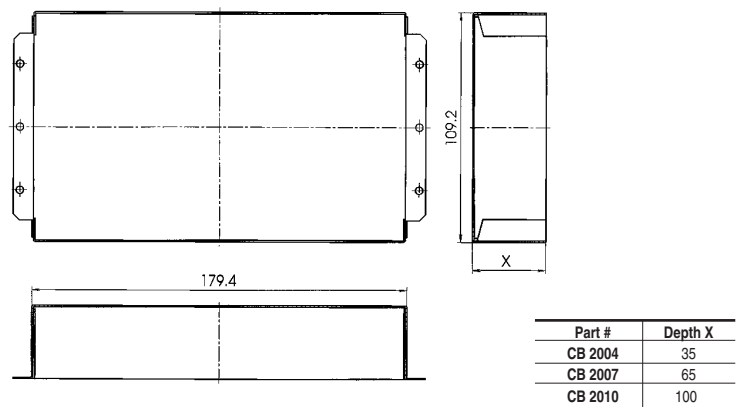
Standard Features

- **CF 200/69200009** ABS front lid, double lip seal, screw covers.
- **CB 2004/69200400** Galvanized sheet steel base, 0.8 mm thick. Includes base and screws. Can be fitted in RCP/RCPM wall enclosure, RCP/RCPM 200 F.
- **CB 2007/69200700** Galvanized sheet steel base, 0.8 mm thick. Includes base and screws.
- **CB 2010/69201000** Galvanized sheet steel base, 0.8 mm thick. Includes base and screws.
- **CR 200/690200500** Galvanized sheet steel, flush mounted frame, 0.8 mm thick. Includes frame and screws.

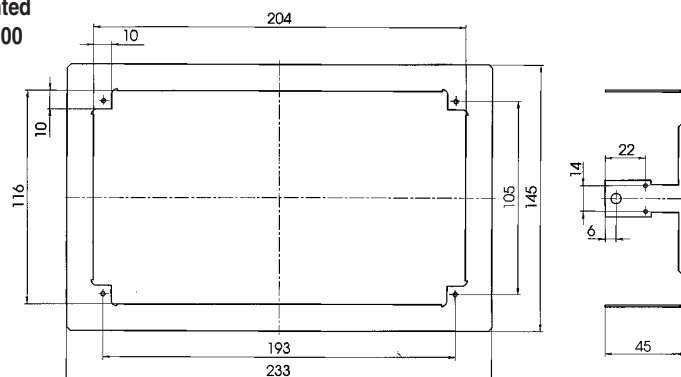
Front Lid
CF 200



Base
CB 2004
CB 2007
CB 2010



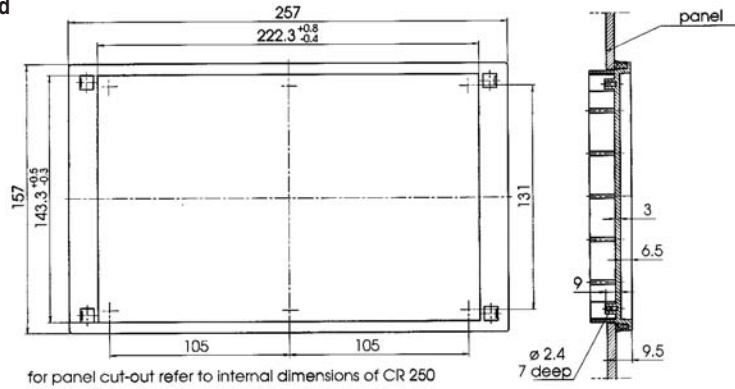
Flush Mounted
Frame CR 200



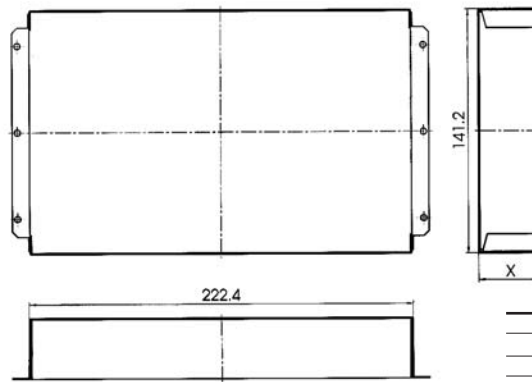
Standard Features

- **CF 250/69250009** ABS front lid, double lip seal, screw covers.
- **CB 2504/69250400** Galvanized sheet steel base, 0.8 mm thick. Includes base and screws. Can be fitted in RCP/RCPM wall enclosure, RCP/RCPM 250 F.
- **CB 2507/69250700** Galvanized sheet steel base, 0.8 mm thick. Includes base and screws. Can be fitted in RCP/RCPM wall enclosure, RCP/RCPM 250 F.
- **CB 2510/69251000** Galvanized sheet steel base, 0.8 mm thick. Includes base and screws.
- **CR 250/69025050** Galvanized sheet steel, flush mounted frame, 0.8 mm thick. Includes frame and screws.

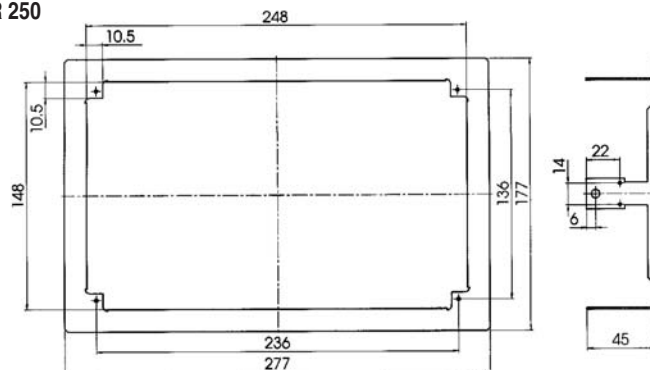
**Front Lid
CF 250**



**Base
CB 2504
CB 2507
CB 2510**



**Flush Mounted
Frame CR 250**

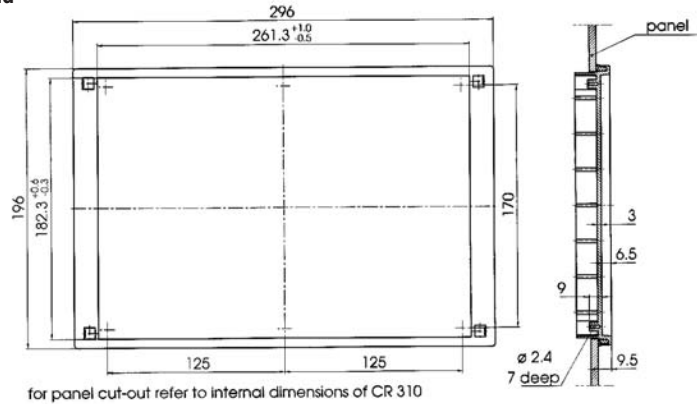


Dimensional Drawings

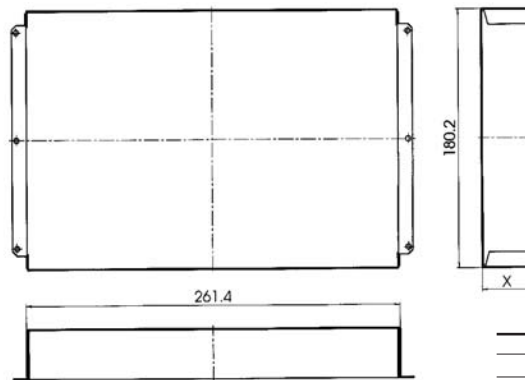
Standard Features

- **CF 310/69310009** ABS front lid, double lip seal, screw covers.
- **CB 3104/69310400** Galvanized sheet steel base, 0.8 mm thick. Includes base and screws. Can be fitted in RCP/RCPM wall enclosure, RCP/RCPM 310 F and RCP/RCPM 350 F.
- **CB 3107/69310700** Galvanized sheet steel base, 0.8 mm thick. Includes base and screws. Can be fitted in RCP/RCPM wall enclosure, RCP/RCPM 310 F and RCP/RCPM 350 F.
- **CB 3110/69311000** Galvanized sheet steel base, 0.8 mm thick. Includes base and screws. Can be fitted in RCP/RCPM wall enclosure, RCP/RCPM 350 F.
- **CR 310/69031050** Galvanized sheet steel, flush mounted frame, 0.8 mm thick. Includes frame and screws.

**Front Lid
CF 310**

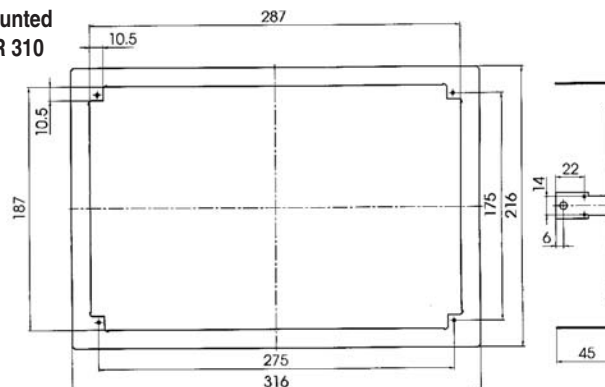


**Base
CB 3104
CB 3107
CB 3110**



Part #	Depth X
CB 3104	35
CB 3107	65
CB 3110	100

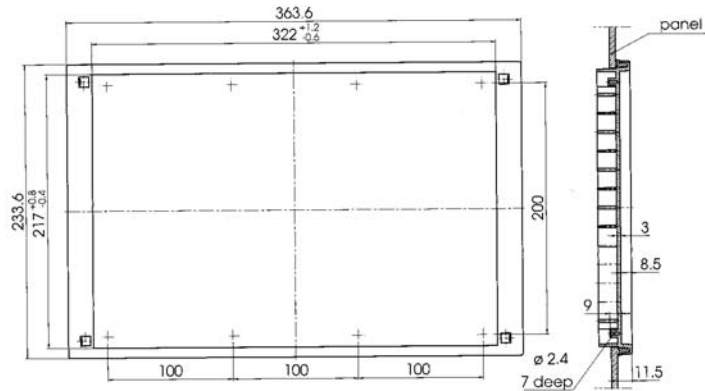
**Flush Mounted
Frame CR 310**



Standard Features

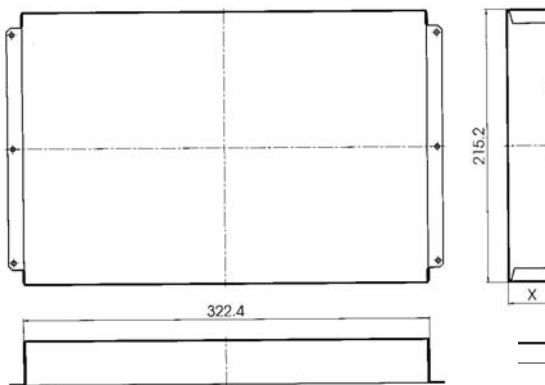
- **CF 400/69400009** ABS front lid, double lip seal, screw covers.
- **CB 4004/69400400** Galvanized sheet steel base, 0.8 mm thick. Includes base and screws. Can be fitted in RCP/RCPM wall enclosure, RCP/RCPM 400 F.
- **CB 4007/69400700** Galvanized sheet steel base, 0.8 mm thick. Includes base and screws. Can be fitted in RCP/RCPM wall enclosure, RCP/RCPM 400 F.
- **CB 4010/69401000** Galvanized sheet steel base, 0.8 mm thick. Includes base and screws. Can be fitted in RCP/RCPM wall enclosure, RCP/RCPM 400 F.
- **CR 400/69040050** Galvanized sheet steel, flush mounted frame, 0.8 mm thick. Includes frame and screws.

**Base
CF 400**



for panel cut-out refer to internal dimensions of CR 400

**Base
CB 4004
CB 4007
CB 4010**



Part #	Depth X
CB 4004	35
CB 4007	65
CB 4010	100

**Flush Mounted
Frame CR 400**

