

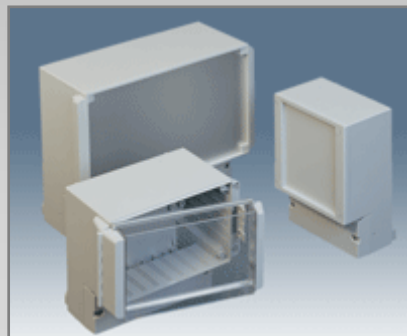


**ROSE+BOPLA**

A Phoenix Mecano Company

# RCP/RCPM 400/4000 Control Housings

Modular Enclosure System



For Finishing Services, Product Support, or to Order

Call 1-301-696-9800

# RegloCard-Plus



The wide range of items in this wall enclosure system for use in measurement and control applications is available in 8 basic sizes, each with 6 different designs.

To permit the insertion of mounting plates and PCBs, all designs have vertical and horizontal grooves which ensure optimal unit assembly.

The terminal compartment can be separated from the actual electronics area by means of integrated grooves with separating plates.

In addition, extra protection is possible by using lead seals in the standard through holes.

As required, the enclosures can be mounted on the wall (with the terminal compartment upwards or downwards) by means of the integrated three-point wall fitting. Depending on the design, the enclosures are fitted with Pg rated break points (model RCP...*(F)*) or metric rated break points (model RCPM...*(F)*). For minimum order quantities of 500+, the front of the terminal compartment can also be supplied without pre-punchings.



**Enclosure material:** ABS, crystal-clear polycarbonate lid.  
For technical data see pages 646-651.  
For V0 variant see note.

**Colour:** Light grey, similar to RAL 7035.

**Ingress protection:** Up to IP 65 / DIN EN 60529

**Accessories (additional charge):**

RCP/RCPM-FAE: Front panel, anodised  
RCP/RCPM-M: Mounting plate  
RCP/RCPM-WL: Wall brackets  
SHLO-302: Cylinder catch  
RCP/RCPM-HK: Hand knob

**Note:**

All models are available on request in UL 94 V0, enclosure material in Lexan 500 R, clear lid in Lexan 940 A. CSA no. LR 102362-2.  
Only the RCP/RCPM...00 V0 types are included in the tables of models; all other models are also available on request.

Additional special materials and colours are available on request.

Enclosures Model	Dimensions		
	H	W	D
RCP 130(F)-1300	186.0	131.0	81.0- 103.0
RCPM 130(F)-1300	186.0	131.0	81.0- 103.0
RCP 160(F)-1600	161.0	166.0	71.0- 93.0
RCPM 160(F)-1600	161.0	166.0	71.0- 93.0
RCP 170(F)-1700	161.0	166.0	99.0- 121.0
RCPM 170(F)-1700	161.0	166.0	99.0- 121.0
RCP 200(F)-2000	185.0	213.0	82.5- 104.5
RCPM 200(F)-2000	185.0	213.0	82.5- 104.5
RCP 250(F)-2500	217.0	257.0	110.5- 132.5
RCPM 250(F)-2500	217.0	257.0	110.5- 132.5
RCP 310(F)-3100	261.0	296.0	110.5- 132.5
RCPM 310(F)-3100	261.0	296.0	110.5- 132.5
RCP 350(F)-3500	281.0	296.0	136.0- 158.0
RCPM 350(F)-3500	281.0	296.0	136.0- 158.0
RCP 400(F)-4000	318.6	363.4	128.5- 150.0
RCPM 400(F)-4000	318.6	363.4	128.5- 150.0

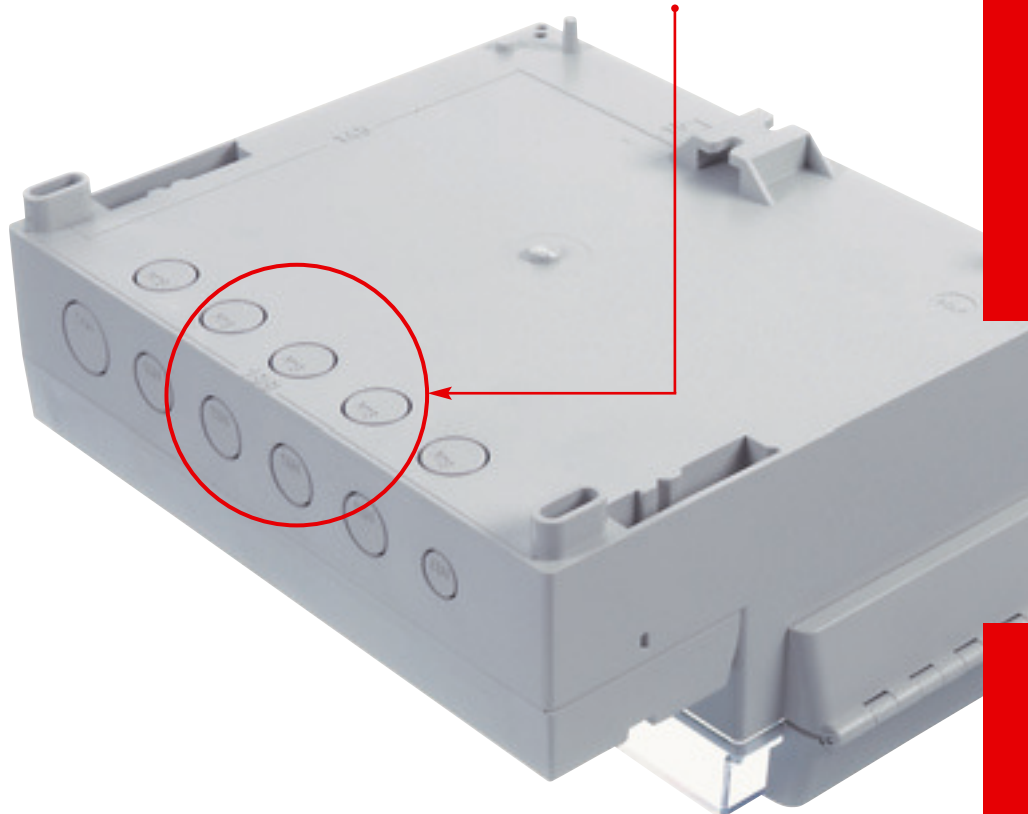
As the positions of the pre-punchings remain the same, there are no problems converting cable glands from Pg to metric.

**Note**

RCPM...(F) enclosure with pre-punchings for metric screwing systems.

**Note:**

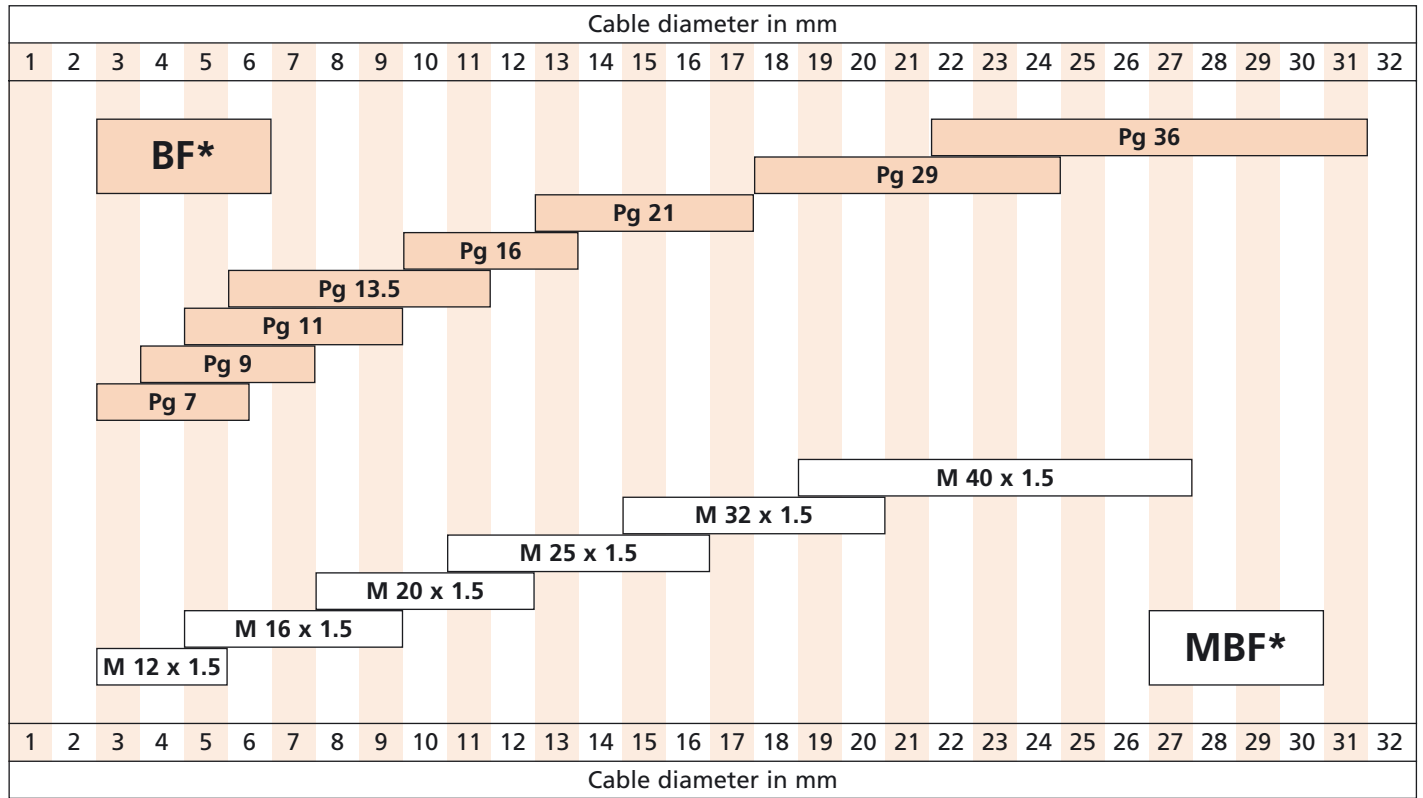
We recommend drilling open the pre-punchings in order to prevent damage to the enclosure base.





# RegloCard-Plus

## A comparison of sealed areas BF/MBF (Pg/metric)



\* BF: Pg cable gland  
 MBF: metric cable gland

**Note**

For cable glands,  
 please see "Accessories"  
 starting on page 614.



**The advantages of the 1000 version:**

- sturdy hinge technology
- snap lock, can be lead-sealed without special parts
- IP 65 with clear lid (PC)
- front panel thickness up to 3 mm
- hinged side easily reversed by turning the lid including hinge and snap lock
- hinge opens as far as wall stop
- a blind plug and catch (VDE approved) are included

**The advantages of the 100 version:**

- front panel thickness up to 3 mm
- IP 40 ingress protection
- if a membrane keypad is glued on, it is protected on all the outer edges against damage by the covering frame
- front panel screws integrated in the covering frame design
- covering frame sealable by drilling through the lead seal inlets
- enclosure can be retro-fitted with a clear lid

**The advantages of the F-version:**

- no separate front panel required
- full-protection insulated
- attachable
- IP 65 ingress protection up to type 250 F
- IP 54 ingress protection for type 310 F and higher
- mounting bosses on the inside of the lid, including for sheet metal inner enclosure CB... (see page 343) e.g. to increase level of EMC protection

**Enclosures**

with hinged lid and latch

Model	Order no.
RCP 1300	41130109
RCPM 1300	41131109
RCP 1600	41160109
RCPM 1600	41161109
RCP 1700	41170109
RCPM 1700	41171109
RCP 2000	41200309
RCPM 2000	41201309
RCP 2500	41250109
RCPM 2500	41251109
RCP 3100	41310109
RCPM 3100	41311109
RCP 3500	41350109
RCPM 3500	41351109
RCP 4000	41400109
RCPM 4000	41401109

**Scope of delivery:**

Enclosure base, hinged, clear lid, mounted with latch, terminal compartment cover, screws, blind plug, catch

**Enclosures**

with covering frame

Model	Order no.
RCP 130	41130009
RCPM 130	41131009
RCP 160	41160009
RCPM 160	41161009
RCP 170	41170009
RCPM 170	41171009
RCP 200	41200009
RCPM 200	41201009
RCP 250	41250009
RCPM 250	41251009
RCP 310	41310009
RCPM 310	41311009
RCP 350	41350009
RCPM 350	41351009
RCP 400	41400009
RCPM 400	41401009

**Scope of delivery:**

Enclosure base, covering frame, terminal compartment cover, screws

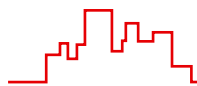
**Enclosures**

with membrane front

Model	Order no.
RCP 130 F	41130609
RCPM 130 F	41131609
RCP 160 F	41160609
RCPM 160 F	41161609
RCP 170 F	41170609
RCPM 170 F	41171609
RCP 200 F	41200609
RCPM 200 F	41201609
RCP 250 F	41250609
RCPM 250 F	41251609
RCP 310 F	41310609
RCPM 310 F	41311609
RCP 350 F	41350609
RCPM 350 F	41351609
RCP 400 F	41400609
RCPM 400 F	41401609

**Scope of delivery:**

Enclosure base, recessed front lid, terminal compartment cover, screws, screw covers



# RegloCard-Plus



Model RCP/RCPM 4000



Model RCP/RCPM 400



Model RCP/RCPM 400 F

## Model RCP/RCPM 4000

### Order designation

Model	Order no.	Design	Protection	Pre-punchings*
RCP 4000	41400109	with hinged lid and latch	IP 65	1 pc. Pg 11 6 pcs Pg 13.5 1 pc. Pg 16
RCP 4000 V0	41400400	as RCP 4000, but in UL 94 V0 available on request		
RCPM 4000	41401109	with hinged lid and latch	IP 65	1 pc. M 16 6 pcs M 20 1 pc. M 25
RCPM 4000 V0	41401400	as RCPM 4000, but in UL 94 V0 available on request		

### Accessories

	Order no.
Aluminium front panels 1.5 mm	27120000
Laminated paper mounting plate 2 mm	41000800
Wall brackets RCP/RCPM-WL	41000300
Cylinder catch SHLO-302	21008310
Hand knob RCP/RCPM-HK	41002501

## Model RCP/RCPM 400

### Order designation

Model	Order no.	Design	Protection	Pre-punchings*
RCP 400	41400009	with covering frame	IP 40	1 pc. Pg 11 6 pcs Pg 13.5 1 pc. Pg 16
RCPM 400	41401009	with covering frame	IP 40	1 pc. M 16 6 pcs M 20 1 pc. M 25

### Accessories

	Order no.
Aluminium front panels 1.5 mm	27120000
Laminated paper mounting plate 2 mm	41000800
Wall brackets RCP/RCPM-WL	41000300

## Model RCP/RCPM 400 F

### Order designation

Model	Order no.	Design	Protection	Pre-punchings*
RCP 400 F	41400609	with membrane front	IP 54	1 pc. Pg 11 6 pcs Pg 13.5 1 pc. Pg 16
RCPM 400 F	41401609	with membrane front	IP 54	1 pc. M 16 6 pcs M 20 1 pc. M 25

### Accessories

	Order no.
Laminated paper mounting plate 2 mm	41000800
Wall brackets RCP/RCPM-WL	41000300
CombiBac CB 4004 (see page 349)	69400400
CombiBac CB 4007 (see page 349)	69400700
CombiBac CB 4010 (see page 349)	69401000

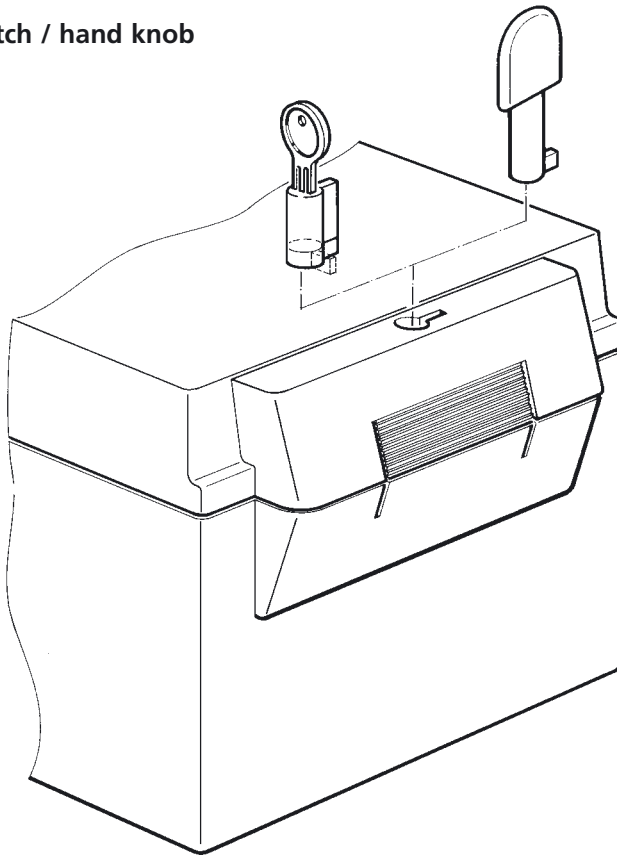
\* Pre-punchings in terminal compartment wall. Tool inserts for smooth designs are available on request.





# RegloCard-Plus accessories

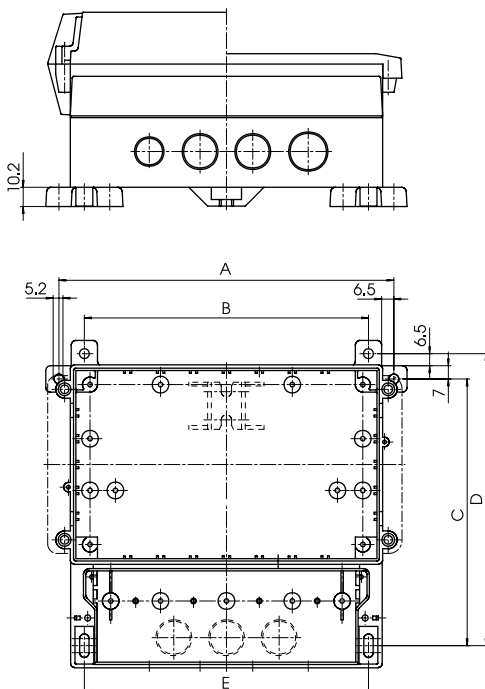
## Cylinder catch / hand knob



Model	Description	Order no.
SHLO-302	Cylinder catch	21008310
RCP/RCPM-HK	Hand knob	41002501

The cylinder catch or hand knob can be fitted later in the mounting opening of the snap lock. If a blind plug or cylinder catch are fitted, they can easily be released from the rear and pressed out.

## Wall brackets



Model	Description	Order no.
RCP/RCPM-WL	Wall brackets (PU = 2 pcs)	41000300

For 4-point wall fixing. Mounting on rear of enclosure from outside. Matches all RCP/RCPM enclosures.

**Material:** PS

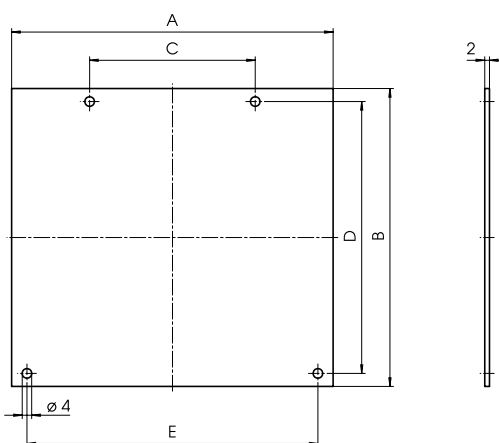
**Colour:** Light grey, similar to RAL 7035

Table of dimensions

Model	A	B	C	D	E
RCP/RCPM 130(F)/1300	143.0	116.0	167.0	180.5	116
RCP/RCPM 160(F)/1600	178.0	151.0	142.0	155.5	151
RCP/RCPM 170(F)/1700	178.0	151.0	142.0	155.5	151
RCP/RCPM 200(F)/2000	225.0	198.0	165.0	178.5	198
RCP/RCPM 250(F)/2500	269.0	242.0	197.0	210.5	242
RCP/RCPM 310(F)/3100	308.0	281.0	240.0	252.5	281
RCP/RCPM 350(F)/3500	308.0	281.0	260.0	272.5	281
RCP/RCPM 400(F)/4000	375.5	348.5	294.5	308.0	345

Model	Order no.
RCP/RCPM 130 M	41000350
RCP/RCPM 160/170 M	41000400
RCP/RCPM 200 M	41000500
RCP/RCPM 250 M	41000600
RCP/RCPM 310 M/350 M	41000700
RCP/RCPM 400 M	41000800

These laminated paper mounting plates are fitted with drill holes for fixing in the enclosure and terminal compartment.



## Mounting plates

### Table of dimensions

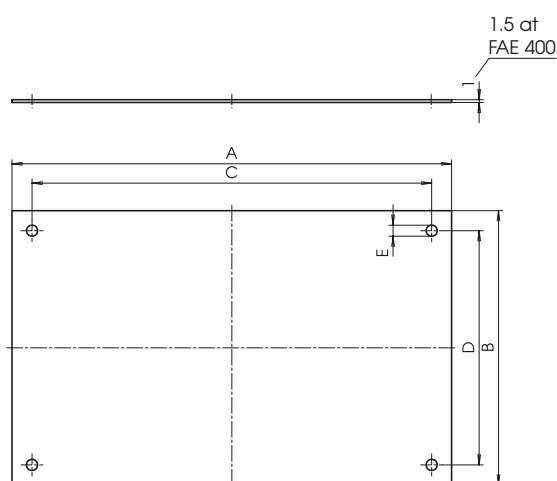
Model	A	B	C	D	E
RCP/RCPM 130 M	101	151.0	40.0	140.0	88
RCP/RCPM 160/170 M	136	126.0	70.0	115.0	123
RCP/RCPM 200 M	186	144.5	123.0	134.5	170
RCP/RCPM 250 M	227	177.0	131.0	166.0	214
RCP/RCPM 310/350 M	266	216.0	175.5	205.0	253
RCP/RCPM 400 M	326	261.0	140.0	250.0	313

Z-2600831

Model	Order no.
FAE 130	27000100
FAE 160/170	27000300
FAE 200	27000500
FAE 250	27000700
FAE 310/350	27000900
FAE 400	27120000

The aluminium front panels are anodised, 1 mm or 1.5 mm thick.

**Note:** When used with RCP/RCPM enclosures, front panels up to 3 mm thick can be installed!



## Front panels

### Table of dimensions

Model	A	B	C	D	E
FAE 130	124.5	124.5	110	110	4.2
FAE 160/170	159.5	99.5	145	85	4.2
FAE 200	206.5	118.5	193	105	4.2
FAE 250	250.5	150.5	236	136	4.2
FAE 310/350	288.4	188.8	275	175	4.2
FAE 400	354.5	224.5	336	206	4.2

Z-2600847