

4925 Support Systems Product Drawings Last Updated 4/28/2008

Rose+Bopla Enclosures
7330 Executive Way
Frederick, MD 21704
301-696-9800
www.rose-bopla.com
rbinfo@pm-usa.com

Dimensional Drawings



TECHNICAL DATA:

- Color: Agate gray, similar to RAL 7038
- Finish–Powdercoat
- Material:
Carrier arm and flange–Al Mg Si 12
Equipment table profile–Al Mg Si 0.5
Wall/enclosure flange–Al Si 12
Table/foot flange–Al Si 12
- Load: 10 kg (22.05 lbs.) maximum with one support arm
- Special Feature: Light duty

4925 Support System Components		
Part #	Description	Drwg Pg. #
49250100 00	Wall Enclosure Flange	17-257
49250200 00	Table / Foot Flange	17-255
49250300 00	Carrier Arm	17-256
49250400 00	Screw Clamp Knob for Joints	17-256
49250500 00	Equipment Table (with mounting accessories)	17-257

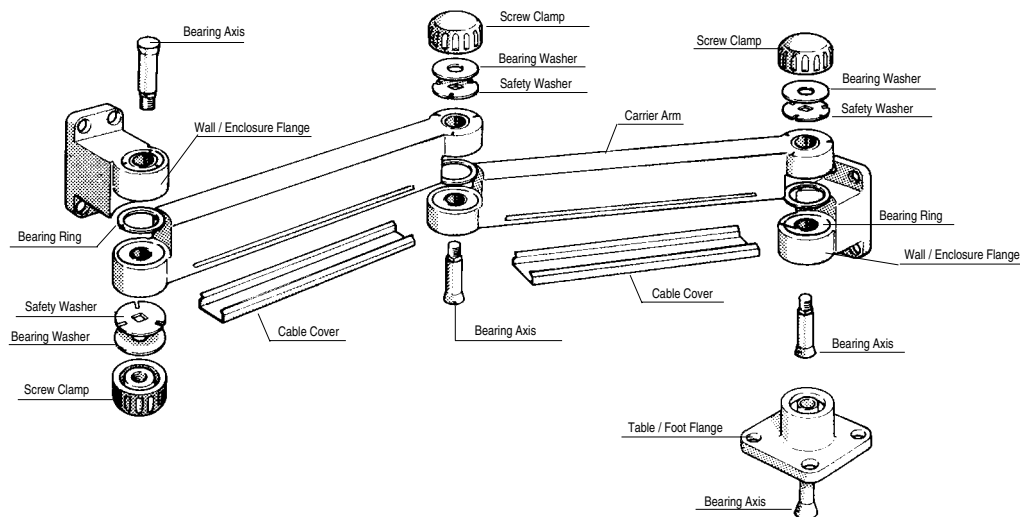
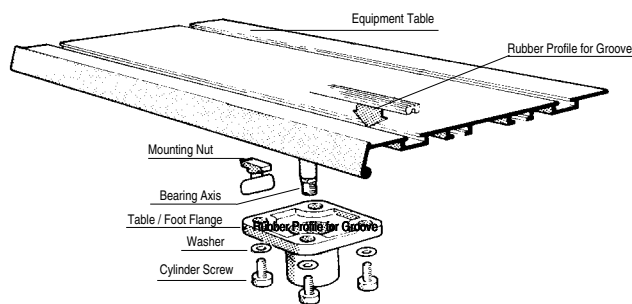
The 4925 support system is a lightweight carrier arm unit designed for single enclosures like the Profitronic or a sloped housing. The modular design of the 4925 makes it ideal for

The 4925 Support System

multiple function applications: using the table/foot flange to function as a table stand or as a swivel version; or use the wall/enclosure flange to create a swivel support arm. The 4925 can be set up with just one support arm or several arms.

Construction of the 4925 Support System includes the following components.

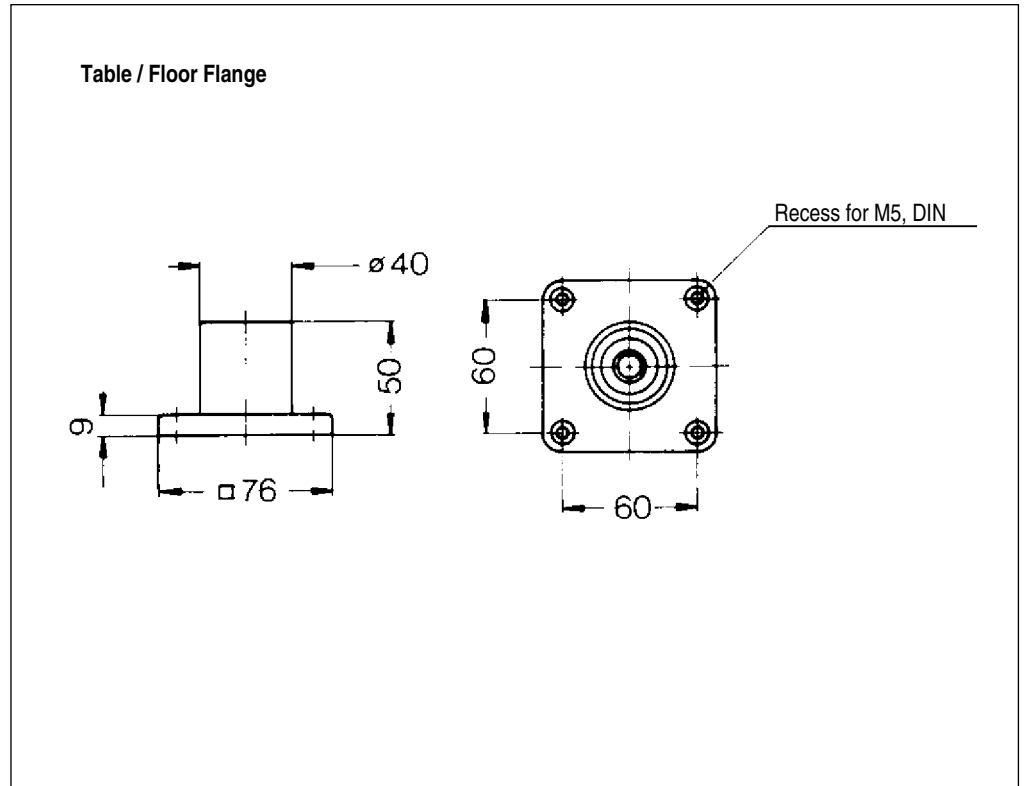
- Support Arm–made of cast aluminum, Al Si 12, with bush bearings and cable covers. When using several support arms, load capacity is reduced.
- Wall/Enclosure Flange–cast aluminum, Al Si 12, with bush bearings.
- Table/Foot Flange–cast aluminum, Al Si 12, with bush bearings.
- Equipment Table–Aluminum profile, Al Mg Si 0.5, with mounting grooves for attaching nuts, and integrated rubber profile for mounting grooves to prevent sliding.
- Attachment–The support arm is attached to the fastening flange using a hardened bearing (screw clamp in cast aluminum) and knob.



49250200 00

Page 9-2

Standard Features
<ul style="list-style-type: none"> • 49250200 00 Table / Floor Flange, cast aluminum, Al Si 12, with bush bearings.
Accessories
<ul style="list-style-type: none"> • 10033002 00 Mounting Nuts (pack of 10).



Dimensional Drawings

Support Systems

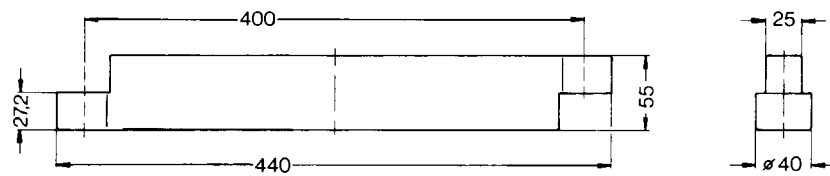
49250300 00

Page 9-2

Standard Features

- 49250300 00 Carrier Arm, cast aluminum, Al Si 12, with bush bearings and cable covers.

Carrier Arm



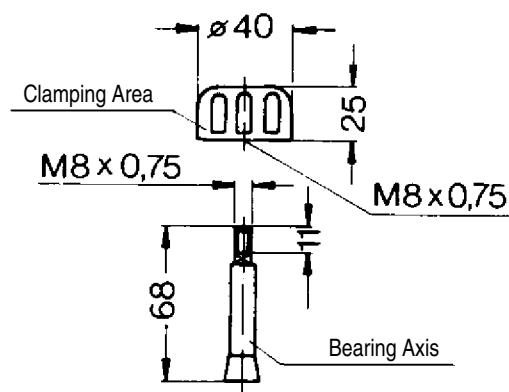
49250400 00

Page 9-2

Standard Features

- 49250400 00 Screw Clamp Knob (with screw and washer) for joints, cast aluminum, Al Si 12, with washer.

Screw Clamp Knob

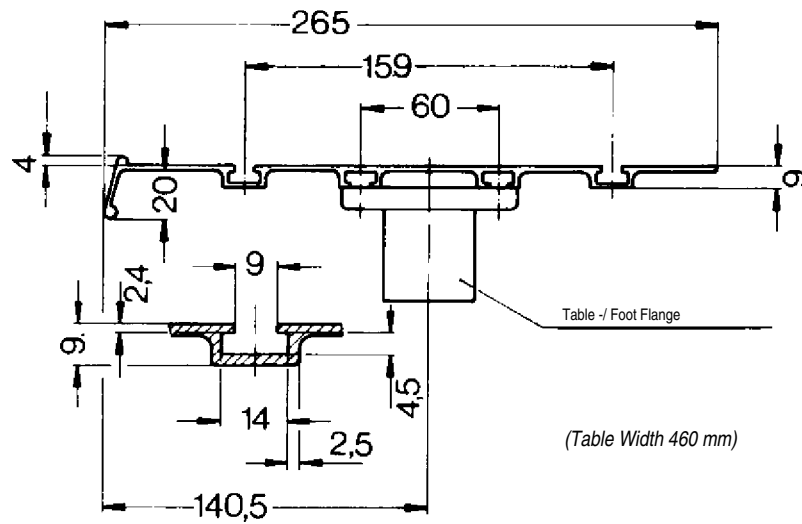




Standard Features

- 49250500 00 Equipment Table (with mounting accessories), extruded aluminum, Al Mg Si 0.5, with grooves for mounting nuts.

Equipment Table



Standard Features

- 49250100 00 Wall Enclosure Flange, cast aluminum, Al Si 12, with bush bearings.

Accessories

- 10033002 00 Mounting Nuts (pack of 10).

Wall Enclosure Flange

