



ROSE+BOPLA
ENCLOSURES

A PHOENIX MECANO COMPANY

Fiberglass Watertight Mini Cabinet Enclosures Product Drawings Last Updated 7/7/2008

Rose+Bopla Enclosures
7330 Executive Way
Frederick, MD 21704
301-696-9800
www.rose-bopla.com
rbinfo@pm-usa.com

For Secondary Services, Product Support, or To Order, Call 1-301-696-9800



Cabinet Enclosures



Rose+Bopla's compression-molded Fiberglass Watertight Mini Cabinets are our most rugged hostile environment cabinets. These cabinets are molded from heat-pressed fiberglass matting.

Fiberglass Mini Cabinets

They offer exceptional strength, durability and feature a beige gray high gloss finish.

These mini cabinets are designed specifically for harsh manufacturing conditions and hostile environments and will outlast any steel or stainless steel cabinet in a corrosive setting. They are used in areas where components need to be protected against aggressive media and weathering. Options for indoor and outdoor usage are: small distribution cabinets, as a housing for electronic components used for measuring in a weather station, and for control and monitoring system devices. These robust cabinets have also been used for outdoor desert data logging devices, chemical processing plant monitors, and as flow meters in oil refineries. Special Ex versions are also available.

Fiberglass Mini Cabinets are offered with an opaque door or with a laminated safety-glass viewing window in the door. Optional handle components and locks are made of fiberglass polyester with stainless steel fittings. All components are non-corrosive. Lid screw threads are stainless steel and will not strip out, ensuring a tight watertight seal for the life of the box.

These watertight mini cabinets include: a compression molded fiberglass base and lid, stainless steel hinge pins, and stainless steel hinge springs. Neoprene gasket. Door locks, keys, mounting plates, external brackets, etc. are options and must be ordered separately. Locks are required.

TECHNICAL DATA:

- Color: Agate gray, similar to RAL 7038. Special colors on request. Minimum quantity may be required.
- Material:
Enclosure—Compression-molded glassfiber reinforced polyester
Gasket—Neoprene
- Ingress Protection: IP66 to EN 60529
NEMA 4, 4X
- Temperature range: -40°F up to +212°F
with window -40°F up to +176°F
- Impact resistance: >7Nm, EN 50014
- Surface resistance: >10¹² Ohm, VDE 0303/DIN 53482
- Flammability: UL 94 VO/self-extinguishing
- Disruptive strength: 18KV/mm, VDE 0303/DIN 53481
- Toxicity: Halogen-free
- Insulation: Fully insulated, VDE 100

Fiberglass Watertight Mini Cabinets					
Part #	Length (Inches/mm)	Width (Inches/mm)	Height (Inches/mm)	Weight Lbs.	Drawing Page #
21202000	7.87 / 200	7.87 / 200	6.69 / 170	4.30	17-270
22202000	7.87 / 200	7.87 / 200	6.69 / 170	4.45	17-270
21122000	7.87 / 200	4.72 / 120	3.94 / 100	2.35	17-270
22122000	7.87 / 200	4.72 / 120	3.94 / 100	2.50	17-270
21162600	10.24 / 260	6.30 / 160	3.94 / 100	3.75	17-270
22162600	10.24 / 260	6.30 / 160	3.94 / 100	3.90	17-270
21163400	13.39 / 340	6.30 / 160	3.94 / 100	3.75	17-270
22163400	13.39 / 340	6.30 / 160	3.94 / 100	3.90	17-270
21201500	5.91 / 150	7.87 / 200	3.94 / 100	–	17-270
22201500	5.91 / 150	7.87 / 200	3.94 / 100	–	17-270
21203000	11.81 / 300	7.87 / 200	6.69 / 170	5.40	17-270
22203000	11.81 / 300	7.87 / 200	6.69 / 170	5.55	17-270

Note: Dimensions are external. Metric is the primary dimension. Inch conversions are for the user's convenience and are for reference only. Accessories shown on drawing page.

Cabinet Enclosures

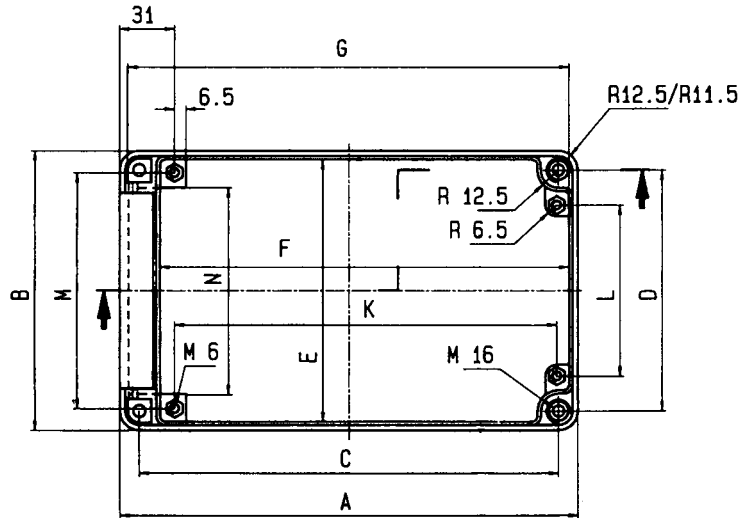
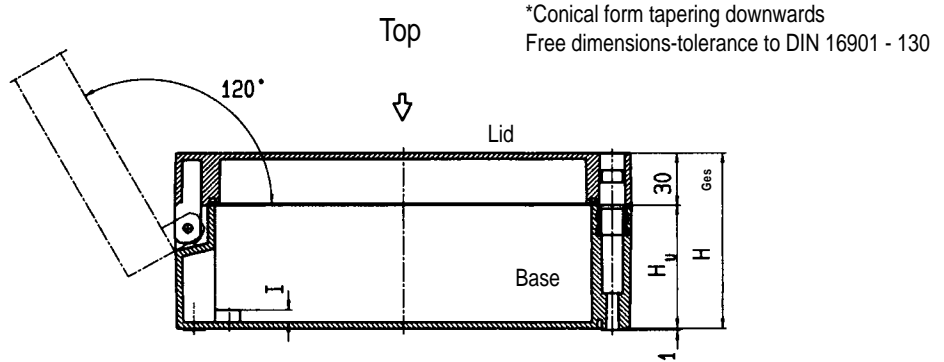
Standard Features

2020 / 1220 / 1626 / 1634 / 2015 / 2030 Cabinets include: Compression molded fiberglass base and lid, stainless steel hinge pins, stainless steel mounting plate screw inserts, stainless steel external wall mounting bracket screw inserts (molded-in). Neoprene gasket.

- 21202000 Fiberglass Cabinet, opaque door.
- 22202000 Fiberglass Cabinet, glass window.
- 21122000 Fiberglass Cabinet, opaque door.
- 22122000 Fiberglass Cabinet, glass window.
- 21162600 Fiberglass Cabinet, opaque door.
- 22162600 Fiberglass Cabinet, glass window.
- 21163400 Fiberglass Cabinet, opaque door.
- 22163400 Fiberglass Cabinet, glass window.
- 21201500 Fiberglass Cabinet, opaque door.
- 22201500 Fiberglass Cabinet, glass window.
- 21203000 Fiberglass Cabinet, opaque door.
- 22203000 Fiberglass Cabinet, glass window.

Accessories

- 10093312 Phillips Lock (set of 2 with key).
- 10093313 Triangular lock (set of 2). Key must be ordered separately.
- 10093314 Square lock (set of 2). Key must be ordered separately.
- 10094320 Extra Phillips lock key.
- 10094325 Triangular metal key.
- 10094326 Square metal key.
- 10089202 Internal galvanized steel mounting plate for 2020.
- 10011207 Internal galvanized steel mounting plate for 1220.
- 10011208 Internal galvanized steel mounting plate for 1626.
- 10011209 Internal galvanized steel mounting plate for 1634.
- 10011210 Internal galvanized steel mounting plate for 2015.
- 10089204 Internal galvanized steel mounting plate for 2030.
- 10052008 Wall mount brackets for 2020 & 2030 (set of 4).
- 10031008 Wall mount brackets for 1220, 1626, 1634 and 2015 (set of 4).
- 10051051 Mounting plate screws and washers (set of 4), M6 x 10mm x 1.0 pitch.



Part #	A*	B*	C	D	E*	F	G	I	K	L	M	N	H _u	H _{ses}
21122000	201.5 / 155	123 / 120.5	178	98	113 / 111	173.5	190	7.0	157	58	95	78	70	100
21162600	261.5 / 259	163 / 160.5	238	138	153 / 151	233.5	250	8.0	217	98	118	118	70	100
21163400	341.5 / 339	163 / 160.5	318	138	153 / 151	313.5	330	7.5	297	98	118	118	70	100
21201500	151.5 / 149	203 / 200.5	128	178	193 / 191	123.5	140	8.5	88	175	158	158	70	100
21202000	200.0 / 197	200 / 197.0	175	175	190 / 187	173.0	188	8.5	135	170	149	149	138	168
21203000	300.0 / 297	200 / 197.0	275	175	190 / 187	273.0	288	8.5	235	170	149	149	138	168

Part #	A	B	C
21222000	116	66	45
22162600	176	108	45
22163400	256	108	45
22201500	16	147	45
22202000	120	120	45
22203000	210	120	45

