

Fiberglass 3040/4060 Cabinets

Small Industrial Cabinets



For Finishing Services, Product Support, or to Order

Call 1-301-696-9800



UL® / cUL®



- Enclosure system with hidden external hinge
- Standard version or with window
- Polycase version with integrated handle

Technical data

Material:

glass fibre reinforced duroplastic polyester

Colour:

RAL 7038, agate grey
special colour on request

Ingress protection:

IP 66 to EN 60529

Impact resistance:

7 Joule to EN 60079-0

Flammability:

V0 / self-extinguishing, UL 94

Insulation:

fully insulated to VDE 0100

Disruptive strength:

18 KV/mm, IEC 60243-1

Toxicity:

halogen-free

Surface resistance:

>10¹² Ohm, IEC 60093

Door opening angle:

135°

Temperature range:

-40°C to +100°C

window version: -40°C to +80°C

Included in delivery

Enclosure consisting of base and door;
please order door lock separately, press-in
inserts in base for internal and external
mounting

Polyglas / Polycase

Program Range

With Built-in Handle

Polyglas / Polycase	Dimensions (mm) W x L x H	Polyglas	Polyglas with window	Polycase	Polycase with window
Size 1	300 x 400 x 200	21.30 40 00	22.30 40 00	23.30 40 00	24.30 40 00
Size 2	400 x 600 x 250	21.40 60 00	22.40 60 00	23.40 60 00	24.40 60 00

Note: Enclosure will be supplied without lock, please order separately!

Optional lock (detached)

Triangular lock 8 mm (2 pcs.)	21.61 00 03
Square lock 8 mm (2 pcs.)	21.61 00 04
Square lock 7 mm (2 pcs.)	21.61 00 14
Daimler-Benz lock (2 pcs.)	21.61 00 06
Double ward lock 3 mm (2 pcs.)	21.61 00 07
Knob (2 pcs.)	21.61 00 01
Knob with lock (2 pcs.)	21.61 00 02

Accessories (loose)

Mounting plate for size 1 (galvanized sheet steel)	10.01 12 03
Mounting plate for size 2 (galvanized sheet steel)	10.01 12 04
External fastening lugs (4 pcs.)	10.03 10 09
Hole lids for fastening through base (4 pcs.)	10.03 90 01
Socket spanner, triangular 8 mm	10.04 70 03
Socket spanner, square 8 mm	10.04 70 04
Socket spanner, square 7 mm	10.04 70 14
Socket spanner Daimler-Benz	10.04 70 06
Socket spanner, two-way 3 mm	10.04 70 07

Accessories



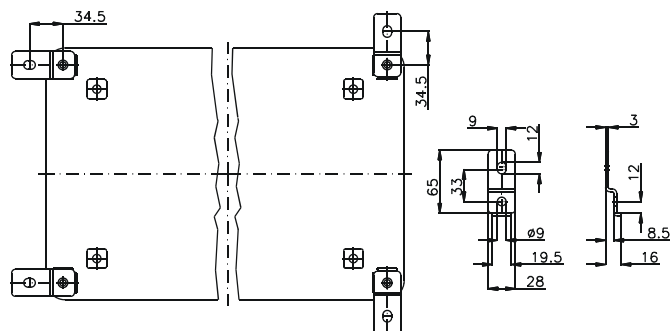
Mounting plates

Order No.	A	B	C	for size
10.01 12 03	2	210	345	300 x 400 mm
10.01 12 04	2,5	310	345	400 x 600 mm



External mounting brackets

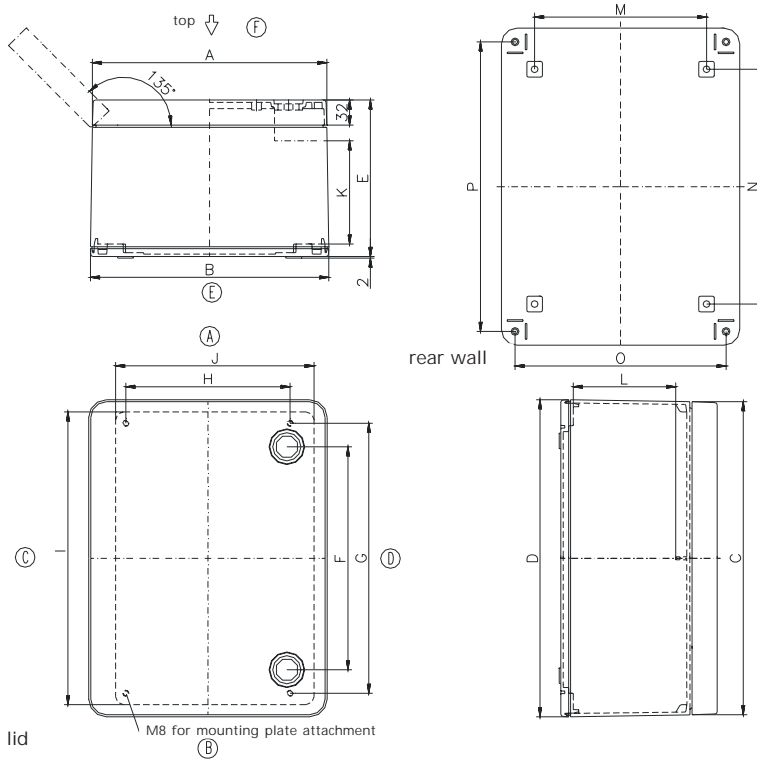
Order No. 10.03 10 09



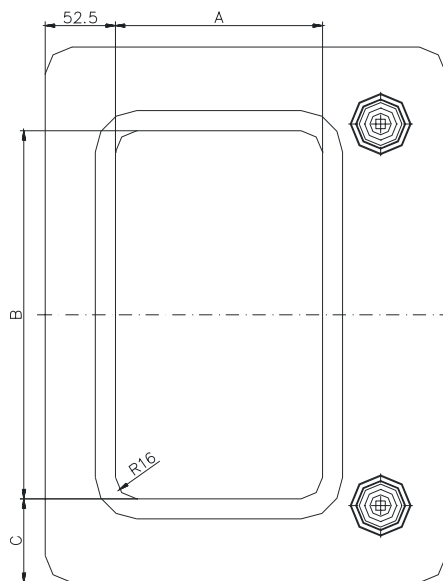
Dimensions

Polyglas

Type	A	B	C	D	E	F	G	H	I	J	K	L	M	N	O	P
21.30 40	300	305	400	405	200	285	345	210	370	254	132	169	220	300	270	370
21.40 60	400	406	600	605	250	478	545	310	566	352	181	217	320	500	370	570



Polycase



Window

Type	A	B	C
22.30 40	153	275	62.5
22.40 60	250	450	75

Applications

