

# GFK Fiberglass/ABS Mini Cabinets

## Small Industrial Cabinets



For Finishing Services, Product Support, or to Order

Call 1-301-696-9800

---

# Polyester / ABS cabinets

---

## Applications





- Enclosure system with hinged lid for MCR technology
- Standard version or with window or transparent door (ABS)

### Technical data

**Material:**

glass fibre reinforced polyester / ABS

**Colour:**

Polyester: pebble grey, similar to RAL 7032

ABS: light grey, similar to RAL 7035

**Ingress protection:**

IP 65 to EN 60529

**Impact resistance:**

> 7 Joule, EN 50014

**Flammability:**

Polyester: V0 / self-extinguishing, UL 94

ABS: HB / UL 94

**Temperature range:**

Polyester: -55°C to +90°C

with window: -55°C to +80°C

ABS: -40°C to +70°C

**Insulation:**

full protective insulation to VDE 0100

**Dielectric strength:**

Polyester: 26 KV/mm, VDE 0303/DIN 53481

ABS: 24 KV/mm, VDE 0303/DIN 53481

**Toxicity:**

free of halogen

**Surface resistance:**

Polyester:  $4 \times 10^{15}$  Ohm, VDE 0303/DIN 53481

ABS:  $4 \times 10^{14}$  Ohm, VDE 0303/DIN 53482

**Water absorption:**

max. 0,2 %, DIN 53495 / ISO R 62

**Door opening angle:**

135°

### Included in delivery

Enclosure consisting of base and door, order door lock separately, base with threaded inserts for internal and external mounting

## Polyester / ABS cabinets

### Programme range

	Dimensions (mm) W x L x H	ABS	ABS with transparent door	GFK	GFK with window
Size 1	200 x 250 x 150	<b>21.20 25 90</b>	<b>22.20 25 90</b>	-	-
Size 2	250 x 300 x 170	<b>21.25 30 90</b>	<b>22.25 30 90</b>	-	-
Size 1	199 x 248.5 x 149	-	-	<b>21.20 25 00</b>	<b>22.20 25 00</b>
Size 2	248.5 x 298 x 166	-	-	<b>21.25 30 00</b>	<b>22.25 30 00</b>

Note: Enclosure supplied without lock, please order separately.

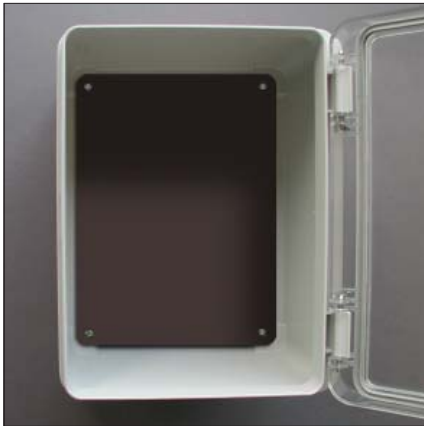
### Optional lock (detached)

Triangular lock 8 mm (1 pc.)	<b>21.62 00 03</b>
Square lock 8 mm (1 pc.)	<b>21.62 00 04</b>
Knob (1 pc.)	<b>21.62 00 01</b>
Knob with lock (1 pc.)	<b>21.62 00 02</b>

### Accessories (detached)

Mounting plate for size 1 (hard paper)	<b>10.01 12 05</b>
Mounting plate for size 2 (hard paper)	<b>10.01 12 06</b>
Internal aluminium front plate with stud bolt for size 1	<b>10.01 31 01</b>
Internal aluminium front plate with stud bolt for size 2	<b>10.01 31 02</b>
External mounting brackets (4 pcs.)	<b>10.03 10 10</b>
Hole covers for fastening through the cabinet bottom (4 pcs.)	<b>10.03 90 02</b>
Socket spanner, triangular 8 mm	<b>10.04 70 03</b>
Socket spanner, square 8 mm	<b>10.04 70 04</b>

Accessories



Mounting plate

Order No.	A	B	C	D	for type
<b>10.01 12 05</b>	173	234	155	210	21.20 25
<b>10.01 12 06</b>	221	284	205	260	21.25 30



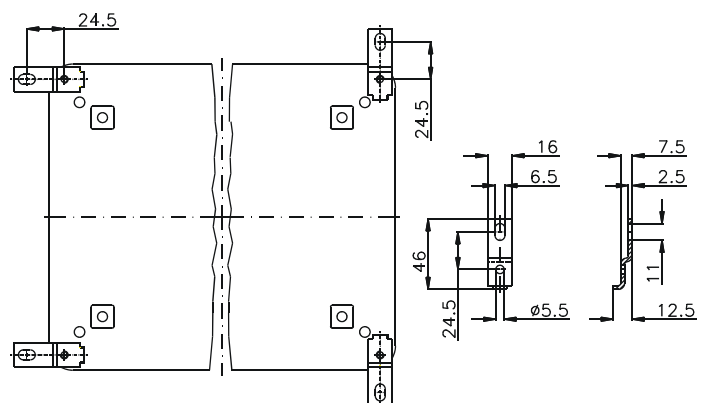
Internal front plate with stud bolt

Order No.	A	B	C	D	for type
<b>10.01 31 01</b>	173	234	155	210	21.20 25
<b>10.01 31 02</b>	221	284	205	260	21.25 30



External brackets

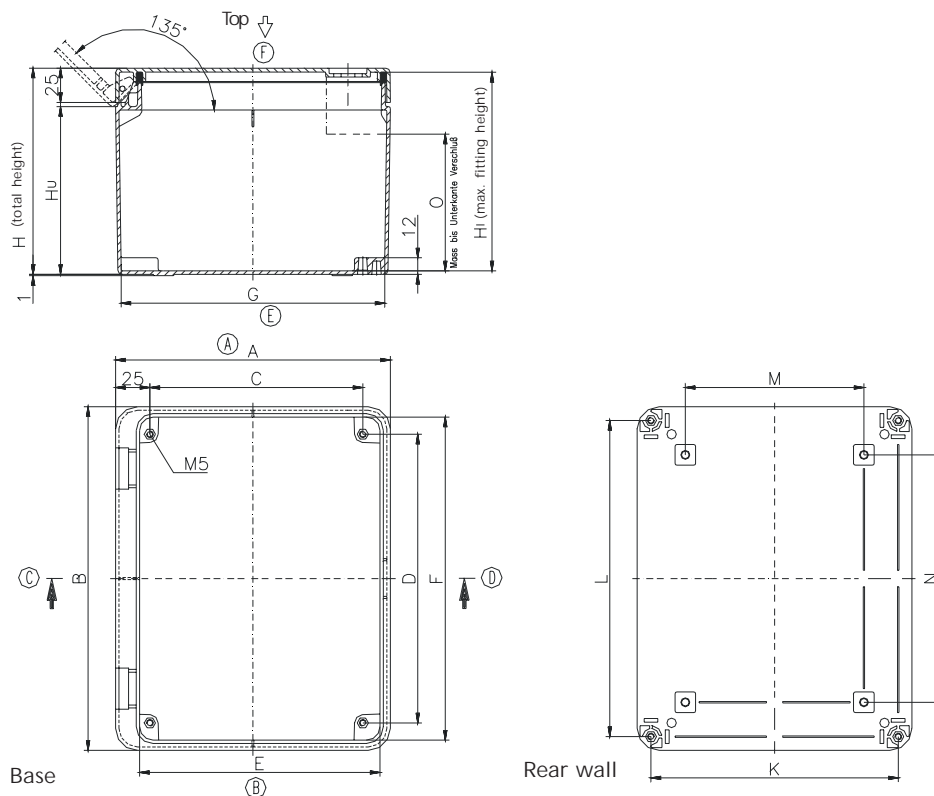
Order No. 10.03 10 10



# Polyester / ABS cabinets

## Dimensions

Type	A	B	C	D	E	F	G	K	L	M	M	O	H <sub>I</sub>	H <sub>U</sub>	H <sub>Ges</sub>
21./22.20 25 00	199	248.5	154	209	174.5	236.5	193	179	229.2	129.4	179	100.1	145	121	149
21./22.25 30 00	248.5	298	204	259	222.5	284	242.5	228.1	227.5	179.5	228.8	119.7	165	141	166
21./22.20 25 90	200	250	155	210	174	236.5	194	180	230	130	180	99.5	144	122	150
21./22.25 30 90	250	300	205	260	223	285	243	230	280	180	230	119	164	142	170



### Window (with polyester version)

Type	A	B	C	D
21.20 25	100	192	38	29
21.25 30	145	242	43	29

