

BP Console Housings

Sloped Housing System



For Finishing Services, Product Support, or to Order

Call 1-301-696-9800

BP Sloped Housings



An elegant, ergonomic design is what distinguishes these two ABS console enclosures.

BP 810

This enclosure can be used for both consoles and a wire-linked hand-held unit.

Especially developed for combining the use of a chip card reader with an input keypad, its design makes it excellent for use as a small control console enclosure.

The front area, recessed by 1 mm, is designed for the flush-fitting of membrane keypads. The front panel – included in the scope of delivery –

can be processed separately without any problems and provides adequate space for a wide range of connector designs.

BP 900 F

Ingress protection IP 65 makes this console enclosure especially suitable for use under extreme environmental conditions.

Wall fitting is easy to achieve by means of the break-out keyhole suspension system. Mounting plates and PCBs can be fixed in different positions and levels using self-tapping screws in the mounting bosses.

Console enclosure BP 810

Enclosure material: ABS; for technical data see pages 646-650.

Colour: Light grey, similar to RAL 7035.

Ingress protection: IP 40/DIN EN 60529

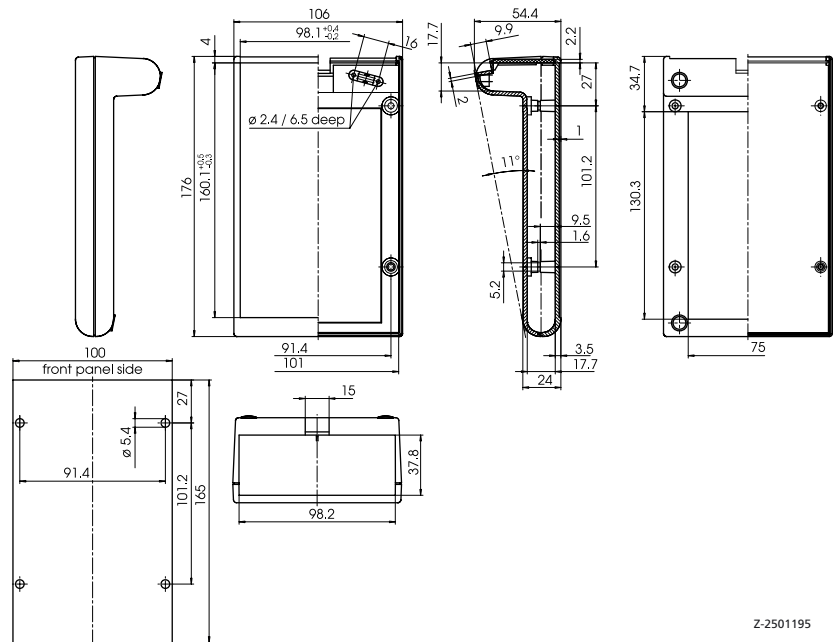
Scope of delivery:

Lid and base, fixing screws, front panel, rubber feet.

Enclosure Model	Order no.	Ext. dimensions		
		L	D	H
BP 810	45810000	176	106	54/24

BP 810 is characterized by the following features:

- elegant, ergonomic design
- large membrane keypad area 98.1 x 160.1 mm with recess 1 mm deeper
- single-PCB technology, clamped between lid and base
- large-area front panel on the front
- recessed installation area for cable guides, etc.



Z-2501195

Console enclosure BP 900-F

Enclosure material: ABS; for technical data see pages 646-650.

Colour: Agate grey, similar to RAL 7038; special colours on request.

Ingress protection: IP 65 / DIN EN 60529

Scope of delivery:

Lid and base, lid seal in groove in horizontal position, 2 cover panels, fixing screws.

Seal: Neoprene

Enclosure Model	Order no.	Ext. dimensions		
		L	D	H
BP 900-F	45900600	211	100	118

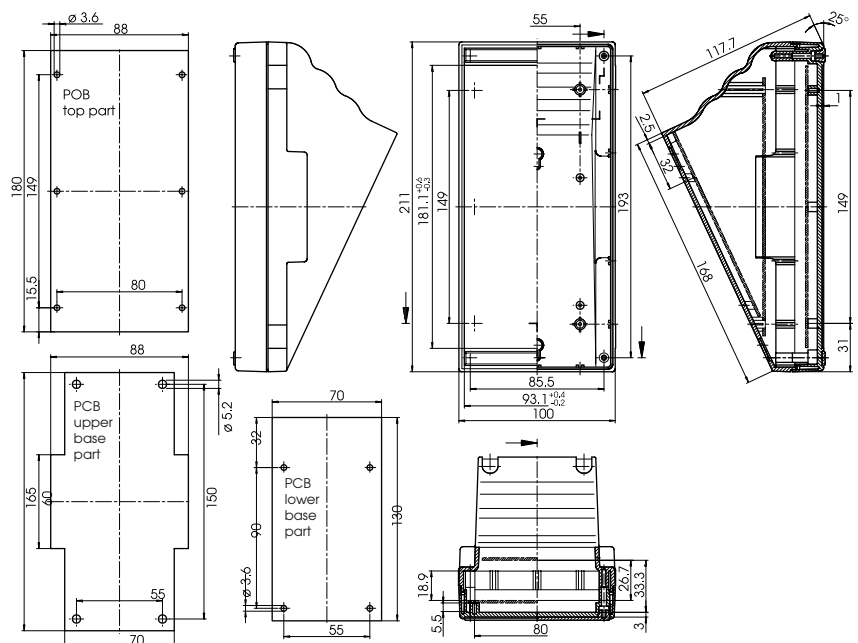
The console enclosure for three different uses:

- flat position on table
- angled position on table
- wall mounting

The enclosure screws are sealed off on top of and under the membrane area (93.1 x 181.1 x 1 mm deep) by means of screw covering strips which cannot be removed without damage.

BP 900 F is ideal for use as a charging operation terminal. The base can be screwed parallel to the STD 900.

Fitting with contacts e.g. with sub-D-connectors from a charging/transfer station (STD 900) and an operating unit (BP 900 F) is also possible. The "PCB top part" version is envisaged for this type.



Z-2801223