



ROSE+BOPLA
ENCLOSURES

A PHOENIX MECANO COMPANY

Executive Sloped Housings Product Drawings Last Updated 7/7/2008

Rose+Bopla Enclosures
7330 Executive Way
Frederick, MD 21704
301-696-9800
www.rose-bopla.com
rbinfo@pm-usa.com

Dimensional Drawings

For Secondary Services, Product Support, or To Order, Call 1-301-696-9800

Executive Sloped Front Housings are ideally suited for use as a desktop or wall-mount enclosures because of their ergonomically angled desktop surface. In the PD design, the lid

Executive Sloped Housings

features, as standard, a recessed display surface for LCD displays. The compact desktop design of this system creates many opportunities to use this enclosure for small keypads, displays or access controls.

TECHNICAL CHARACTERISTICS:

- **Enclosure screwing systems:** Concealed hardware for these housings is supplied as standard, 4 to 5 self-tapping screws for insertion from beneath.
- **Wall mounting:** Achieved by means of breakout keyholes by pushing the enclosure onto prefitted screws. The keyhole openings can be closed from the inside with EG-AK covers.
- **PCB mounting:** PC boards or mounting plates can be attached on mounting bosses in the lid and base with self tapping screws. In addition, slot-in grooves are provided for PC boards or mounting plates, which can be positioned vertically and parallel to the rear wall. In model series EG 20..., the arrangement of the bosses is specifically designed for use with a Euro card (160 x 100mm, 6.30" x 3.94") with plug-in connectors.

An Executive Sloped Front Housing includes a lid, base, 4 assembly screws and plastic rear panel. The PD version features a clear display window.



TECHNICAL DATA:

- Color: light gray, similar to RAL 7035. Base, covers and rear panels, agate gray, similar to RAL 7038. Special colors on request. Minimum order of 500+ pieces applies.
- Material: Impact-resistant polystyrene
- Ingress Protection: IP 40/DIN VDE 0470
- Surface resistance: $>10^{13}$ Ohm to DIN 53482
- Flammability: UL 94 HB/1.47

Executive Sloped Front Housings						
Model Number	Part Number	Length (Inches/mm)	Width (Inches/mm)	Height (Inches/mm)	Weight LBS.	Drawing Page #
EG 1240 PD	32124080	4.92 / 125	2.64 / 67	1.57 / 40	.20	17-278
EG 1240 P	32124070	4.92 / 125	2.64 / 67	1.57 / 40	.20	17-278
EG 1545 PD	32154580	5.90 / 150	3.23 / 82	1.77 / 45	.30	17-279
EG 1545 P	32154570	5.90 / 150	3.23 / 82	1.77 / 45	.30	17-279
EG 2060 PD	32206000	7.87 / 200	4.41 / 112	2.52 / 64	.55	17-280
EG 2060 P	32206010	7.87 / 200	4.41 / 112	2.52 / 64	.55	17-280

PD=with opening for display P=without opening
Accessories shown on drawing page.

Note: Dimensions are external. Metric is the primary dimension. Inch conversions are for the user's convenience and are for reference only.



EG 1545 P (PD)

External Dimensions: L150 x W82 x H45 mm

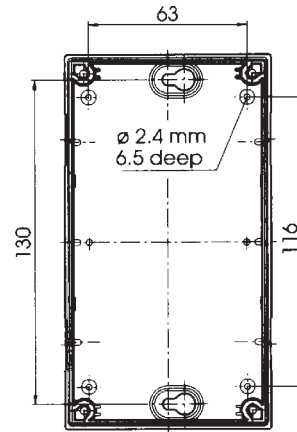
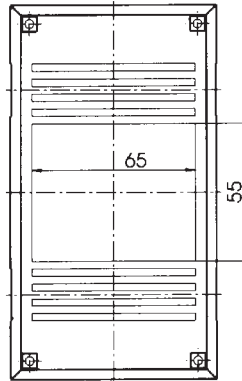
Page 12-03

Standard Features

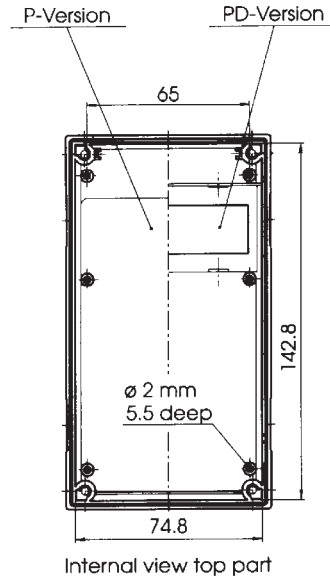
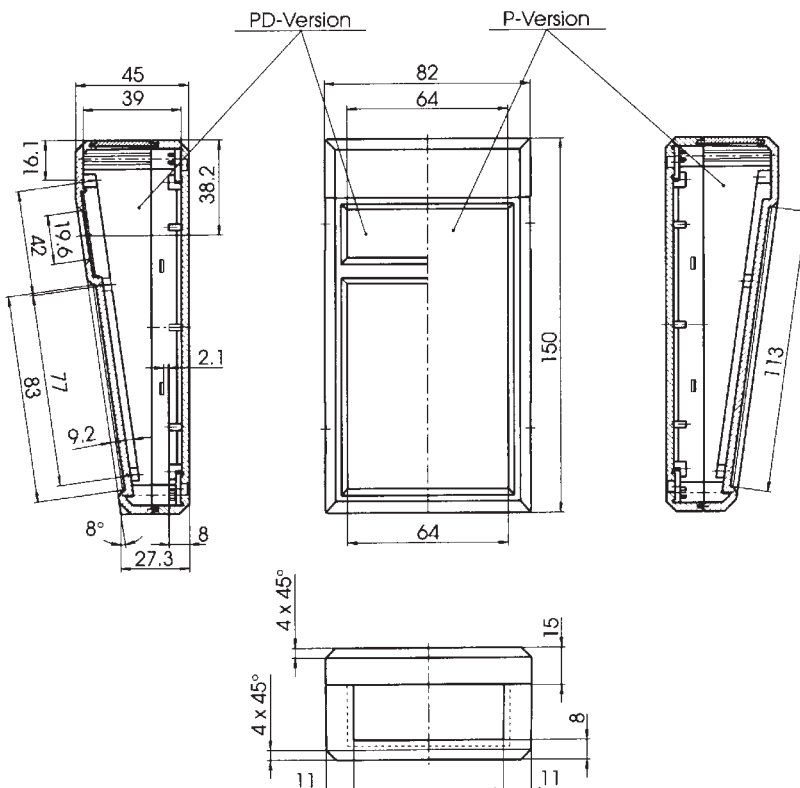
- **EG 1545 PD/32154580** Console housing with opening for display. Includes: lid, base, rear panel, display screen, and 4 assembly screws. Display area, 64 x 19.6mm. Membrane keypad area 64 x 83 x 1mm deep.
- **EG 1545 P/32154570** Console housing with continuous membrane keypad area. Includes: lid, base, rear panel, and 4 assembly screws. Membrane keypad area 64 x 113 x 1mm deep.

Accessories

- **EG-F 1545** Rear panel (64.6 x 26.9mm), 1mm anodized aluminum
- **EG-M 15/33015000** Mounting plate (126.1 x 74.6mm) 2mm laminated paper
- **EG-SA/33000300** Set of screw covers for assembly screws, 4 piece pack.
- **EG-AK/33000100** Covers for keyhole suspension, 2 piece pack.
- **EG-GF/25002100** Rubber Feet, 4 piece pack.



Internal view base part



Internal view top part

Dimensional Drawings

Keyboard & Sloped Housings

EG 2060 P (PD)

External Dimensions: L200 x W112 x H64 mm

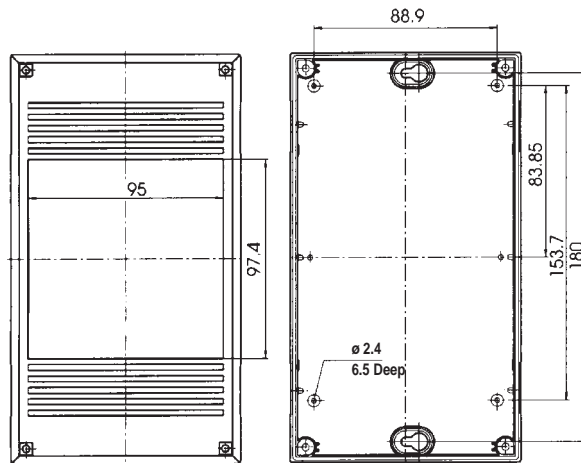
Page 12-03

Standard Features

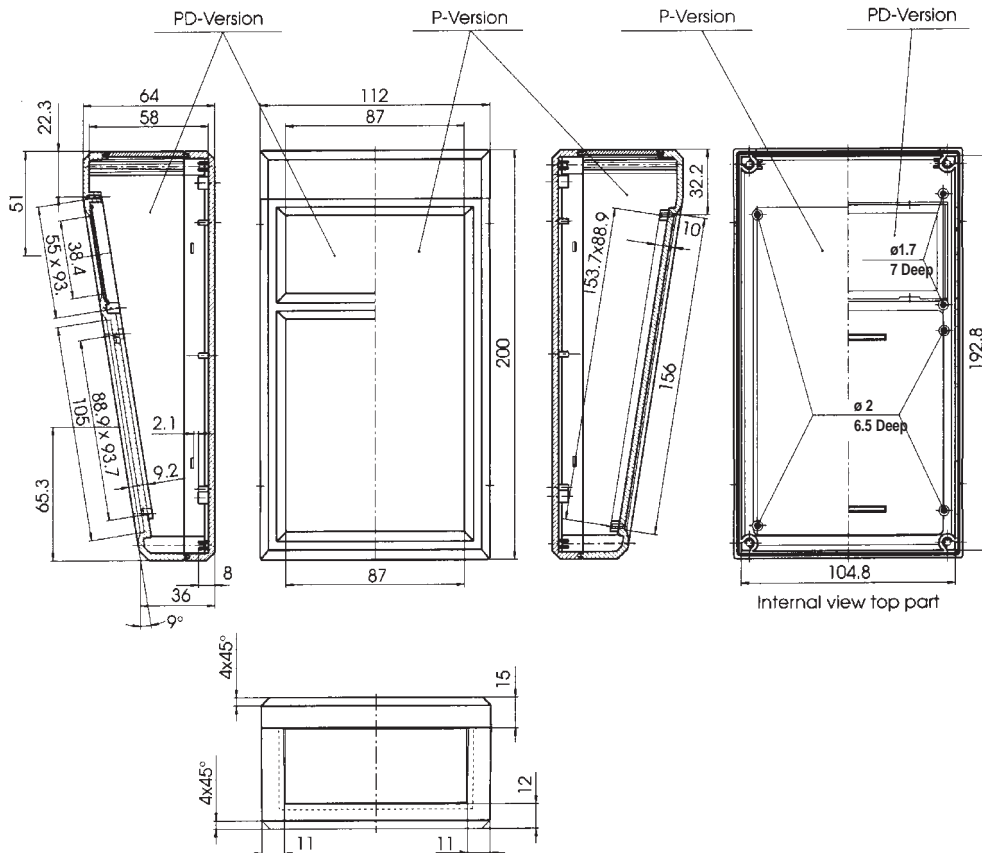
- **EG 2060 PD/32206000** Console housing with opening for display. Includes: lid, base, rear panel, display screen, and 4 assembly screws. Display area, 87 x 38.4mm. Mounting bosses are available for displays (20 characters, 4 lines). Membrane keypad area 87 x 105 x 1mm deep.
- **EG 2060 P/32206010** Console housing with continuous membrane keypad area. Includes: lid, base, rear panel, and 4 assembly screws. Membrane keypad area 87 x 156 x 1mm deep.

Accessories

- **EG-M 20/33020000** Mounting plate (176 x 104.6mm) 2mm laminated paper
- **EG-SA/33000300** Set of screw covers for assembly screws, 4 piece pack.
- **EG-AK/33000100** Covers for keyhole suspension, 2 piece pack.
- **EG-GF/25002100** Rubber Feet, 4 piece pack.



Internal view base part



Internal view top part