

Executive Sloped Housings

Electronic Sloped Housing System



For Finishing Services, Product Support, or to Order

Call 1-301-696-9800

Executive Sloped Housings



Thanks to its ergonomically angled desktop surface this series of enclosures is ideally suited for use as a desktop or wall enclosure.

In the PD design, the lid contains as standard a recessed display surface for LCD displays.

The compact desktop design of this system creates good opportunities for use as an enclosure for small keypads, displays or access controls.

Enclosure material: Impact-resistant polystyrene; for technical data see pages 646-650.

Colour: Lid light grey, similar to RAL 7035; base, covers and rear panels agate grey, similar to RAL 7038; special colours on request.

Ingress protection: Closed version: IP 40/DIN EN 60529.

Scope of delivery:

Lid and base,
4 fixing screws,
rear panel.
PD version with display screen.

Technical characteristics:

Enclosure screwing systems:

Supplied as standard with threaded inserts.

Wall assembly:

Wall assembly as standard by means of break-out keyholes by pushing the enclosure onto pre-fitted screws. The keyhole openings can be closed from the inside by means of covers (EG-AK).

PCB fitting:

PCBs or mounting plates can be fitted on mounting bosses in the lid and base with self-tapping screws. In addition, slot-in grooves are provided for PCBs or mounting plates which are fitted vertically and parallel to the rear wall.

In model series EG 20., the arrangement of the bosses is designed especially for use with a Euro card (160 x 100 mm) with plug-in connectors.

Accessories (additional charge):

EG-SA: Screw cover
(1 set = 4 pieces)

EG-AK: Cover for keyhole suspension (1 set = 4 pieces)

EG-M: Mounting plate

EG-F...: Front/rear panel, aluminium anodized 1 mm

Note:

P versions with console-type lid.
PD versions with console-type lid and display opening.

Tip:

This design is also available as
- Executive desktop/hand-held enclosures (from page 124)
- plug enclosures (from page 144)



Executive Sloped Housings

EG 1240 PD / EG 1240 P

Enclosures		External dimensions in mm		
Model	Order no.	L	W	H
EG 1240 PD	32124080	125	67	40
EG 1240 P	32124070	125	67	40

PD = with opening for display
P = without opening

PD version:

Display area 46 x 11 mm.
Membrane keypad area
46.1 x 70.1 x 1 mm deep.
Display screen included in scope of
delivery.

P version:

Membrane keypad area
46.1 x 90.1 x 1 mm deep.

EG 1240 PD / EG 1240 P

EG 1545 PD / EG 1545 P

Enclosures		External dimensions in mm		
Model	Order no.	L	W	H
EG 1545 PD	32154580	150	82	45
EG 1545 P	32154570	150	82	45

PD = with opening for display
P = without opening

PD version:

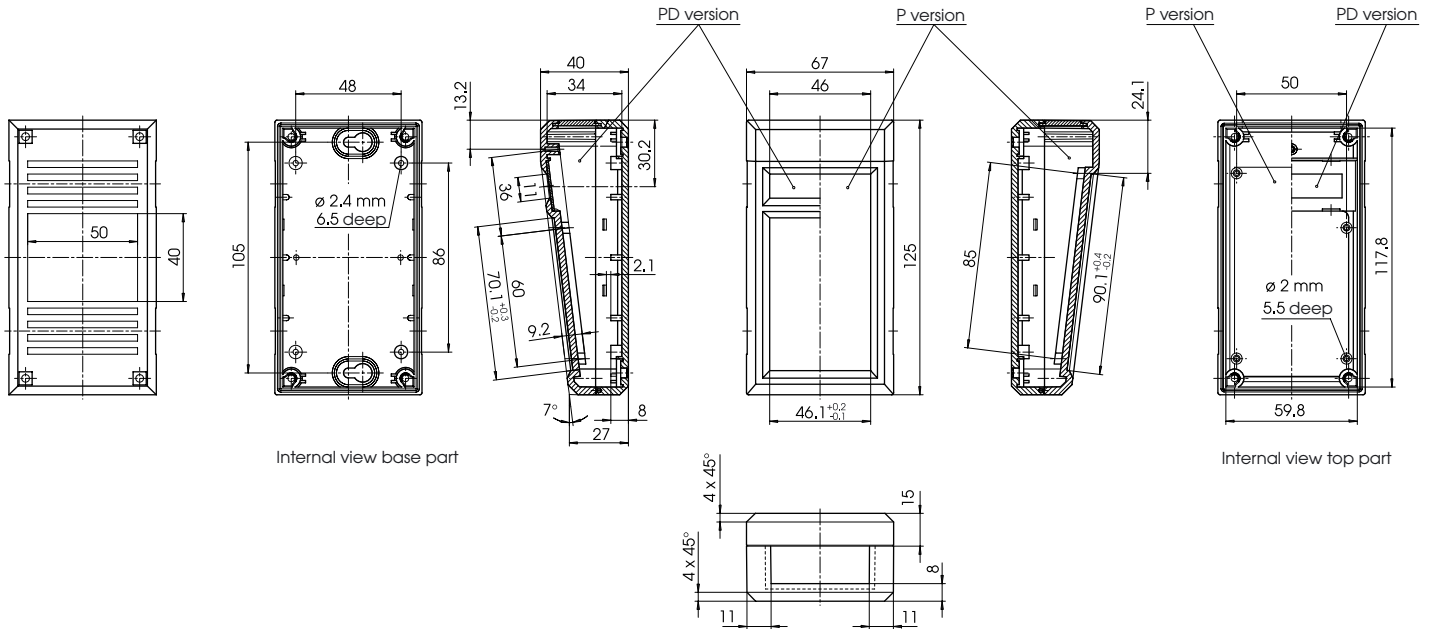
Display area 64 x 19.6 mm.
Membrane keypad area
64.1 x 83.2 x 1 mm deep.
Display screen included in scope of
delivery.

P version:

Membrane keypad area
64.1 x 113.1 x 1 mm deep.

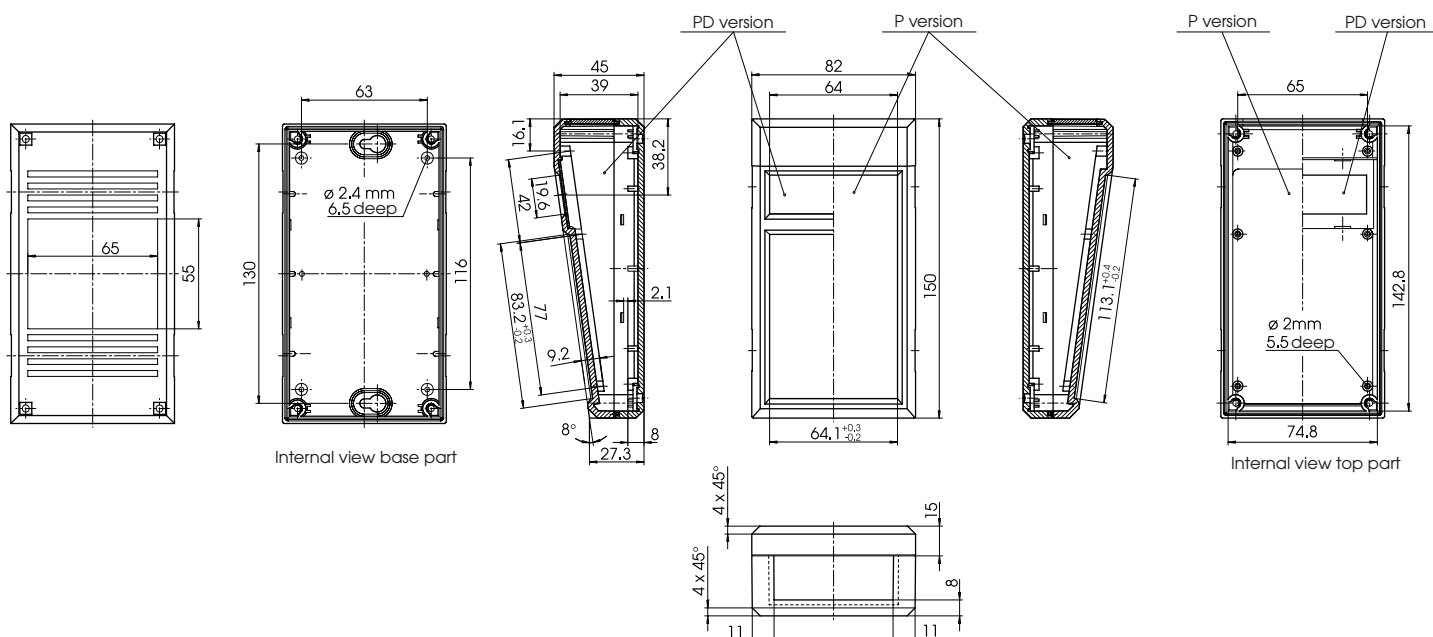
EG 1545 PD / EG 1545 P

EG 1240 P(D)

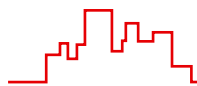


Z-2800768

EG 1545 P(D)



Z-2800803



Executive Sloped Housings



EG 2060 PD

EG 2060 PD / EG 2060 P

Enclosures		External dimensions in mm		
Model	Order no.	L	W	H
EG 2060 PD	32206000	200	112	64
EG 2060 P	32206010	200	112	64

PD = with opening for display

P = without opening

PD version:

Display area 87 x 38.4 mm.

Mounting bosses are available for displays (20 characters, 4 lines).

Membrane keypad area

87.1 x 105.2 x 1 mm deep.

Display screen included in scope of delivery.

P version:

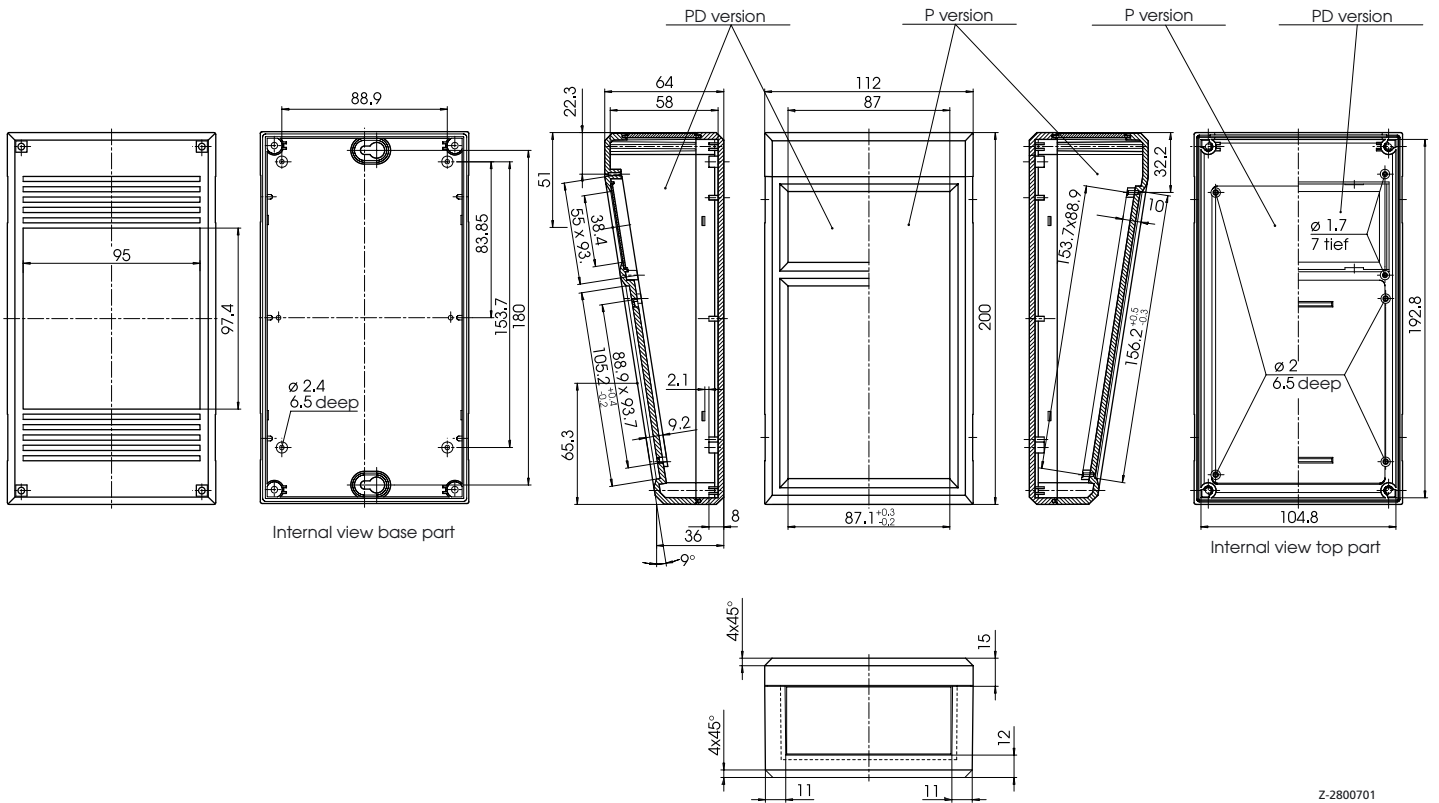
Membrane keypad area

87.1 x 156.2 x 1 mm deep.

Accessories

Model	Order no.	Designation	Dimensions
EG-M 12	33012000	Mounting plate, 2 mm laminated paper	101.0 x 59.6
EG-M 15	33015000	Mounting plate, 2 mm laminated paper	126.1 x 74.6
EG-M 20	33020000	Mounting plate, 2 mm laminated paper	176.0 x 104.6
EG-SA	33000300	Set of screw covers for fixing screws	1 set = 4 pieces
EG-AK	33000100	Covers for keyhole suspension	1 set = 2 pieces
EG-GF	25002100	Rubber feet	1 set = 4 pieces

EG 2060 P(D)



Z-2800701