



ROSE+BOPLA
ENCLOSURES

A PHOENIX MECANO COMPANY

Futura Sloped Housings Product Drawings Last Updated 7/7/2008

Rose+Bopla Enclosures
7330 Executive Way
Frederick, MD 21704
301-696-9800
www.rose-bopla.com
rbinfo@pm-usa.com

Dimensional Drawings

For Secondary Services, Product Support, or To Order, Call 1-301-696-9800



Keyboard & Sloped Housings

In the Futura product series you will find enclosures with a built-in wrist rest or with a tilting display area for optimal legibility. These flat control or keypad enclosures were designed especially for

Futura Sloped Housings

EDP workplaces, according to ergonomic guidelines. In addition, there are designs in which the half-shells are assembled either as a console type or with the top shell inverted as a parallel design. Almost all these enclosures are suitable for this type of assembly. Most all these housings are suitable for assembly with a mechanical keypad, display, and flush-fitting membrane keypads. Some housings in this series can be supplied with either a closed or open rear wall.

The aluminum panels, which are supplied as standard with the open versions, can easily be modified to your design. They provide sufficient space for different types of connectors or sub-D sockets.

A number of mounting bosses are incorporated into the lids and bases to accept PC boards or mounting plates.

Futura housings come standard with a lid, base, assembly screws and 4 rubber feet. The RO versions come with an aluminum front panel.



Futura Keyboard & Sloped Housings							
Model Number/Description	Part Number	Length (Inches/mm)	Width (Inches/mm)	Height Console (Inches/mm)	Height Parallel (Inches/mm)	Weight lbs.	Drawing Page #
T 888 F	47888200	<i>Console/parallel design.</i>					
		7.68 / 195	10.83 / 275	0.96 / 24.5-F 1.89 / 48.0-R	1.43 / 36.3	1.085	17-282
T 889 F	47889200	<i>Console/parallel design.</i>					
		6.69 / 170	5.20 / 132	0.96 / 24.5-F 1.77 / 44.9-R	1.37 / 34.7	.463	17-282
T 898	47898000	<i>Console/parallel design. Split key area</i>					
		7.68 / 195	5.94 / 151	0.99 / 25.2-F 1.89 / 48.0-R	1.43 / 36.3	.611	17-283
T 898 F	47898200	<i>Console/parallel design. Continuous key area</i>					
		7.68 / 195	5.94 / 151	0.99 / 25.2-F 1.89 / 48.0-R	1.43 / 36.3	.628	17-283
T 898 RO	47898100	<i>Console design. Rear wall open, split key area</i>					
		7.68 / 195	5.94 / 151	0.99 / 25.2-F 1.89 / 48.0-R	N/A	1.100	17-283
T 898 F RO	47898300	<i>Console design. Rear wall open, continuous key area</i>					
		7.68 / 195	5.94 / 151	0.99 / 25.2-F 1.89 / 48.0-R	N/A	.606	17-283
T 899	47899001	<i>Console/parallel design.</i>					
		4.92 / 125	5.91 / 150	0.59 / 15.0-F 1.21 / 30.7-R	0.90 / 23.0	.417	17-284
T 890	47890001	<i>Console design.</i>					
		11.81 / 300	8.86 / 225	0.67 / 17.0-F 1.91 / 48.5-R	N/A	.970	17-284
T 893	47893001	<i>Console design.</i>					
		19.69 / 500	8.86 / 225	0.67 / 17.0-F 1.91 / 48.5-R	N/A	3.380	17-284
T 895 P	47895101	<i>Console design with hinged display section</i>					
		19.00 / 480	13.11 / 333	3.51 / 89.3	N/A	3.815	17-285
T 900	47900000	<i>Console design with hinged display section</i>					
		11.02 / 280	9.64 / 245	1.30 / 33.0	N/A	1.563	17-285

R=rear F=front

Accessories shown on drawing page.

Note: Dimensions are external. Metric is the primary dimension. Inch conversions are for the user's convenience and are for reference only.

TECHNICAL DATA:

- Color: light gray, similar to RAL 7035. T 900, black. Special colors on request. Minimum order of 500+ pieces applies.
- Material: ABS plastic
- Ingress Protection: IP 40/DIN VDE 0470
- Surface resistance: >10¹⁴ Ohm to DIN 53482
- Flammability: UL 94 HB/1.6
- Disruptive strength: 17KV/mm to DIN 53481



Futura T 898 F-RO (left), featuring an open rear wall, comes with an anodized aluminum rear panel, 1mm thick. T 898 RO (right) features a split keypad area

Keyboard & Sloped Housings

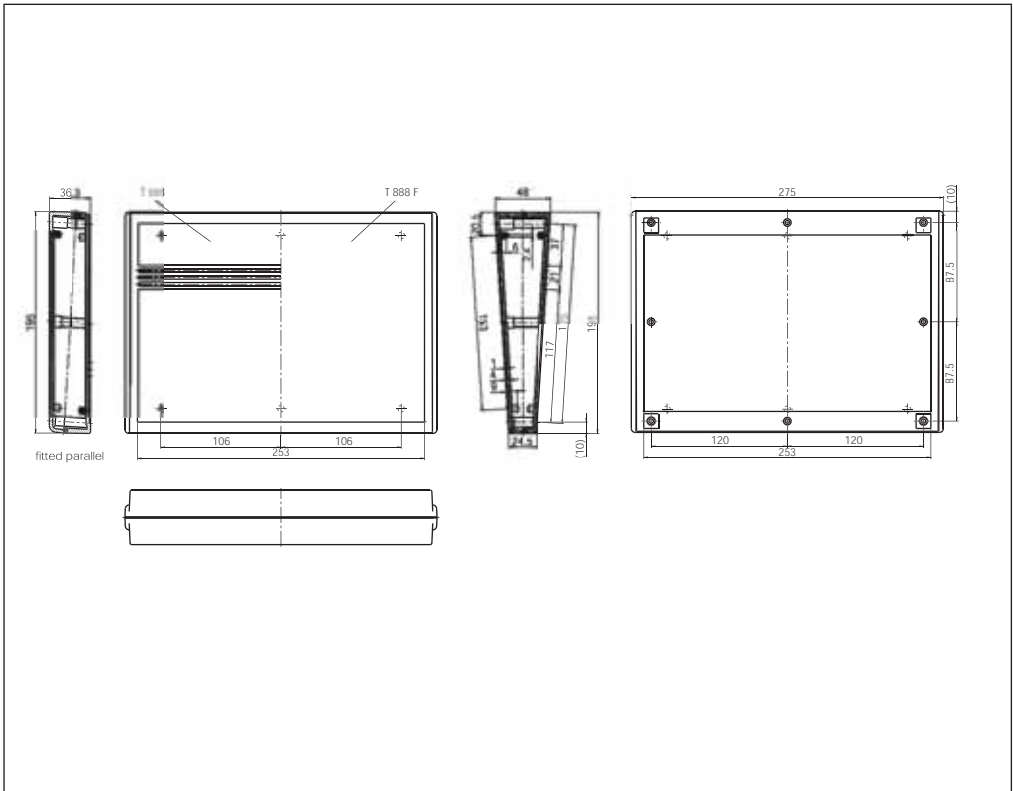
T 888 F

External Dimensions: L195 x W275 x CH24.5 / 48 PH36.3 mm

Page 12-05

Standard Features

- **T 888 F/47888200** Desktop enclosure, console or parallel.
- Features large keypad area, recessed 1mm deep.
- Includes lid, base, assembly screws and 4 rubber feet.
- IP 40 (IP 54 models available on request).



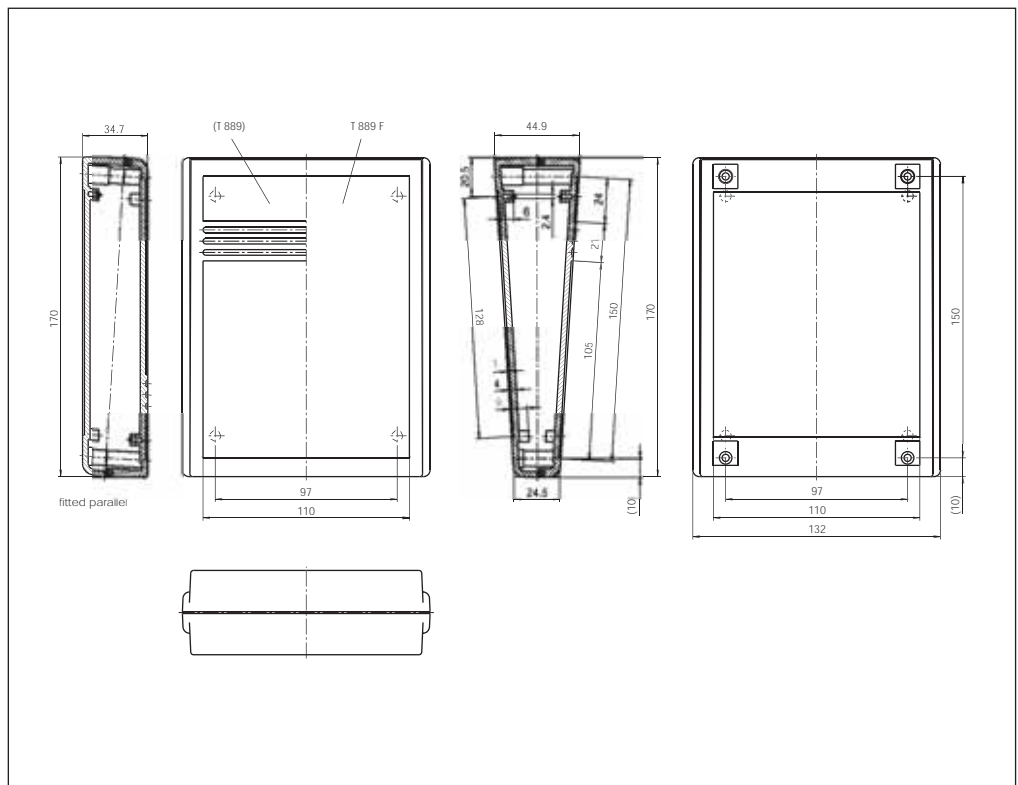
T 889 F

External Dimensions: L170 x W132 x CH24.5 / 44.9 PH36.3 mm

Page 12-05

Standard Features

- **T 889 F/47889200** Desktop enclosure, console or parallel.
- Features large keypad area, recessed 1mm deep.
- Includes lid, base, assembly screws and 4 rubber feet.
- IP 40 (IP 54 models available on request).



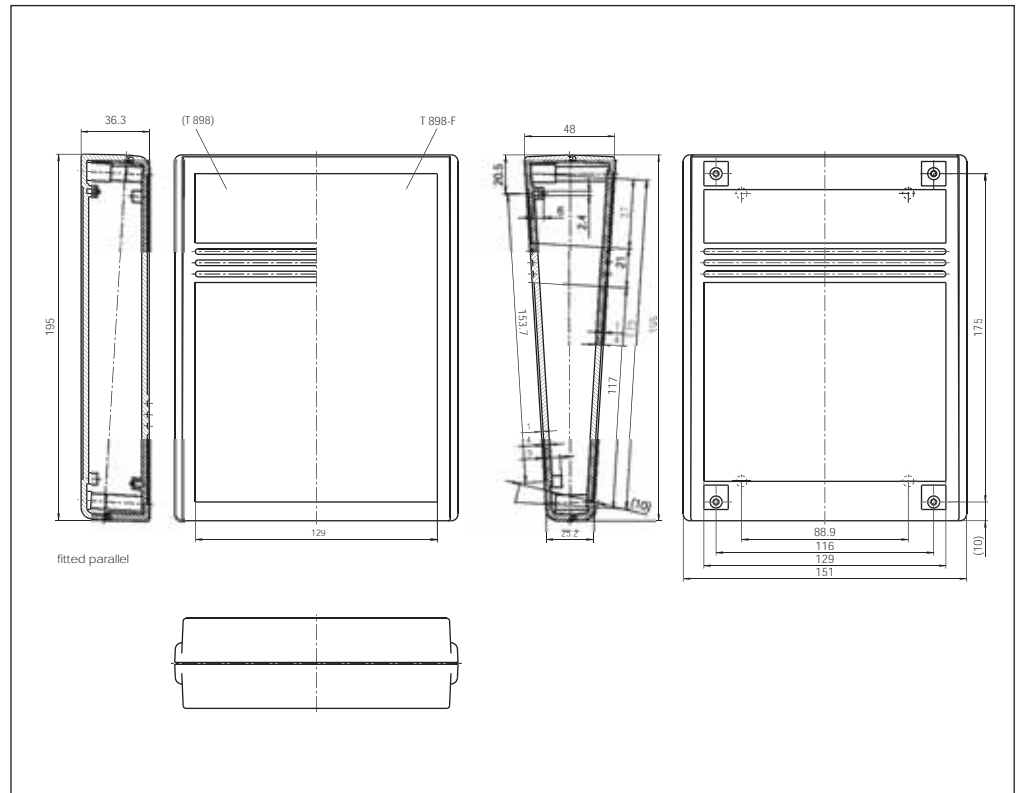
T 898 / T 898 F

External Dimensions: L195 x W151 x CH25.2 / 48 PH36.3 mm

Page 12-05

Standard Features

- **T 898/47898000** Desktop enclosure, console or parallel.
Features Split key area, recessed 1mm deep. Top portion suitable for display applications. Base includes mounting bosses for Euro cards. Includes lid, base, assembly screws and 4 rubber feet. IP 40 (IP 54 models available on request).
- **T 898 F/47898200** Desktop enclosure, console or parallel.
Features continuous keypad area, recessed 1mm deep. Base includes mounting bosses for Euro cards. Includes lid, base, assembly screws and 4 rubber feet. IP 40 (IP 54 models available on request).



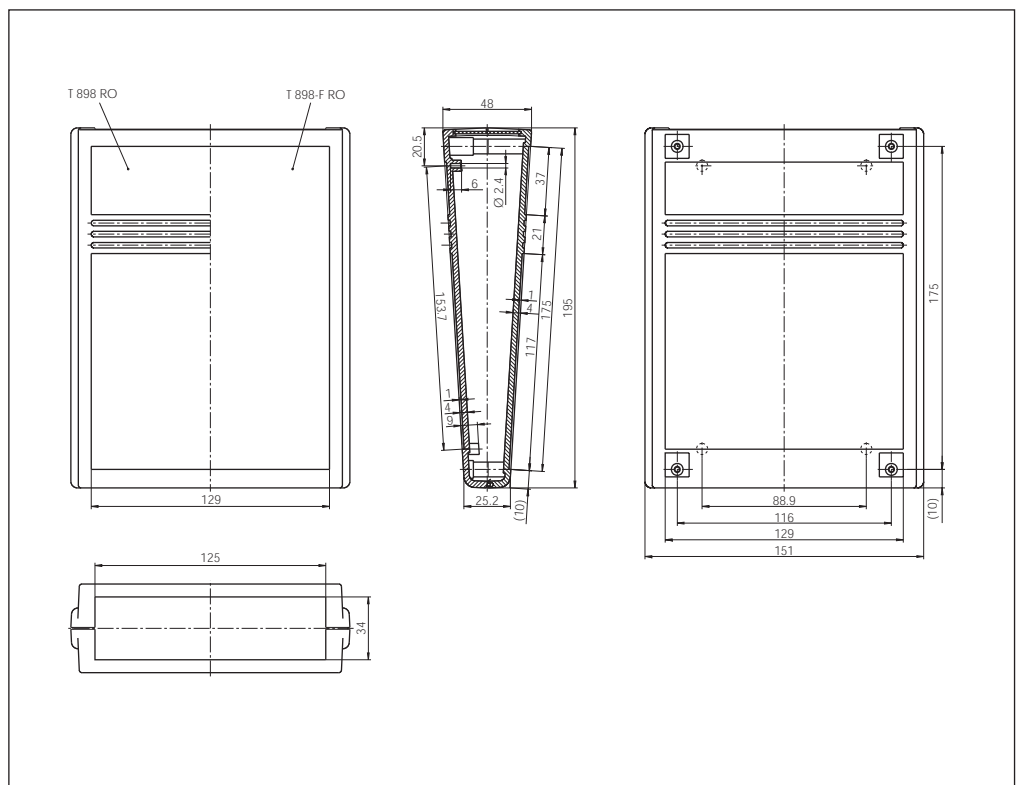
T 898 RO / T 898 F-RO

External Dimensions: L195 x W151 x CH25.2 / 49 mm

Page 12-05

Standard Features

- **T 898 RO/47898100** Desktop enclosure, console or parallel.
Features split key area (top portion suitable for display applications) recessed 1mm deep, and rear wall open. Base includes mounting bosses for Euro cards. Includes lid, base, assembly screws, 4 rubber feet and plug-in anodized aluminum rear panel, 1mm thick. IP 40.
- **T 898 F-RO/47898300** Desktop enclosure, console or parallel.
Features continuous membrane keypad area, recessed 1mm deep, and rear wall open. Base includes mounting bosses for Euro cards. Includes lid, base, assembly screws, 4 rubber feet and plug-in anodized aluminum rear panel, 1mm thick. IP 40.



Dimensional Drawings

Keyboard & Sloped Housings

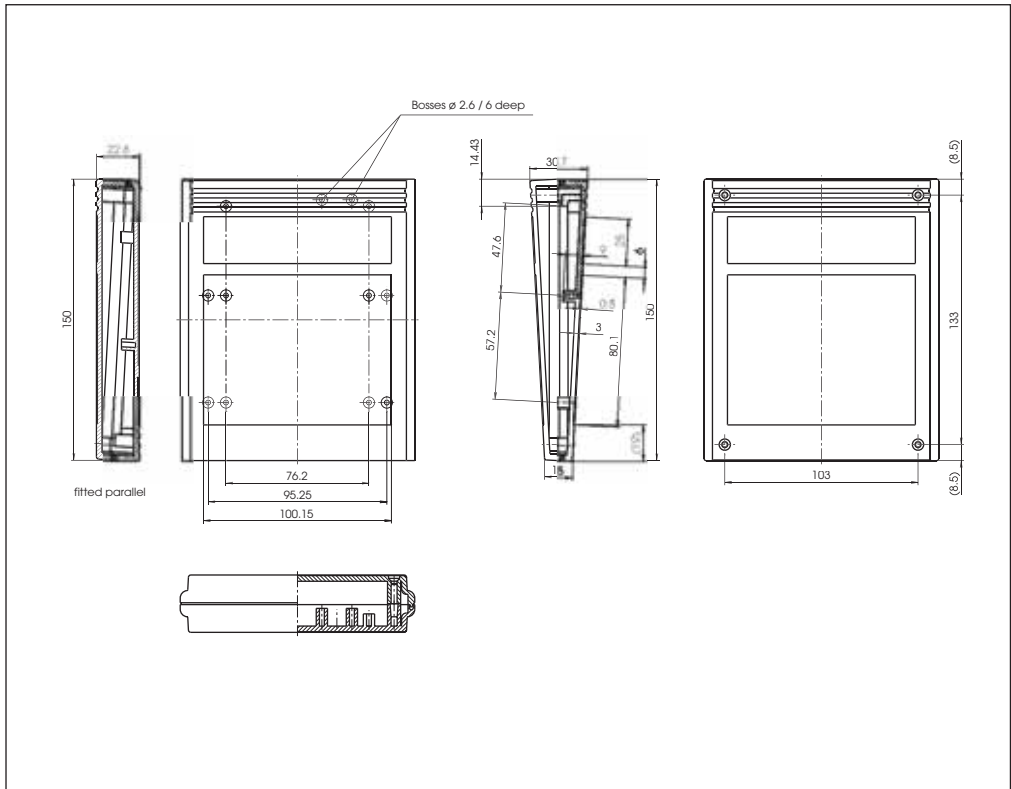
T 899

External Dimensions: L125 x W150 x CH15/30.7 / PH22.8 mm

Page 12-05

Standard Features

- **T 899/47899001** Desktop enclosure, console or parallel.
Features recessed split keypad area. Displays are possible. Includes lid, base, 4 rubber feet, and assembly screws. IP 54.



T 890 / T 893

External Dimensions: L300 / 500 x W225 x CH17 / 48.5 mm

Page 12-05

Standard Features

- **T 890/47890001** Console keypad enclosure.
Features built-in wrist rest. Satisfies ergonomic guidelines. Includes ABS lid, sheet steel base, 4 rubber feet, and assembly screws. IP 40.
L300 x W225 x Console H17/48.5mm
- **T 893/47893001** Console keypad enclosure.
Features built-in wrist rest. Satisfies ergonomic guidelines. Includes ABS lid, sheet steel base, 4 rubber feet, and assembly screws. IP 40.
L500 x W225 x Console H17/48.5mm

