

Mini Console Housings

Sloped Housing System



For Finishing Services, Product Support, or to Order

Call 1-301-696-9800

Mini Console Housings



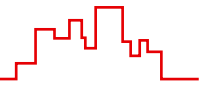
This Ultramas design console enclosure system offers you four different sizes, each with an open or closed console surface.

By using the aluminium front panels which are available as accessories for the open design, the console area can quickly and cheaply be adapted to meet your requirements.

The enclosure is supplied as standard with a front panel seal to keep liquids out. The closed, recessed console surface is designed for the flush-fitting of membrane keypad areas, which we will gladly design to your specifications and also fit if required.

Mounting bosses for self-tapping screws to match Euro card dimensions are provided in the enclosure bases. The mounting bosses with M3 threads on the inside of the lid allow the fitting of PCBs parallel to the operating front, for example for short-stroke push-buttons or LCD displays.

Mini Console Housings in combination with wall brackets (available as accessories) are ideal for wall fitting of display, control or access equipment.



Enclosure material:ABS.

For technical data see pages 646-650.

Colour:

Light grey, similar to RAL 7035; screw covers and wall brackets agate grey, similar to RAL 7038; special colours on request, minimum order quantities 500+.

Ingress protection: IP 40/DIN EN 60529

Scope of delivery:

Lid and base,
4 screw covers,
4 rubber feet,
4 screws (front panels not included in scope of delivery).

Accessories (additional charge):

FPP: Front panel for console surface, aluminium anodized 2 mm, fixing by welded-on headless pins from inside

FP: Rear panel, aluminium anodized 2 mm, plug-in

FPK: Rear panel, plastic ABS, light grey, similar to RAL 7035, 2 mm; embossed on one side, plug-in

UM-WLH: Wall brackets for tall bases UMP..018 (set = 4 pieces)

UM-WLN: Wall brackets for low bases UMP..014 (set = 4 pieces)



Mini Console Housings



UMP 32014

- Console surface closed.
- Membrane area 124.2 x 168.1 mm with recess 1 mm deeper.
- Pressed-in threaded inserts M3 on the inside of the console area for fitting a mounting plate parallel to the operating front.
- Rear open for accommodating a 2 mm plug-in rear wall panel (please order separately).



UMP 32014 FP with FPP 32000

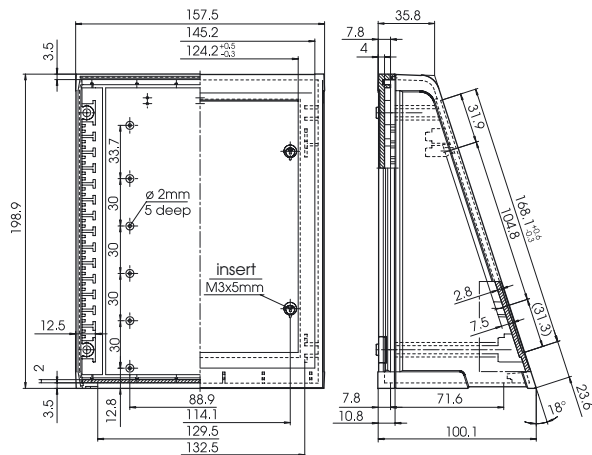
- Console surface open; the cut-out area is fitted with a wraparound seal (please order front panel separately).
- Pressed-in threaded inserts M3 on the inside of the console area for fitting a mounting plate parallel to the operating front.
- Rear open for accommodating a 2 mm plug-in rear wall panel (please order separately).

Operating surface closed

Order designation		External dimensions in mm		
Model	Order no.	W	D	H (rear)
UMP 32014	45320140	157.5	199	100

Accessories (additional charge)

Model	Order no.	Type	Dimensions
FP 30014	56031400	Rear wall, aluminium	149 x 81.7
FPK 30014	56031410	Rear wall, plastic	149 x 81.7



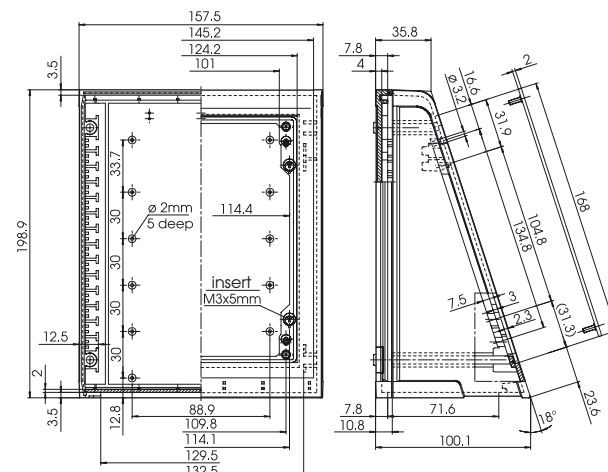
Z-2800463

Operating surface open – for aluminium front panel –

Order designation		External dimensions in mm		
Model	Order no.	W	D	H (rear)
UMP 32014 FP	45320145	157.5	199	100

Accessories (additional charge)

Model	Order no.	Type	Dimensions
FPP 32000	29320180	For console area, alum.	168 x 124.0
FP 30014	56031400	Rear wall, aluminium	149 x 81.7
FPK 30014	56031410	Rear wall, plastic	149 x 81.7



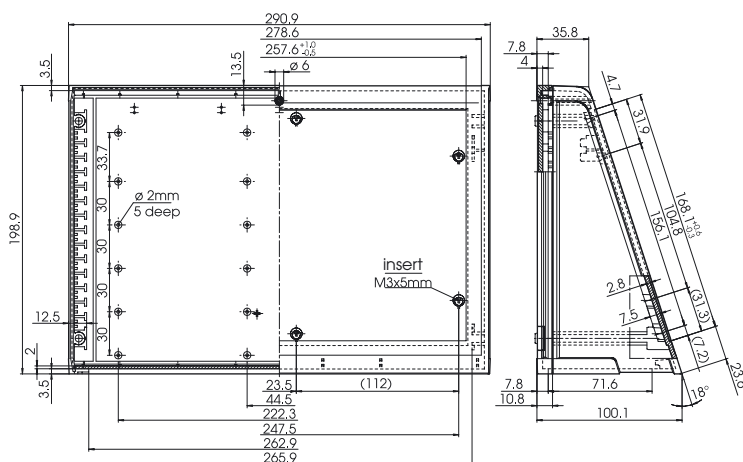
Z-2800465

Operating surface closed

Order designation		External dimensions in mm		
Model	Order no.	W	D	H (rear)
UMP 62014	45620140	290.9	199	100

Accessories (additional charge)

Model	Order no.	Type	Dimensions
FP 60014	56061400	Rear wall, aluminium	282.3 x 81.7
FPK 60014	56061410	Rear wall, plastic	282.3 x 81.7



Z-2800464



UMP 62014

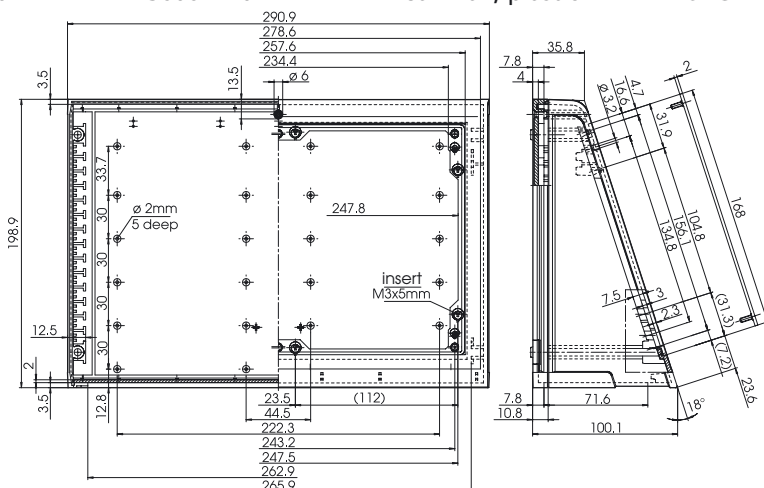
- Console surface closed.
- Membrane area 257.6 x 168.1 mm with recess 1 mm deeper.
- Pressed-in threaded inserts M3 on the inside of the console area for fitting a mounting plate parallel to the operating front.
- Rear open for accommodating a 2 mm plug-in rear wall panel (please order separately).

Operating surface open – for aluminium front panel –

Order designation		External dimensions in mm		
Model	Order no.	W	D	H (rear)
UMP 62014 FP	45620145	290.9	199	100

Accessories (additional charge)

Model	Order no.	Type	Dimensions
FPP 62000	29620180	For console area, alum.	168.0 x 257.3
FP 60014	56061400	Rear wall, aluminium	282.3 x 81.7
FPK 60014	56061410	Rear wall, plastic	282.3 x 81.7



Z-2800466



UMP 62014 FP with FPP 62000

- Console surface open; the cut-out area is fitted with a wraparound seal (please order front panel separately).
- Pressed-in threaded inserts M3 on the inside of the console area for fitting a mounting plate parallel to the operating front.
- Rear open for accommodating a 2 mm plug-in rear wall panel (please order separately).



Mini Console Housings



UMP 32018

- Console surface closed.
- Membrane area 124.2 x 168.1 mm with recess 1 mm deeper.
- Pressed-in threaded inserts M3 on the inside of the console area for fitting a mounting plate parallel to the operating front.
- Rear open for accommodating a 2 mm plug-in rear wall panel (please order separately).



UMP 32018 FP with FPP 32000

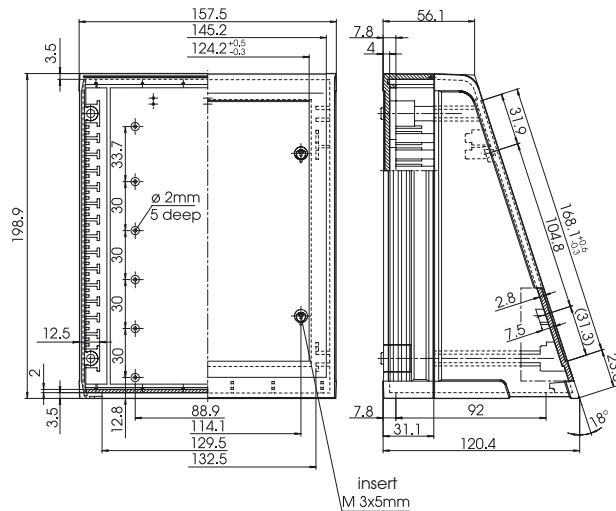
- Console surface open; the cut-out area is fitted with a wraparound seal (please order front panel separately).
- Pressed-in threaded inserts M3 on the inside of the console area for fitting a mounting plate parallel to the operating front.
- Rear open for accommodating a 2 mm plug-in rear wall panel (please order separately).

Operating surface closed

Order designation		External dimensions in mm		
Model	Order no.	W	D	H (rear)
UMP 32018	45320180	157.5	199	120

Accessories (additional charge)

Model	Order no.	Type	Dimensions
FP 30018	56031800	Rear wall, aluminium	149 x 102
FPK 30018	56031810	Rear wall, plastic	149 x 102



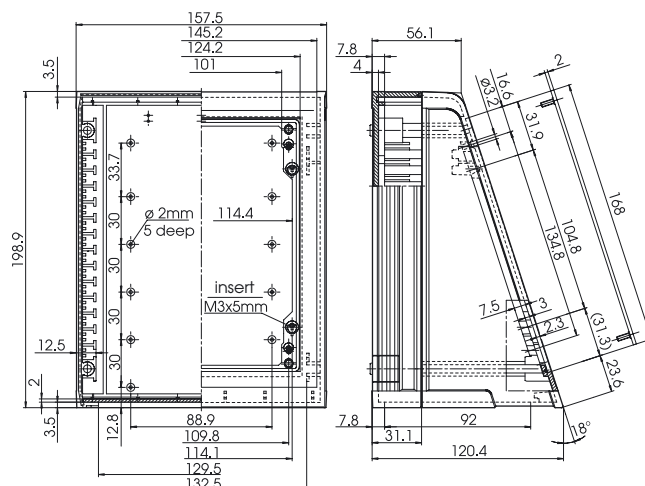
Z-2800358

Operating surface open – for aluminium front panel –

Order designation		External dimensions in mm		
Model	Order no.	W	D	H (rear)
UMP 32018 FP	45320185	157.5	199	120

Accessories (additional charge)

Model	Order no.	Type	Dimensions
FPP 32000	29320180	For console area, alum.	168 x 124
FP 30018	56031800	Rear wall, aluminium	149 x 102
FPK 30018	56031810	Rear wall, plastic	149 x 102



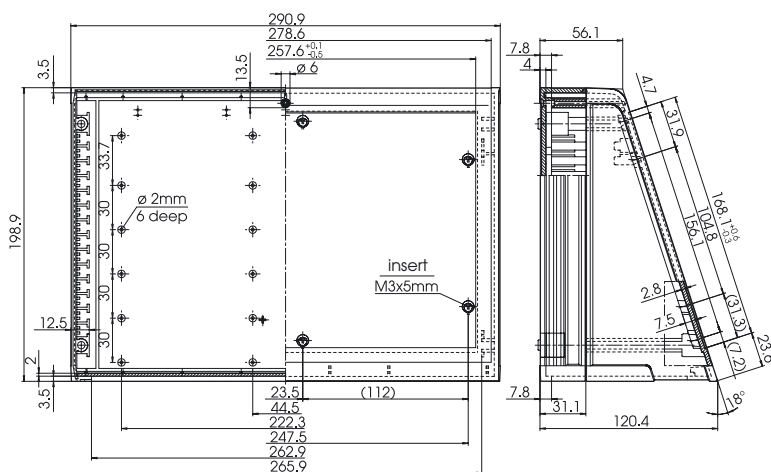
Z-2800360

Operating surface closed

Order designation		External dimensions in mm		
Model	Order no.	W	D	H (rear)
UMP 62018	45620180	290.9	199	120

Accessories (additional charge)

Model	Order no.	Type	Dimensions
FP 60018	56061800	Rear wall, aluminium	282.3 x 102
FPK 60018	56061810	Rear wall, plastic	282.3 x 102



Z-2800359



UMP 62018

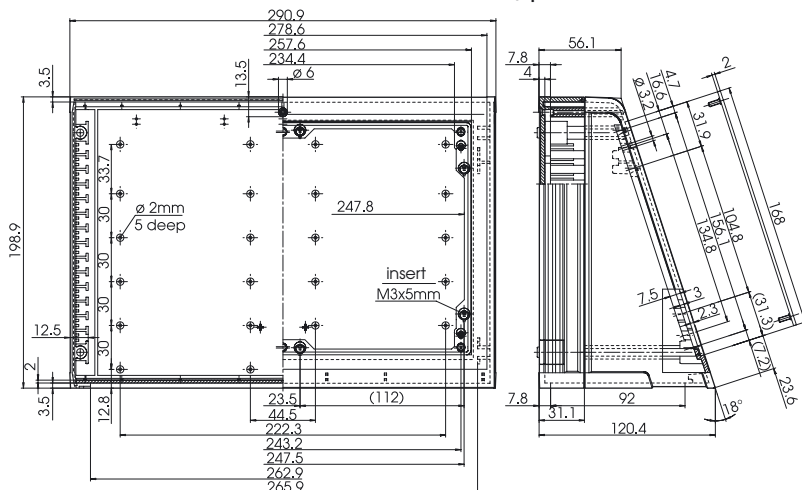
- Console surface closed.
- Membrane area 257.6 x 168.1 mm with recess 1 mm deeper.
- Pressed-in threaded inserts M3 on the inside of the console area for fitting a mounting plate parallel to the operating front.
- Rear open for accommodating a 2 mm plug-in rear wall panel (please order separately).

Operating surface open – for aluminium front panel –

Order designation		External dimensions in mm		
Model	Order no.	W	D	H (rear)
UMP 62018 FP	45620185	290.9	199	120

Accessories (additional charge)

Model	Order no.	Type	Dimensions
FPP 62000	29620180	For console area, alum.	168 x 257.3
FP 60018	56061800	Rear wall, aluminium	282.3 x 102
FPK 60018	56061810	Rear wall, plastic	282.3 x 102



Z-2800361



UMP 62018 FP with FPP 62000

- Console surface open; the cut-out area is fitted with a wraparound seal (please order front panel separately).
- Pressed-in threaded inserts M3 on the inside of the console area for fitting a mounting plate parallel to the operating front.
- Rear open for accommodating a 2 mm plug-in rear wall panel (please order separately).



Mini Console Housings Accessories



Wall brackets UM-WLH
 By using wall brackets, the UMP enclosures can be fitted to the wall. Wall brackets UM-WLH are suitable for fitting to high half-shells (side height 31.1 mm). Fitting is by side insertion and screwing of the intermediate piece. This does not affect enclosure screwing.

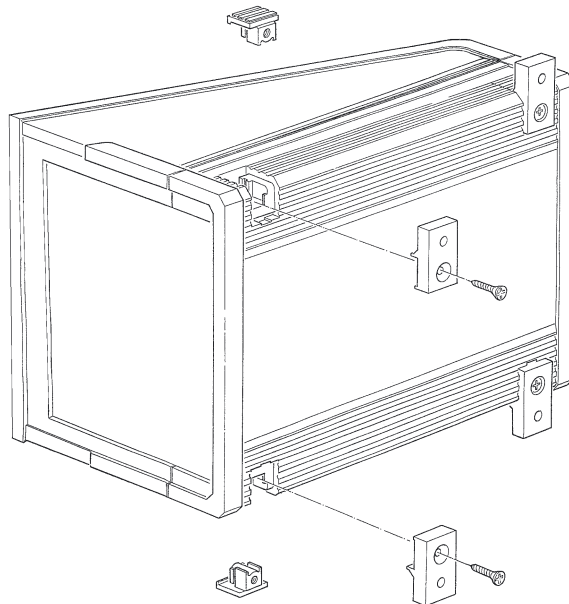


Wall brackets UM-WLN
 By using wall brackets, the UMP enclosures can be fitted to the wall. Wall brackets UM-WLN are suitable for fitting to low half-shells (side height 10.8 mm). Fitting is by screwing the brackets into the enclosure screwing points.

Wall brackets UM-WLH

Order designation

Model	Order no.	Description
UM-WLH	56002000	for UMP 32018 / 62018 only



Wall brackets UM-WLN

Order designation

Model	Order no.	Description
UM-WLN	56002100	for UMP 32014 / 62014 only

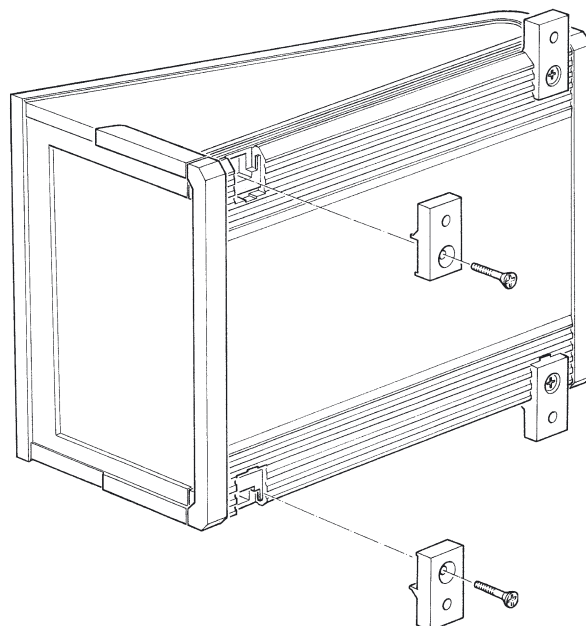
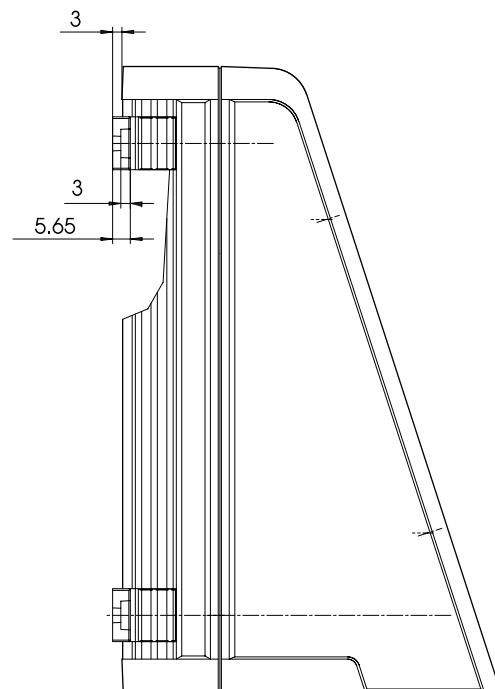
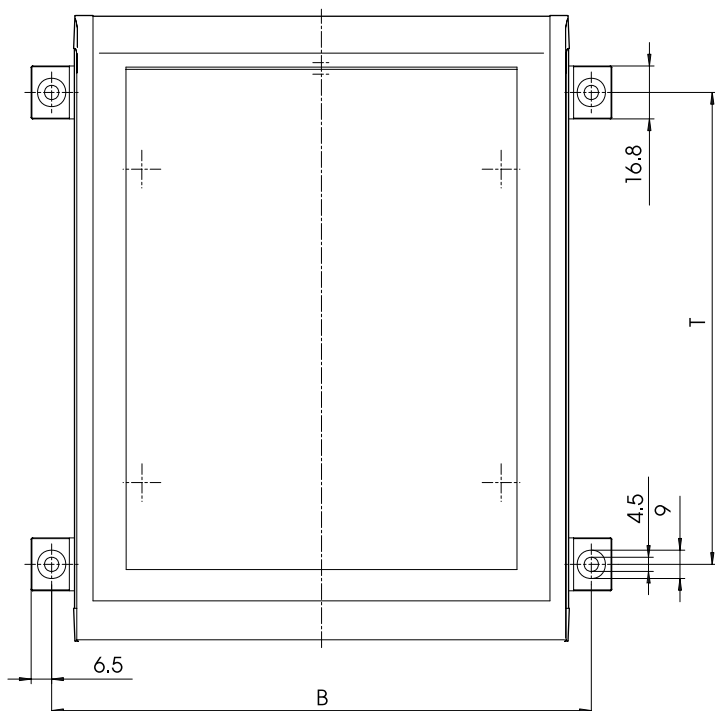


Table of dimensions

Enclosures	W	D
320...	171.50	150
620...	304.85	150

UM-WLH

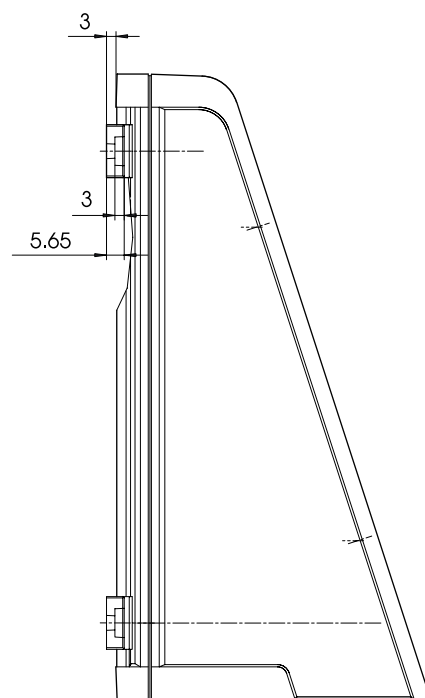
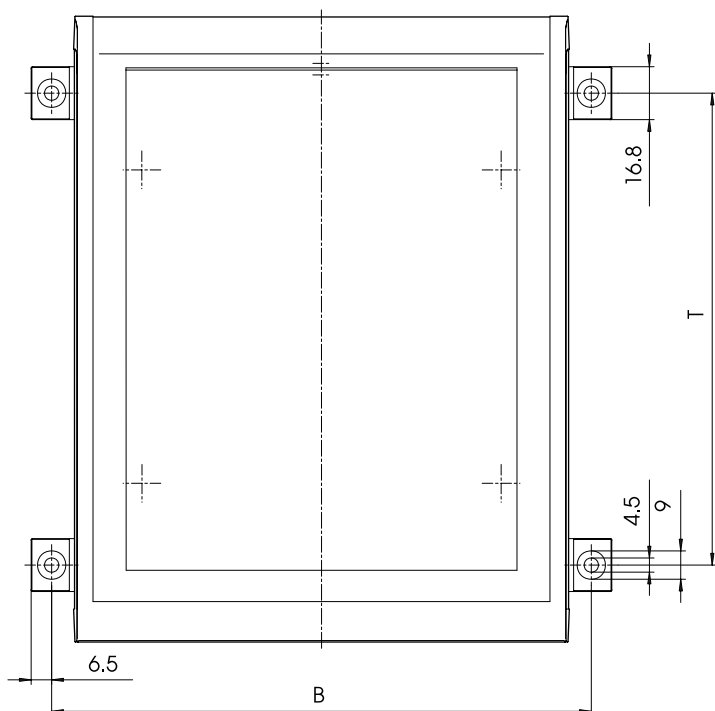


Z-2801096

Table of dimensions

Enclosures	W	D
320...	171.50	150
620...	304.85	150

UM-WLN



Z-2801097