



ROSE+BOPLA
ENCLOSURES

A PHOENIX MECANO COMPANY

Mini Console Housings Product Drawings Last Updated 7/7/2008

Rose+Bopla Enclosures
7330 Executive Way
Frederick, MD 21704
301-696-9800
www.rose-bopla.com
rbinfo@pm-usa.com

Dimensional Drawings

For Secondary Services, Product Support, or To Order, Call 1-301-696-9800



This sleek console style enclosure system offers you two basic sizes in two different heights, each with an opened or closed console surface and an open rear section that will accept a

Mini Console Housings

2mm thick slide-in panel. Panels are available in anodized aluminum or light gray ABS plastic.

By using the aluminum front panels, which are available as accessories for the open design, the console area can quickly be adapted to meet your requirements.

The enclosure is supplied standard with a front panel seal to keep liquids out. The closed, recessed console surface is designed for flush-fitting membrane keypads.

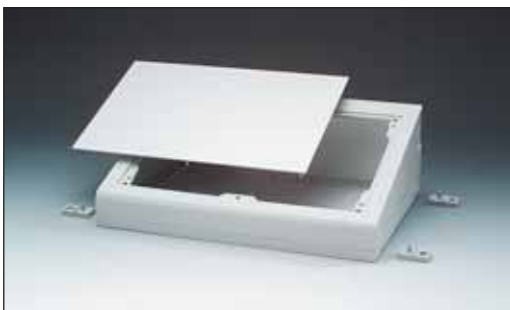
Mounting bosses for self-tapping screws to match Euro card dimensions are provided in the enclosure bases. Mounting bosses with M3 threads on the inside of the lid make it easy to attach PC boards parallel to the operating front, for example short-stroke push-buttons or LCD displays.

In combination with wall brackets, available as accessories, these enclosures are ideal for wall-mounted display, control or access equipment.

The Mini Console Housing includes an enclosure base, lid, screw covers, rubber feet, and hardware assembly pack.

TECHNICAL DATA:

- Color: light gray, similar to RAL 7035. Screw covers and wall brackets, agate gray, similar to RAL 7038. Special colors on request. Minimum order of 500+ pieces applies.
- Material: ABS plastic
- Ingress Protection: IP 40/DIN VDE 0470
- Surface resistance: $>10^{14}$ Ohm to DIN 53482
- Flammability: UL 94 HB/1.6
- Disruptive strength: 17KV/mm to DIN 53481



◀ Mini Console Housing showing wall brackets and console panel.

Mini Console Housings

Model Number	Part Number	Length (Inches/mm)	Width (Inches/mm)	Height (Inches/mm)	Weight LBS.	Drawing Page #
UMP 32014	45320140	6.18 / 157	7.83 / 199	3.94 / 100-R	.80	17-272
				1.42 / 36-F		
UMP 32014 FP	45320145	6.18 / 157	7.83 / 199	3.94 / 100-R	.70	17-272
				1.42 / 36-F		
UMP 62014	45620140	11.46 / 291	7.83 / 199	3.94 / 100-R	1.25	17-273
				1.42 / 36-F		
UMP 62014 FP	45620145	11.46 / 291	7.83 / 199	3.94 / 100-R	1.15	17-273
				1.42 / 36-F		
UMP 32018	45320180	6.18 / 157	7.83 / 199	4.72 / 120-R	.90	17-274
				2.20 / 56-F		
UMP 32018 FP	45320185	6.18 / 157	7.83 / 199	4.72 / 120-R	.80	17-274
				2.20 / 56-F		
UMP 62018	45620180	11.46 / 291	7.83 / 199	4.72 / 120-R	1.35	17-275
				2.20 / 56-F		
UMP 62018 FP	45620185	11.46 / 291	7.83 / 199	4.72 / 120-R	1.25	17-275
				2.20 / 56-F		

FP=Open front section for 2mm aluminum panel. Must be ordered separately.

R=rear F=front

Accessories shown on drawing page.

Note: Dimensions are external. Metric is the primary dimension.

Inch conversions are for the user's convenience and are for reference only.

Keyboard & Sloped Housings

UMP 32018 / 32018 FP

External Dimensions: W157.5 x D199 x RH120 mm

Page 12-02

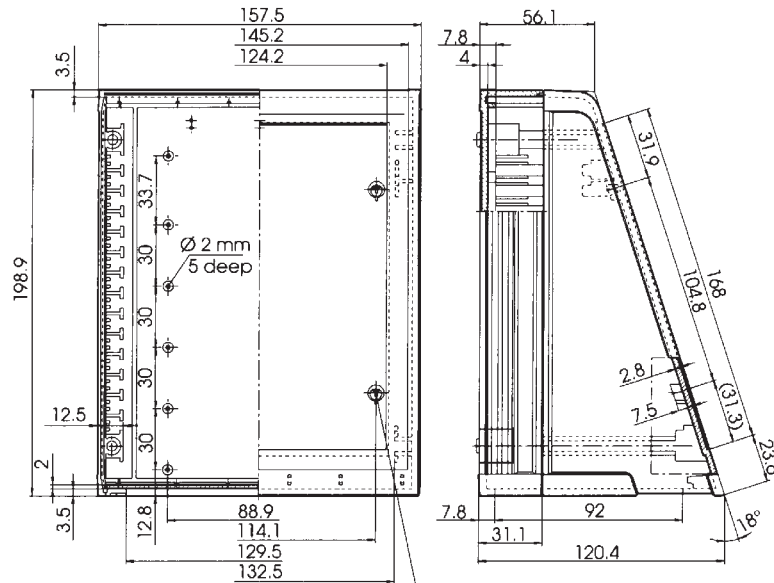
Standard Features

- UMP 32018/45320180 Console, surface closed, recessed 1mm. Rear open for 2mm plug-in rear wall panel. Includes: Lid, base, 4 screw covers, 4 rubber feet and 4 screws.
- UMP 32018 FP/45320185 Console, surface open for aluminum front panel. The cut-out area is fitted with a wrap around seal. Rear open for 2mm plug-in rear wall panel. Includes: Lid, base, 4 screw covers, 4 rubber feet and 4 screws.

Accessories

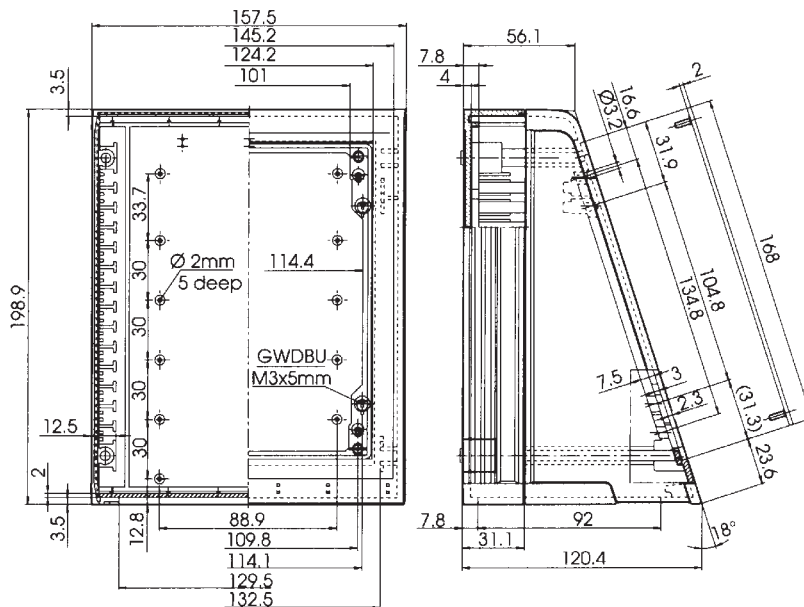
- FP 30018/56031800 Rear panel, aluminum, L 5.87" / 149mm x W 4.02" / 102mm.
- FPK 30018/56031810 Rear panel, plastic, L 5.87" / 149mm x W 4.02" / 102mm.
- FPP 32000/29*320180 Aluminum front panel for console area on UMP 32018 FP. L 6.61" / 168mm x W 4.88" / 124mm.
- UM 1230 WLH/56002000 Wall bracket for UMP 32018 only.

UMP 32018



GWDBU
••• M3 x 5mm

UMP 32018 FP





UMP 62018 / 62018 FP

External Dimensions: W 290.9 x D 199 x RH 180 mm

Page 12-02

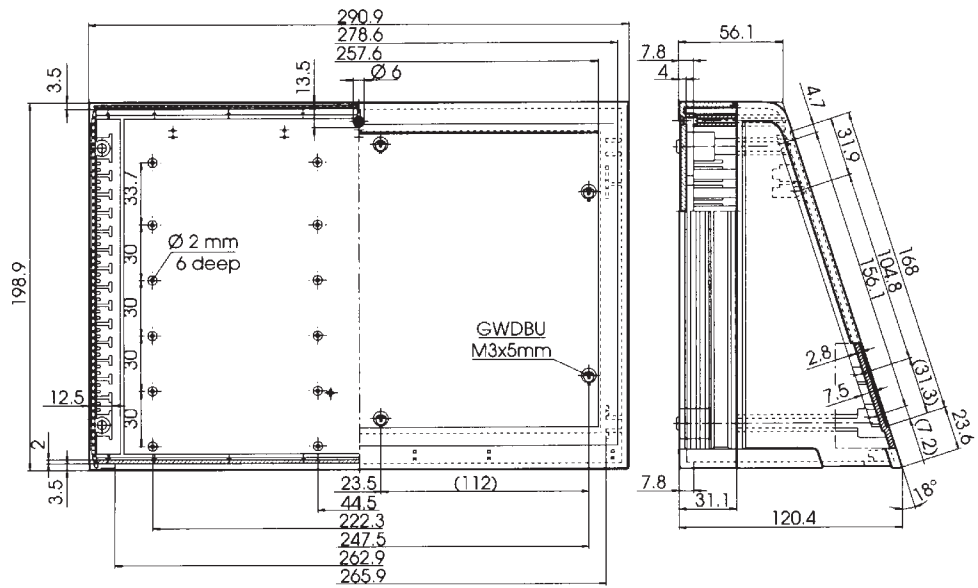
Standard Features

- **UMP 62018/45620180** Console, surface closed, recessed 1mm.
Rear open for 2mm plug-in rear wall panel. Includes: Lid, base, 4 screw covers, 4 rubber feet and 4 screws.
- **UMP 62018 FP/45620185** Console, surface open for aluminum front panel. The cut-out area is fitted with a wrap around seal. Rear open for 2mm plug-in rear wall panel. Includes: Lid, base, 4 screw covers, 4 rubber feet and 4 screws.

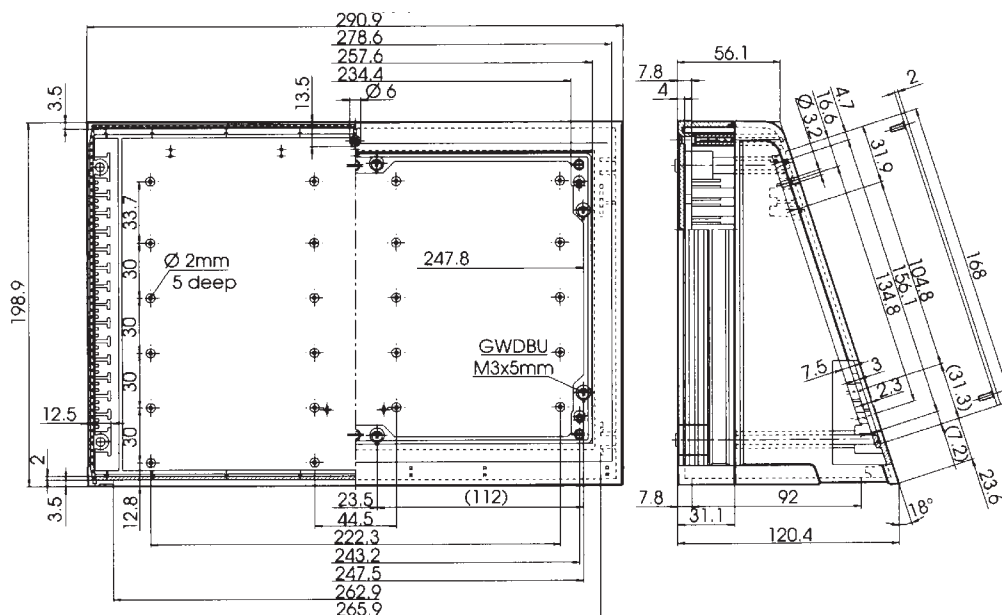
Accessories

- **FP 60018/56061800** Rear panel, aluminum, L 11.10" / 282mm x W 4.02" / 102mm.
- **FPK 60018/56061810** Rear panel, plastic, L 11.10" / 282mm x W 4.02" / 102mm.
- **FPP 62000/29620180** Aluminum front panel for console area on UMP 62018 FP. L 6.61" / 168mm x W 10.13" / 257.3mm.
- **UM 1230 WLH/26002000** Wall bracket for UMP 62018 only.

UMP 62018



UMP 62018 FP



Dimensional Drawings

Keyboard & Sloped Housings

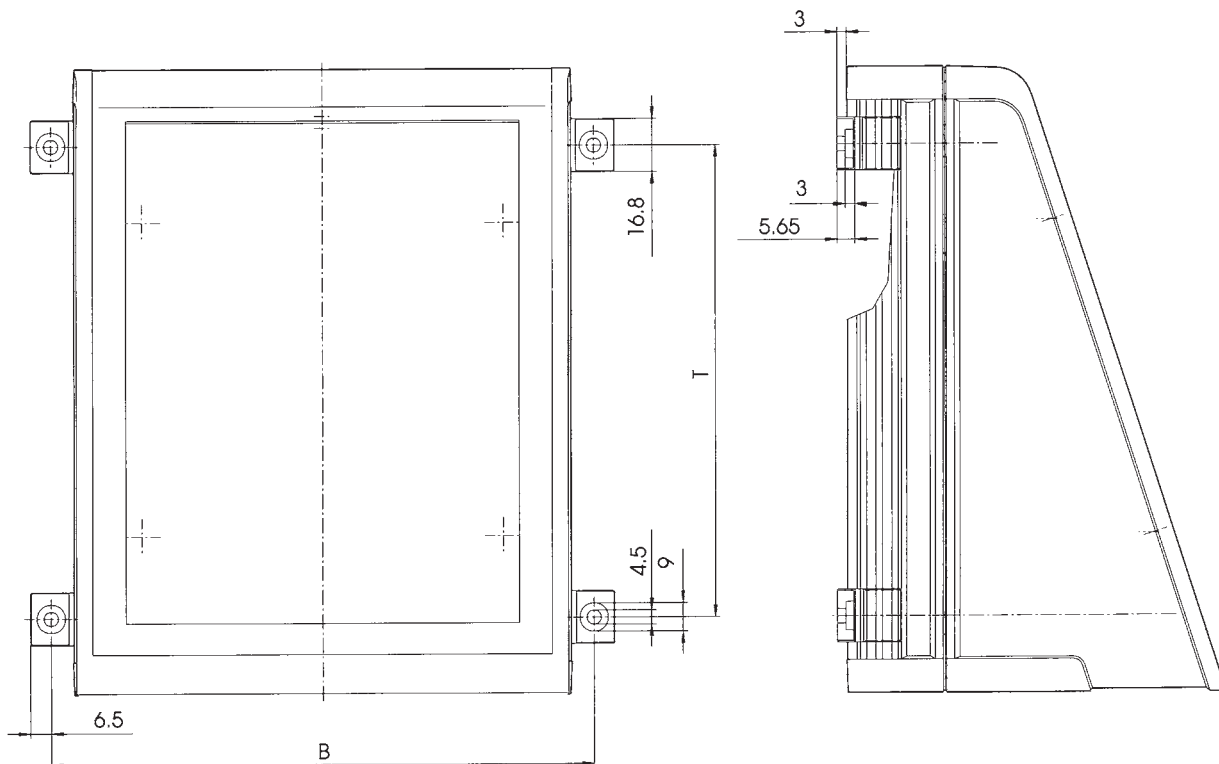
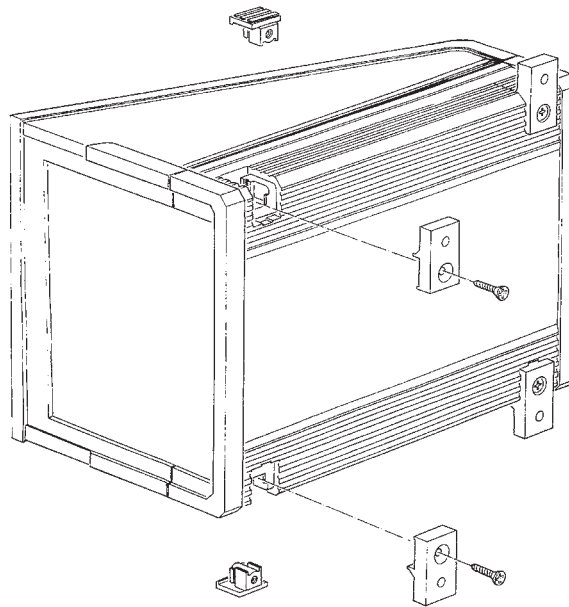
UM-WLH

Standard Features

• **UM 1230 WLH/56002000** Wall Brackets for 32018 / 62018 only. UM-WLH brackets are suitable for attaching to high half-shells with a side height of 31.1mm. Mounting is by side insertion and screwing of the intermediate piece. This does not affect enclosure assembly.

Table of Dimensions:

Enclosure	T	B
32018	171.50	150
62018	304.85	150





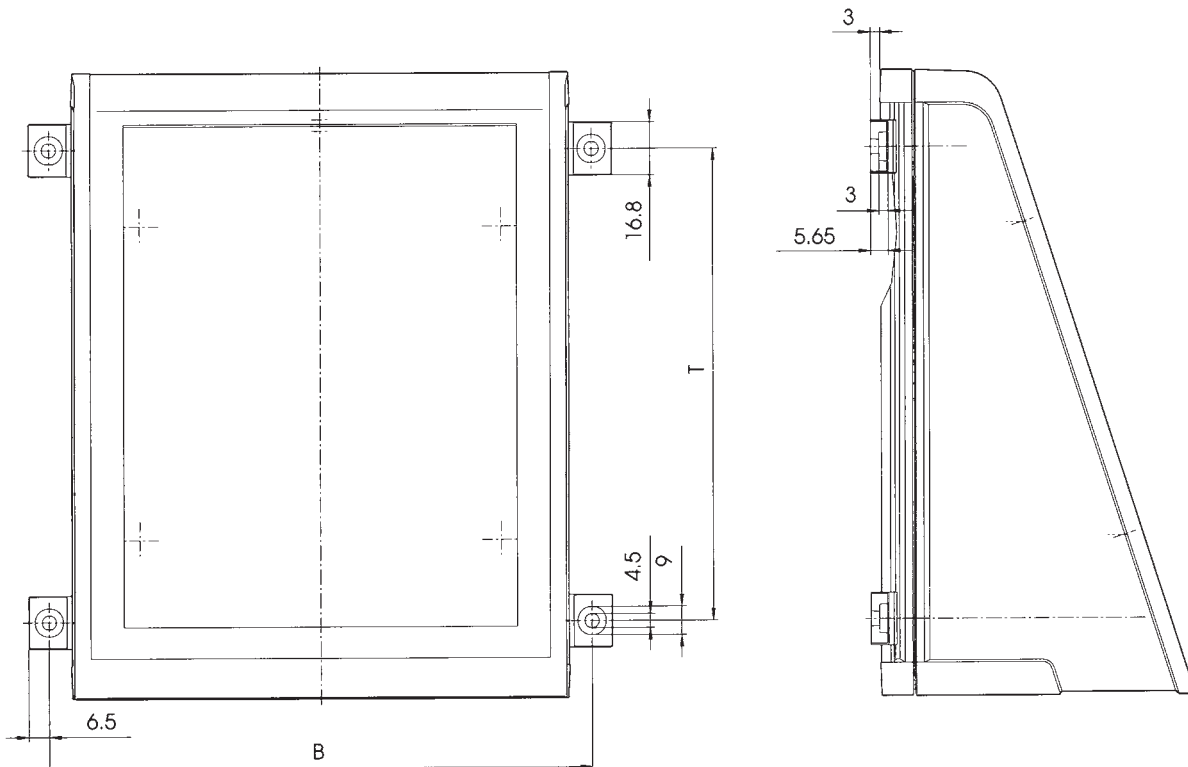
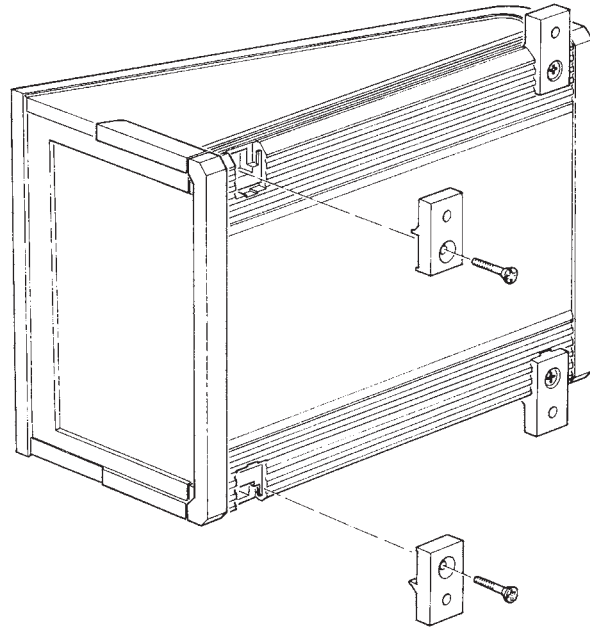
UM-WHN

Standard Features

• **UM 1230 WLN/56002100** Wall Brackets for 32014 / 62014 only. UM-WLN brackets are suitable for attaching to low half-shells with a side height of 10.8 mm. Mounting is by screwing brackets into the enclosure screwing points.

Table of Dimensions:

Enclosure	T	B
32014	171.50	150
62014	304.85	150



Dimensional Drawings