

SE Plug Housings

Plug Enclosure System



For Finishing Services, Product Support, or to Order

Call 1-301-696-9800

SE Plug Housings



SE – the functional, low-cost plug or socket enclosure system. **Eight basic dimensions** are available. This enclosure programme comprises six country-specific plugs and four different sockets.

Because of their compactness and the integrated cable inlets, the enclosures in the SE 510/520 series are especially suitable for use as transformer mains power units.

Enclosure material: Series SE 4...:
PC/ABS blend,
flame-resistant.
Series SE 5...:
flame-resistant
polyamide PA6.6 FR;
for technical data
see pages 646-650.

Colour: Series SE 4...:
lid light grey, simi-
lar to RAL 7035;
base graphite grey,
similar to RAL 7024.
Series SE 5...:
black, similar
to RAL 9005;
special colours on
request.

Ingress protection:
IP 40/DIN EN 60529
IP 30 (enclosures with ventilation)

Scope of delivery:
Lid and base, fixing screws, including
connector pins/socket inserts depend-
ing on type.

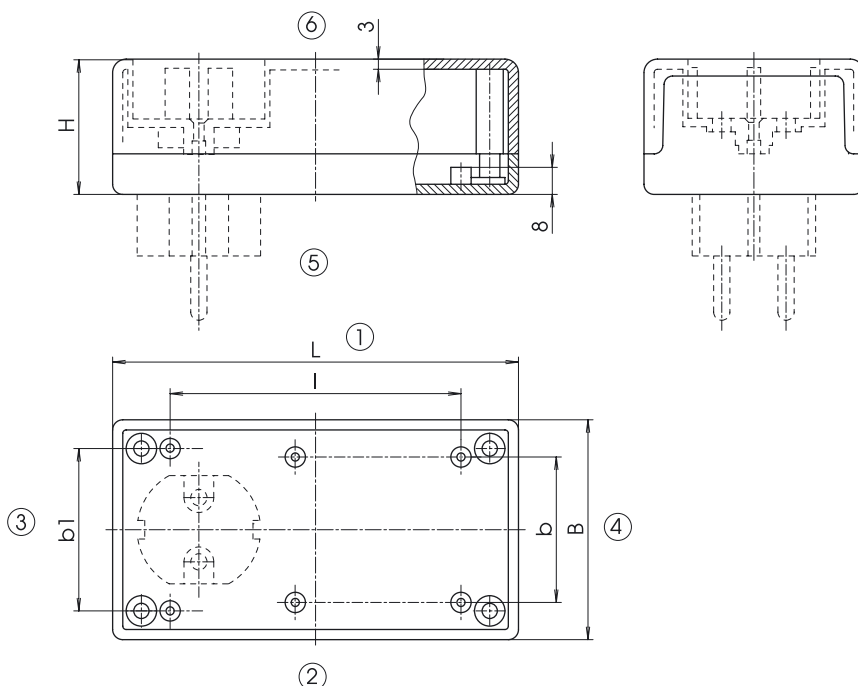
Note:
Series SE 5...:
Tested to VDE 0624/IEC 884.
Minimum order quantities 500+.

Plug enclosures

Model	EU	E/CEE SEV	E-US	L	W	H	I	b	b1
SE 406...	-	X	-	65.0	50.0	30.0	32.0	33.0	33.0
SE 408...	-	X	-	65.0	50.0	45.0	32.0	33.0	33.0
SE 410...	-	X	X	100.0	50.0	25.0	66.0	28.0	33.0
SE 420...	X	X	X	100.0	50.0	40.0	66.0	28.0	33.0
SE 430...	-	X	X	120.0	65.0	40.0	86.0	43.0	47.5
SE 435...	-	X	X	120.0	65.0	66.0	86.0	43.0	47.5

Plug enclosures with socket

Model	E	E/CEE SEV	L	W	H	I	b	b1
SE 432 DE	X	X	120.0	65.0	50.0	86.0	43.0	47.5
SE 435 DE	X	X	120.0	65.0	66.0	86.0	43.0	47.5



SE Plug Housings



SE 420 EU



SE 430 E/CEE



Plug enclosure SEV

Plug enclosure with Euro plug

Order designation		External dimensions			Internal dimensions		
Model	Order no.	L	W	H	L	W	H
SE 420 EU	43420204	100	50	40	94	44	34

EU = Euro plug, DIN VDE 0620 part 101

Plug enclosures with German/French plug

Order designation		External dimensions			Internal dimensions		
Model	Order no.	L	W	H	L	W	H
SE 406 E/CEE*	43406204	65	50	30	59	44	24
SE 408 E/CEE*	43408504	65	50	45	59	44	39
SE 410 E/CEE*	43410104	100	50	25	94	44	19
SE 420 E/CEE	43420104	100	50	40	94	44	34
SE 430 E/CEE	43430004	120	65	40	114	59	34
SE 435 E/CEE	43435004	120	65	66	114	59	60

E/CEE = plug with earthing, DIN 49441 R2

* = available on request

Plug enclosures with Swiss plug

Order designation		External dimensions			Internal dimensions		
Model	Order no.	L	W	H	L	W	H
SE 430 SEV*	43430604	120	65	40	114	59	34
SE 435 SEV*	43435604	120	65	66	114	59	60

SEV = Swiss version, with earthing

SEV-1011 type 12, min. order quantities 500+

* = available on request

Plug enclosures with American plug

Order designation		External dimensions			Internal dimensions		
Model	Order no.	L	W	H	L	W	H
SE 410 E/US*	43410404	100	50	25	94	44	19
SE 420 E/US*	43420224	100	50	40	94	44	34
SE 430 E/US*	43430104	120	65	40	114	59	34
SE 435 E/US*	43435204	120	65	66	114	59	60

E-US = US version, with earthing

UL 498 or ANSI St. A 5-15, minimum order quantities 500+

* = available on request

Plug enclosures with appropriate socket

Order designation		External dimensions			Internal dimensions		
Model	Order no.	L	W	H	L	W	H
SE 432 DE	43432504	120	65	50	114	59	44
SE 432 DE CEE*	43432704	120	65	50	114	59	44
SE 432 DE SEV*	43432604	120	65	50	114	59	44
SE 435 DE	43435504	120	65	66	114	59	60
SE 435 DE CEE*	43435704	120	65	66	114	59	60

DE = German version (DIN 49440/CEE 7 111)

DE-CEE = French version (CEE 7V)

DE-SEV = Swiss version (SEV 1011 type 13), available on request

* = available on request



SE 410 E/US



SE 432 DE SEV*

SE Plug Housings



Model series SE 510
SE 510 E/CEE-L

Compact plug enclosure with integrated cable inlet for approx. cable diameter 6.5 mm. Depending on the design, this cable is automatically equipped with strain relief at the enclosure screw point.

The PCB can be clamped between the lid and base for easier fitting, and then lies above the socket.

The air gap between the PCB and the connector pins is at least 7 mm. In all cases the lids are available with 0.5 mm membrane area and, as required, with or without ventilation.



Model series SE 520
SE 520 AS-L

Plugs SE 510 ...

Order designation

Model	Order no.	Description
SE 510 EU	43510200	Euro plug DIN VDE 0620 part 101
SE 510 E/CEE	43510000	German/French plug DIN 49441 R2
SE 510 AS	43510500	Australian plug AS 3112 without earthing 7.5 A
SE 510 US	43510600	American plug US 498 ANSI ST. A 1-15 without earthing 15 A
SE 510 GB*	43510300	British plug GB-BS 1363 with earthing, 13 A fuse
SE 510 EU-L	43510210	Euro plug DIN VDE 0620 part 101, with ventilation
SE 510 E/CEE-L	43510010	German/French plug DIN 49441 R2, with ventilation
SE 510 AS-L	43510510	Australian plug AS 3112 without earthing 7.5 A, with ventilation
SE 510 US-L	43510610	American plug US 498 ANSI ST. A 1-15 without earthing 15 A, with ventilation
SE 510 GB-L*	43510310	British plug GB-BS 1363 with earthing, 13 A fuse, with ventilation

Note:

All models are available on request.

* Minimum order: 10,000 pcs

Plugs SE 520 ...

Order designation

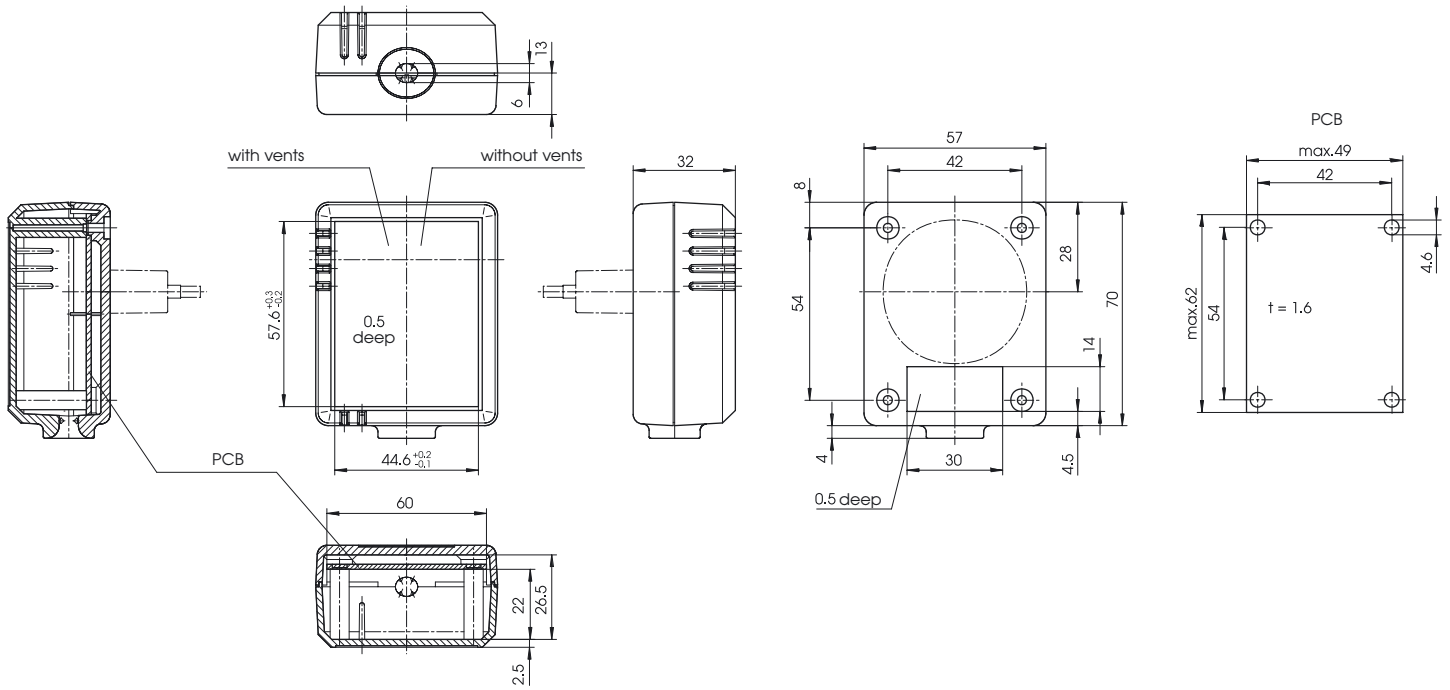
Model	Order no.	Description
SE 520 EU	43520200	Euro plug DIN VDE 0620 part 101
SE 520 E/CEE	43520000	German/French plug DIN 49441 R2
SE 520 AS	43520500	Australian plug AS 3112 without earthing 7.5 A
SE 520 US	43520600	American plug US 498 ANSI ST. A 1-15 without earthing 15 A
SE 520 GB*	43520300	British plug GB-BS 1363 with earthing, 5 A fuse
SE 520 EU-L	43520210	Euro plug DIN VDE 0620 part 101, with ventilation
SE 520 E/CEE-L	43520010	German/French plug DIN 49441 R2, with ventilation
SE 520 AS-L	43520510	Australian plug AS 3112 without earthing 7.5 A, with ventilation
SE 520 US-L	43520610	American plug US 498 ANSI ST. A 1-15 without earthing 15 A, with ventilation
SE 520 GB-L*	43520310	British plug GB-BS 1363 with earthing, 5 A fuse, with ventilation

Note:

All models are available on request.

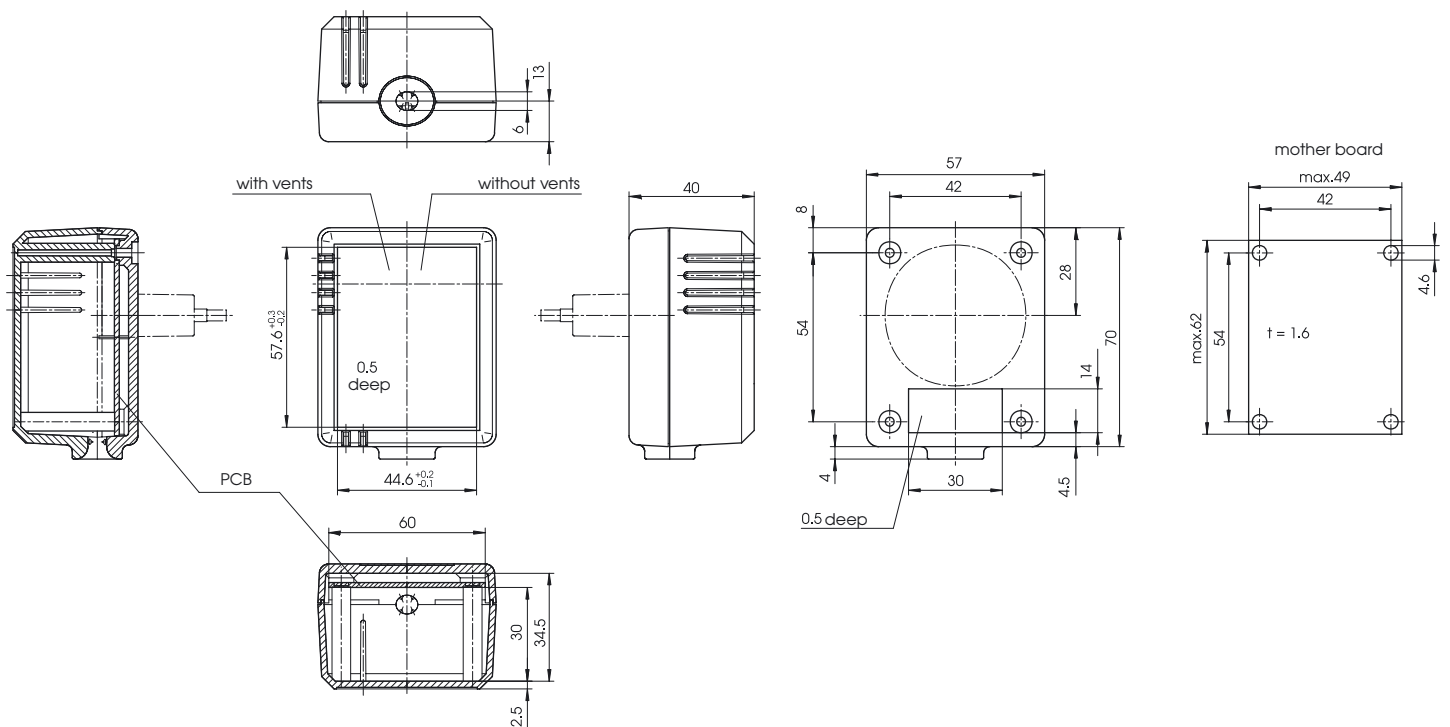
* Minimum order: 10,000 pcs

SE 510 ...



Z-2801253

SE 520 ...



Z-2801254