



**ROSE+BOPLA**  
ENCLOSURES

A PHOENIX MECANO COMPANY

# **DIN Rail Mountable Enclosures CombiNorm Classic Product Drawings Last Updated 7/9/2008**

Rose+Bopla Enclosures  
7330 Executive Way  
Frederick, MD 21704  
301-696-9800  
[www.rose-bopla.com](http://www.rose-bopla.com)  
[rbinfo@pm-usa.com](mailto:rbinfo@pm-usa.com)

*Dimensional Drawings*

*For Secondary Services, Product Support, or To Order, Call 1-301-696-9800*

# Din Rail Mountable Enclosures



## TECHNICAL DATA:

- Color: Light gray, similar to RAL 7035. Special colors on request. Minimum order quantity applies.
- Material: ABS
- Flammability: UL 94 HB/1.6
- Surface Resistance:  $>10^{14}$  Ohm to DIN 53482
- Ingress Protection: IP 40 to DIN EN 60529
- Disruptive Strength: 17 KV/mm to DIN 53481

The CombiNorm Classic is designed to house circuit boards on a DIN rail or wall mount enclosure. Each rectangular ABS enclosure is 75mm high, 109.5mm deep and available in 5 standard

## CombiNorm Classic

widths. With an array of available accessories and several front panel configurations, the CombiNorm Classic can easily be customized to your application. Integral guides on the inside of the housing are designed to hold circuit boards in a vertical or horizontal position. Openings on the top and front allow connections to internal circuits through accessory PC Board terminal blocks, available in 4 configurations. Front panels, which snap on easily and require only a flathead screwdriver to open, can be machined to accept window displays, membrane keypads, panel switches, RF connector, "D" and "Sub-D" connectors, or simply marked with numeric decals for terminal identification. If necessary, clear covers are available to prevent unintentional operation or contamination. Lead seals can be easily applied to the covers to guard against unauthorized access.

Fast snap-together assembly, combined with endless possibilities for customization, make CombiNorm a sensible and economical answer to DIN rail mounted enclosures.

CombiNorm Classic						
Model Number	Part Number	Width Inches/mm	Length Inches/mm	Height Inches/mm	Terminals	Adjustable Flap
CN 22 AK	65002210	0.88/ 22.5	4.31/109.5	2.95/75	max. 8	-
CNS 22 AK	65002230	0.88/ 22.5	4.31/109.5	2.95/75	max. 8	included
CN 45 AK	65004510	1.77/ 45.0	4.31/109.5	2.95/75	max. 16	-
CNS 45 AK	65004530	1.77/ 45.0	4.31/109.5	2.95/75	max. 16	included
CN 55 AK	65005510	2.16/ 55.0	4.31/109.5	2.95/75	max. 20	-
CNS 55 AK	65005530	2.16/ 55.0	4.31/109.5	2.95/75	max. 20	included
CN 70 AK	65007010	2.75 /70.0	4.31/109.5	2.95/75	max. 26	-
CNS 70 AK	65007030	2.75/ 70.0	4.31/109.5	2.95/75	max. 26	included
CN 100 AK	65010010	3.93/100.0	4.31/109.5	2.95/75	max. 38	-
CNS 100 AK	65010030	3.96/100.0	4.31/109.5	2.95/75	max. 38	included

Note: To comply with CSA and other regulations, we can supply the CN enclosures in high-temperature, flame-resistant material (UL 94 V0), on request. Minimum order quantity applies.

Terminals listed are UL (UL 1059), CUL (CSA 22.2 no. 158), VDE (EN 60998) approved.

Dimensions are external. Metric is the primary dimension. Inch conversions are for the user's convenience and are for reference only.

## CombiNorm Classic Components

CombiNorm Classic CN 22						
Model Number	Part Number	Description	Width Inches/mm	Length Inches/mm	Height Inches/mm	Drawing Page #
CN 22 AK	65002210	Small control enclosure for max. 8 terminals.	0.88/22.5	4.31/109.5	2.95/75	17-294
CNS 22 AK	65002230	Small control enclosure for max. 8 terminals with adjusting flap.	0.88/22.5	4.31/109.5	2.95/75	17-294

CN 22 AK includes lid, base with mounted latch

CNS 22 AK includes lid, base with mounted latch, adjusting flap

CombiNorm Classic CN 22 Enclosure Lids					
Model Number	Part Number	Description	For Enclosure Shell	Drawing Page #	
CNH 22 N	65002260	Hinged hood cover, crystal-clear, low	CN(S) 22 AK	17-294	
CNH 22 H	65002250	Hinged hood cover, crystal-clear, tall	CN(S) 22 AK	17-294	



CN 22 AK (Left), CNS 22 AK (Right)

CombiNorm Classic CN 45						
Model Number	Part Number	Description	Width Inches/mm	Length Inches/mm	Height Inches/mm	Drawing Page #
CN 45 AK	65004510	Small control enclosure for max. 16 terminals.	1.77/45	4.31/109.5	2.95/75	17-294
CNS 45 AK	65004530	Small control enclosure for max 16 terminals with adjusting flap.	1.77/45	4.31/109.5	2.95/75	17-294

CN 45 AK includes lid, base with mounted latch

CNS 45 AK includes lid, base with mounted latch, adjusting flap

CombiNorm Classic CN 45 Enclosure Lids					
Model Number	Part Number	Description	For Enclosure Shell	Drawing Page #	
CNH 45 N	65004560	Hinged hood cover, crystal-clear, low	CN(S) 45 AK	17-294	
CNH 45 H	65004550	Hinged hood cover, crystal-clear, tall	CN(S) 45 AK	17-294	



CN 45 AK (Left), CNS 45 AK (Right)

Enclosures can be latched onto the 35mm rail in accordance with DIN EN 60715 TH35.

Any terminal positions which are not needed can be closed with blind bars CNB 100.

The hinged latching hood covers CNH..N or CNH..H can be opened upwards or downwards, as required. If necessary, then can also be removed completely or sealed. When sealed, the hood covers also conceal the screws of the connection terminals (not STL 950/\_V).

# Din Rail Mountable Enclosures

## CombiNorm Classic Components



CN 55 AK (Left), CNS 55 AK (Right)

CombiNorm Classic CN 55						
Model Number	Part Number	Description	Width Inches/mm	Length Inches/mm	Height Inches/mm	Drawing Page #
CN 55 AK	65005510	Small control enclosure for max. 20 terminals	2.16/55	4.31/109.5	2.95/75	17-295
CNS 55 AK	65005530	Small control enclosure for max. 20 terminals with adjusting flap	2.16/55	4.31/109.5	2.95/75	17-295

CN 55 AK includes lid, base with mounted latch

CNS AK 55 includes lid, base with mounted latch, adjusting flap.

CombiNorm Classic CN 55 Enclosure Lids				
Model Number	Part Number	Description	For Enclosure Shell	Drawing Page #
CNH 55 N	65005560	Hinged hood cover, crystal-clear, low	CN(S) 55 AK	17-295
CNH 55 H	65005550	Hinged hood cover, crystal-clear, tall	CN(S) 55 AK	17-295



CN 70 AK (Left), CNS 70 AK (Right)

CombiNorm Classic CN 70						
Model Number	Part Number	Description	Width Inches/mm	Length Inches/mm	Height Inches/mm	Drawing Page #
CN 70 AK	65007010	Small control enclosure for max. 26 terminals	2.75/70	4.31/109.5	2.95/75	17-295
CNS 70 AK	65007030	Small control enclosure for max 26 terminals with adjusting flap	2.75/70	4.31/109.5	2.95/75	17-295

CN 70 AK includes lid, base with mounted latch

CNS 70 AK includes lid, base with mounted latch, adjusting flap.

CombiNorm Classic CN 70 Enclosure Lids				
Model Number	Part Number	Description	For Enclosure Shell	Drawing Page #
CNH 70 N	65007060	Hinged hood cover, crystal-clear, low	CN(S) 70 AK	17-295
CNH 70 H	65007050	Hinged hood cover, crystal-clear, tall	CN(S) 70 AK	17-295

These enclosures can be latched onto the 35mm rail in accordance with DIN EN 60715 TH35.

Any terminal positions which are not needed can be closed with blind bars CNB 100.

The hinged latching hood covers CNH...N or CNH...H can be opened upwards or downwards, as required. If necessary, they can also be removed completely or sealed.

When sealed, the hood covers also conceal the screws of the connection terminals (not STL 950/\_V).

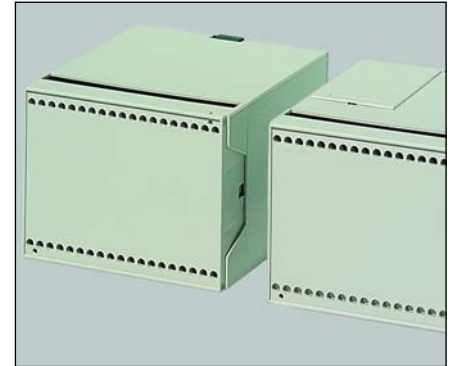
## CombiNorm Classic Components

CombiNorm Classic CN 100						
Model Number	Part Number	Description	Width Inches/mm	Length Inches/mm	Height Inches/mm	Drawing Page #
CN 100 AK	65010010	Small control enclosure for max. 38 terminals.	3.94/100	4.31/109.5	2.95/75	17-296
CNS 100 AK	65010030	Small control enclosure for max. 38 terminals with adjusting flap.	3.94/100	4.31/109.5	2.95/75	17-296

CN 100 AK includes lid, base with mounted latch

CNS 100 AK includes lid, base with mounted latch, adjusting flap.

CombiNorm Classic CN 100 Enclosure Lids				
Model Number	Part Number	Description	For Enclosure Shell	Drawing Page #
CNH 100 N	65010060	Hinged hood cover, crystal-clear, low	CN(S) 100 AK	17-296
CNH 100 H	65010050	Hinged hood cover, crystal-clear, tall	CN(S) 100 AK	17-296



CN 100 AK (Left), CNS 100 AK (Right)

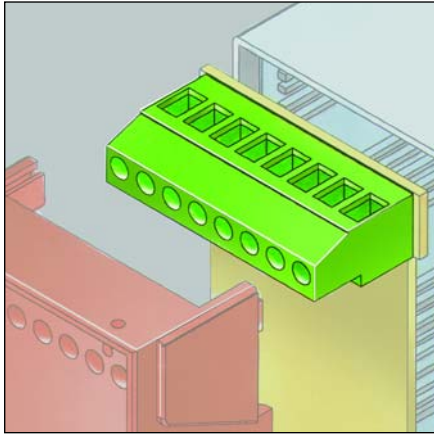
These enclosures can be latched onto the 35mm rail in accordance with DIN EN 60715 TH35.

Any terminal positions which are not needed can be closed with blind bars CNB 100.

The hinged latching hood covers CNH...N or CNH...H can be opened upwards or downwards, as required. If necessary, they can also be removed completely or sealed.

When sealed, the hood covers also conceal the screws of the connection terminals (not STL 950/\_V).

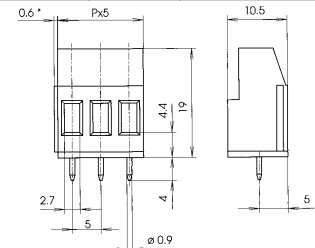
## CombiNorm Classic Components



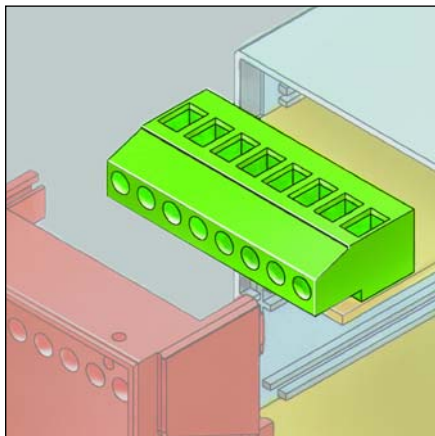
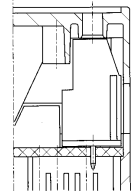
### AK 700 V

This AK 700/\_V terminal is specifically designed for a PCB fitted to the base and parallel to the front lid. This makes it possible to fit front operating elements at the same time. IP 20 protection.

Ratings according to DIN EN 60998		Model Number	Part Number	Poles	PCB Drawing Page #
Rated voltage	250 V	AK 700/2 V	66002000	2	17-296
Rated current	24 A (T60)	AK 700/3 V	66003000	3	17-296
Wire dimension	2.5mm <sup>2</sup>	AK 700/4 V	66004000	4	17-296
Test Voltage	2.0 kV	AK 700/8 V	66008000	8	17-296
Torque/screw size	0.5 Nm/M3	AK 700/10 V	66010000	10	17-296
		AK 700/13 V	66013000	13	17-296
		AK 700/19 V	66019000	19	17-296
Maximum Connection Cross-Section					
Single wire (rigid)	4.0mm <sup>2</sup>				
Fine-strand (flexible)	2.5mm <sup>2</sup>				
Materials					
Insulating material	Polyamide				
Flammability	UL 94 V0				
Temperature range	-22° F up to +221° F				
Terminal piece	CuZn				
Soldering tag	Cu				
Dimensions					
Pitch dimension	5.0mm				
Drill hole diameter	1.3mm				
Wire stripping length	8.0mm				
Color	Green, similar to RAL 6018				



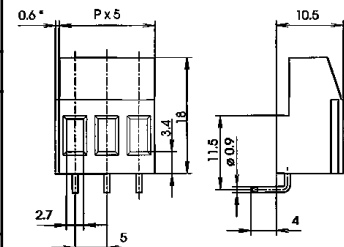
\*On AK 700/4 V the 0.6mm wide terminal bayonet was left out for lack of space.



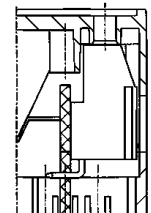
### AK 700 H

The AK 700/\_H terminal is designed for use with vertically inserted PCBs. It creates a 9mm clearance to the outside. This makes it possible to fit the PCBs with components on both sides. IP 20 protection.

Ratings according to DIN EN 60998		Model Number	Part Number	Poles	PCB Drawing Page #
Rated voltage	250 V	AK 700/2 H	66004110	2	17-297
Rated current	24 A (T60)	AK 700/3 H	66003100	3	17-297
Wire dimensions	2.5mm <sup>2</sup>	AK 700/4 H	66004100	4	17-297
Test Voltage	2.0 kV	AK 700/8 H	66008100	8	17-297
Torque/screw size	0.5 Nm/M3	AK 700/10 H	66010100	10	17-297
		AK 700/13 H	66013100	13	17-297
		AK 700/19 H	66019100	19	17-297
Maximum Connection Cross-Section					
Single wire (rigid)	4.0mm <sup>2</sup>				
Fine-strand (flexible)	2.5mm <sup>2</sup>				
Materials					
Insulating material	Polyamide				
Flammability	UL 94 V0				
Temperature range	-22° F up to +221° F				
Terminal piece (AK 950)	CuZn				
Soldering tag	Cu				
Dimensions					
Pitch dimension	5.0mm				
Drill hole diameter	1.3mm				
Wire stripping length	8.0mm				
Color	Green, similar to RAL 6018				

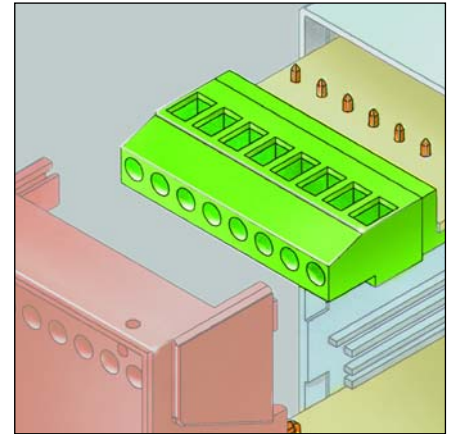
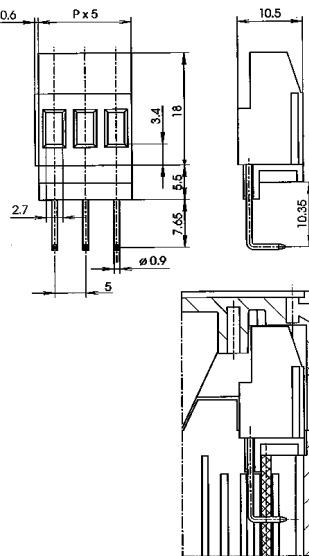


\*On AK 700/4 V the 0.6mm wide terminal bayonet was left out for lack of space.



## CombiNorm Classic Components

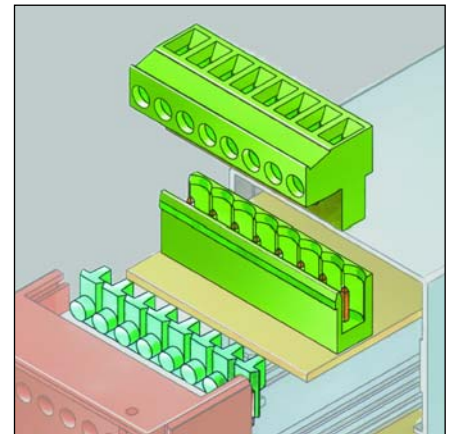
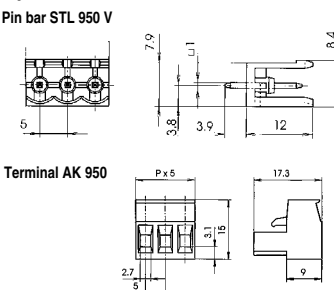
Connection Terminals AK 700 HB		Model Number	Part Number	Poles	PCB Drawing Page #
<b>Ratings according to DIN EN 60998</b>					
Rated voltage	250 V	AK 700/8 HB	66008200	8	17-298
Rated current	24 A (T60)	AK 700/10 HB	66010200	10	17-298
Wire dimension	2.5mm <sup>2</sup>	AK 700/13 HB	66013200	13	17-298
Test Voltage	2.0 kV	AK 700/19 HB	66019200	19	17-297
Torque/screw size	0.5 Nm/M3				
<b>Maximum Connection Cross-Section</b>					
Single wire (rigid)	4.0mm <sup>2</sup>				
Fine-strand (flexible)	2.5mm <sup>2</sup>				
<b>Materials</b>					
Insulating material	Polyamide				
Flammability	UL 94 V0				
Temperature range	-22° F up to +221° F				
Terminal piece	CuZn				
Soldering tag	Cu				
<b>Dimensions</b>					
Pitch dimension	5.0mm				
Drill hole diameter	1.3mm				
Wire stripping length	8.0mm				
Color	Green, similar to RAL 6018				



### AK 700 HB

The AK 700/\_HB terminal is primarily designed for single-sided PCBs, which are inserted vertically into the base. The special soldering pin design makes it possible to solder all components, including the terminal, in one process.

Pin bars STL 950 / Connection Terminals AK 950		Model Number	Part Number	Poles	PCB Drawing Page #
<b>Ratings according to DIN EN 60998</b>					
Rated voltage	250 V	STL 950 4 V	66004500	4	17-298
Rated current	12 A (T60)	STL 950 8 V	66008500	8	17-298
Wire dimension	2.5mm <sup>2</sup>	STL 950 10 V	66010500	10	17-298
Test voltage	4 kV/3	STL 950 13 V	66013500	13	17-298
Torque/screw size	0.5 Nm/M3	STK 950 19 V	66019500	19	17-298
<b>Maximum Connection Cross-Section</b>					
Single wire (rigid)	4.0mm <sup>2</sup>	AK 950/4	66004600	4	17-298
Fine-strand (flexible)	2.5mm <sup>2</sup>	AK 950/8	66008600	8	17-298
<b>Materials</b>					
Insulating material	Polyamide				
Flammability	UL 94 V0				
Temperature range	-22° F up to +221° F				
Terminal piece (AK 950)	CuZn				
Contact spring (AK 950)	CuSn				
Contact pin (STL 950)	Cu				
<b>Dimensions</b>					
Pitch dimension	5.0mm				
Drill hole diameter	1.4mm				
Wire stripping length	6.0mm				
Color	Green, similar to RAL 6018				



### STL 950 / AK 950

The 950 terminal series consists of two parts. The STL 950 connector bar is soldered to the PCB, which is to be inserted vertically. The AK 950 terminal slots into the connector bar, so faulty parts can be replaced quickly.

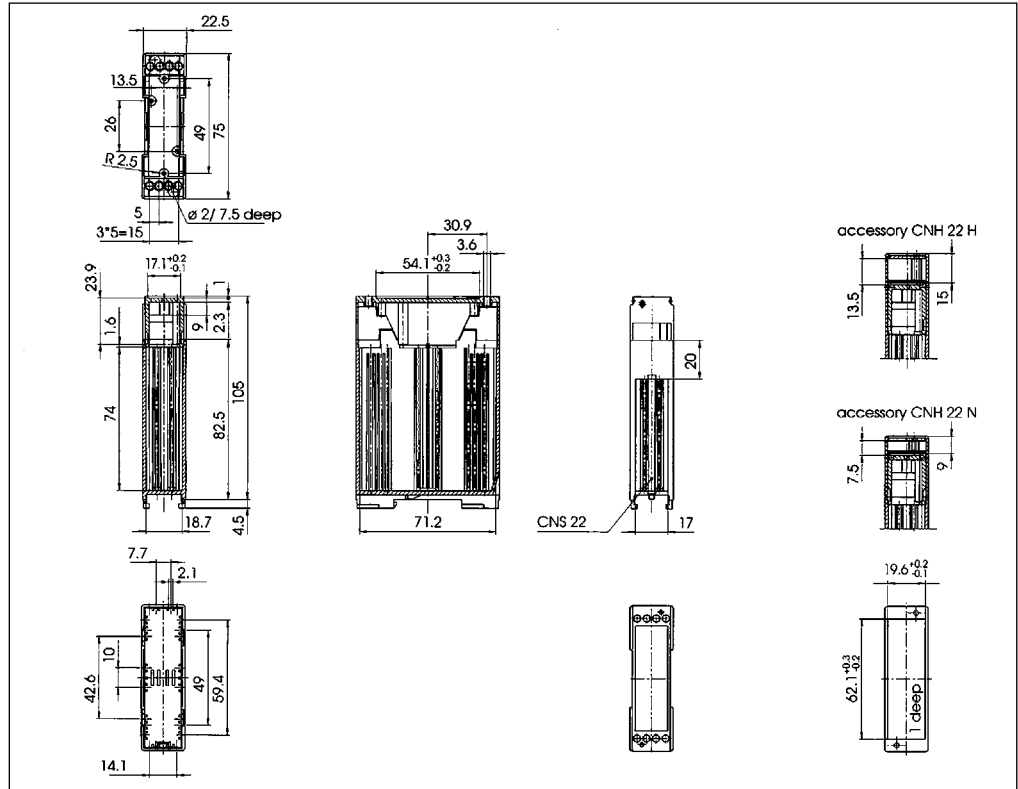
# Din Rail Mountable Enclosures

## CN 22 AK/CNS 22 AK

External Dimensions: L 109.5 x W 22.5 x H 75 mm

Page 14-6, 14-7

Standard Features
<ul style="list-style-type: none"> <li>• CN 22 AK/65002210 Lid, base with mounted latch. Small control enclosure for max. 8 terminals.</li> <li>• CNS 22 AK/65002230 Lid, base with mounted latch, adjusting flap. Small control enclosure for max. 8 terminals.</li> </ul>
Accessories
<ul style="list-style-type: none"> <li>• CNH 22 N/65002260 Hinged hood cover, crystal clear, low.</li> <li>• CNH 22 H/65002250 Hinged hood cover, crystal clear, tall.</li> <li>• CNA 100/65010100 STL adapter. (pack of 2).</li> <li>• CNB 100/65010070 Blind bar. (pack of 2).</li> <li>• AK-BS/66000100 Terminal identification strip.</li> <li>• AK 700/2 V/66002000 2 pole connection terminal.</li> <li>• AK 700/3 V/66003000 3 pole connection terminal.</li> <li>• AK 700/4 V/66004000 4 pole connection terminal.</li> <li>• AK 700/8 V/66008000 8 pole connection terminal.</li> <li>• AK 700/2 H/66004110 2 pole connection terminal.</li> <li>• AK 700/3 H/66003100 3 pole connection terminal.</li> <li>• AK 700/4 H/66004100 4 pole connection terminal.</li> <li>• AK 700 8 H/66008100 8 pole connection terminal.</li> <li>• AK 700/8 HB/66008200 8 pole connection terminal.</li> <li>• AK 950/4/66004600 4 pole connection terminal.</li> <li>• AK 950/8/66008600 8 pole connection terminal.</li> <li>• STL 950 4 V/66004500 4 pole pin bar.</li> <li>• STL 950 8 V/66008500 8 pole pin bar.</li> </ul>

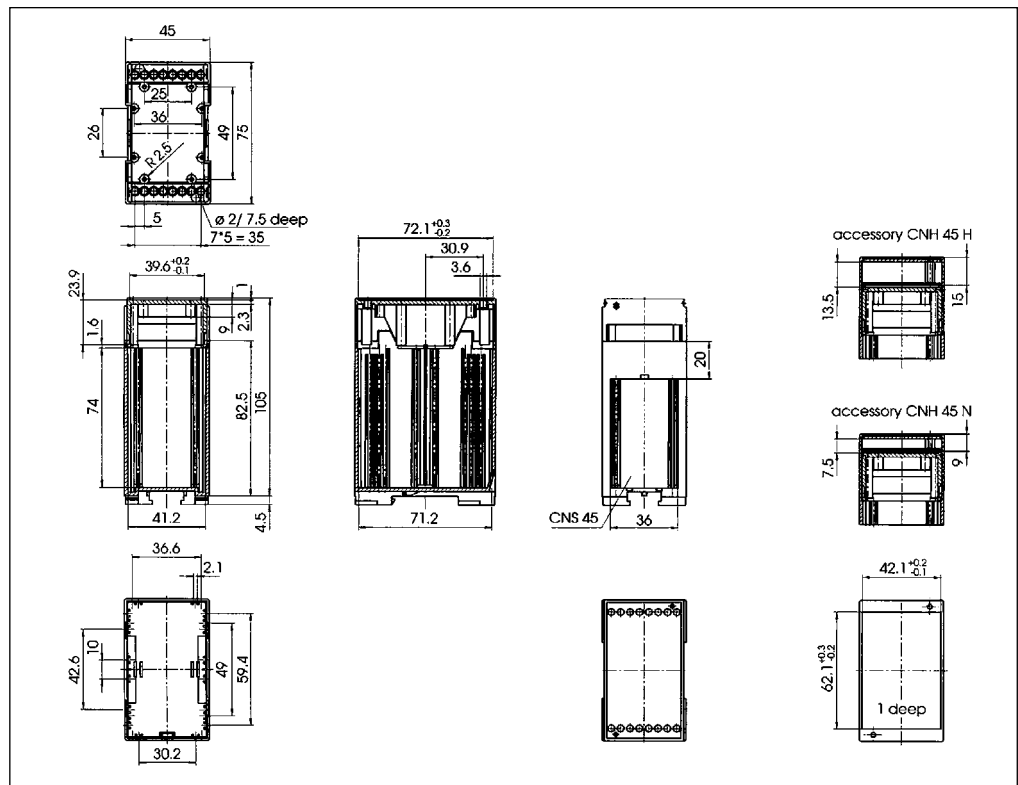


## CN 45 AK/CNS 45 AK

External Dimensions: L 109.5 x W 45 x H 75 mm

Page 14-6, 14-7

Standard Features
<ul style="list-style-type: none"> <li>• CN 45 AK/65004510 Lid, base with mounted latch. Small enclosure for max. 16 terminals.</li> <li>• CNS 45 AK/65004530 Lid, base with mounted latch, adjusting flap. Small enclosure for max. 16 terminals.</li> </ul>
Accessories
<ul style="list-style-type: none"> <li>• CNH 45 N/65004560 Hinged hood cover, crystal clear, low.</li> <li>• CNH 45 H/65004550 Hinged hood cover, crystal clear, tall.</li> <li>• CNA 100/65010100 STL adapter. (pack of 2).</li> <li>• CNB 100/65010070 Blind bar. (pack of 2).</li> <li>• AK-BS/66000100 Terminal identification strip.</li> <li>• AK 700/2 V/66002000 2 pole connection terminal.</li> <li>• AK 700/3 V/66003000 3 pole connection terminal.</li> <li>• AK 700/4 V/66004000 4 pole connection terminal.</li> <li>• AK 700/8 V/66008000 8 pole connection terminal.</li> <li>• AK 700/10 V/66010000 10 pole connection terminal.</li> <li>• AK 700/13 V/66013000 13 pole connection terminal.</li> <li>• AK 700/2 H/66004110 2 pole connection terminal.</li> <li>• AK 700/3 H/66003100 3 pole connection terminal.</li> <li>• AK 700/4 H/66004100 4 pole connection terminal.</li> <li>• AK 700 8 H/66008100 8 pole connection terminal.</li> <li>• AK 700/10 H/66010100 10 pole connection terminal.</li> <li>• AK 700/13 H/66013100 13 pole connection terminal.</li> <li>• AK 700/8 HB/66008200 8 pole connection terminal.</li> <li>• AK 700/10 HB/66010200 10 pole connection terminal.</li> <li>• AK 700/13 HB/66013200 13 pole connection terminal.</li> <li>• AK 950/4/66004600 4 pole connection terminal.</li> <li>• AK 950/8/66008600 8 pole connection terminal.</li> <li>• AK 950/10/66010600 10 pole connection terminal.</li> <li>• AK 950/13/66013600 13 pole connection terminal.</li> <li>• STL 950 4 V/66004500 4 pole pin bar.</li> <li>• STL 950 8 V/66008500 8 pole pin bar.</li> <li>• STL 950 10 V/66010500 10 pole pin bar.</li> <li>• STL 950 13 V/66013500 13 pole pin bar.</li> </ul>





**CN 55 AK/CNS 55 AK**

External Dimensions: L 109.5 x W 55 x H 75 mm

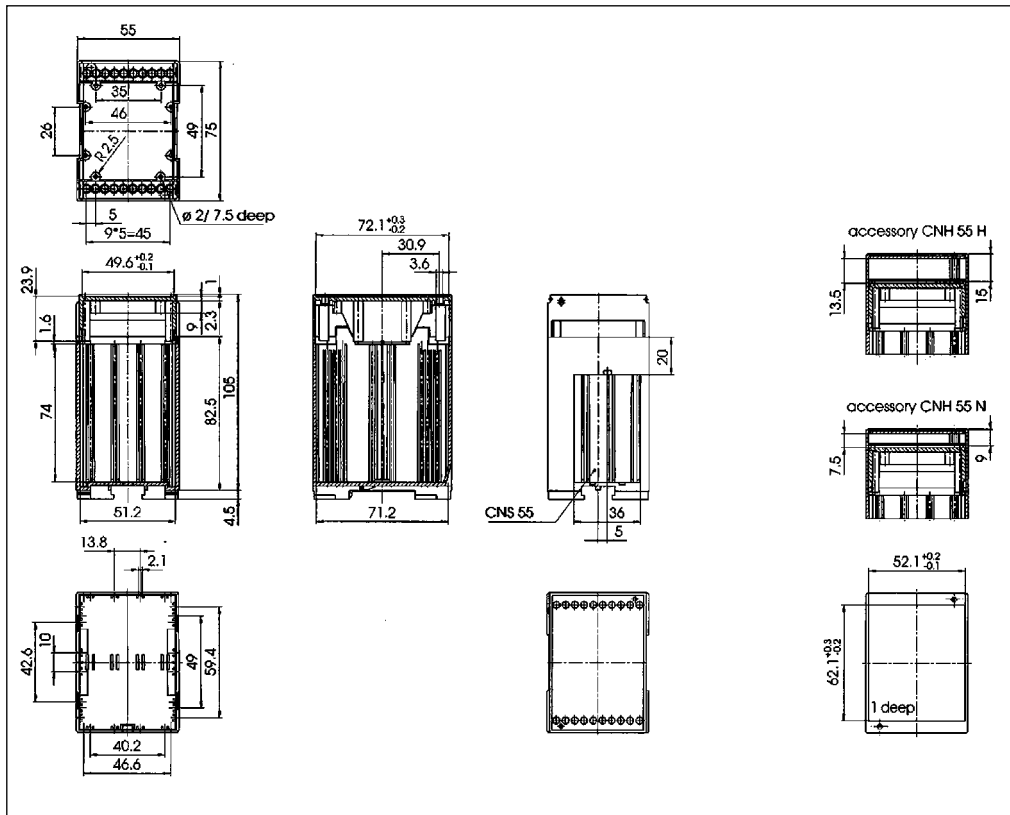
Page 14-6, 14-8

**Standard Features**

- CN 55 AK/65005510 Lid, base with mounted latch. Small enclosure for max. 20 terminals.
- CNS 55 AK/65005530 Lid, base with latch, adjusting flap. Small enclosure for max. 20 terminals.

**Accessories**

- CNH 55 N/65005560 Hinged hood cover, crystal clear, low.
- CNH 55 H/65005550 Hinged hood cover, crystal clear, tall.
- CNA 100/65010100 STL adapter. (pack of 2).
- CNB 100/65010070 Blind bar. (pack of 2).
- AK-BS/66000100 Terminal identification strip.
- AK 700/2 V/66002000 2 pole connection terminal.
- AK 700/3 V/66003000 3 pole connection terminal.
- AK 700/4 V/66004000 4 pole connection terminal.
- AK 700/8 V/66008000 8 pole connection terminal.
- AK 700/10 V/66010000 10 pole connection terminal.
- AK 700/13 V/66013000 13 pole connection terminal.
- AK 700/19 V/66019000 19 pole connection terminal.
- AK 700/2 H/66004110 2 pole connection terminal.
- AK 700/3 H/66003100 3 pole connection terminal.
- AK 700/4 H/66004100 4 pole connection terminal.
- AK 700/8 H/66008100 8 pole connection terminal.
- AK 700/10 H/66010100 10 pole connection terminal.
- AK 700/13 H/66013100 13 pole connection terminal.
- AK 700/19 H/66019100 19 pole connection terminal.
- AK 700/8 HB/66008200 8 pole connection terminal.
- AK 700/10 HB/66010200 10 pole connection terminal.
- AK 700/13 HB/66013200 13 pole connection terminal.
- AK 700/19 HB/66019200 19 pole connection terminal.
- AK 950/4/66004600 4 pole connection terminal.
- AK 950/8/66008600 8 pole connection terminal.
- AK 950/10/66010600 10 pole connection terminal.
- AK 950/13/66013600 13 pole connection terminal.
- AK 950/19/66019600 19 pole connection terminal.
- STL 950 4 V/66004500 4 pole pin bar.
- STL 950 8 V/66008500 8 pole pin bar.
- STL 950 10 V/66010500 10 pole pin bar.
- STL 950 13 V/66013500 13 pole pin bar.
- STL 950 19 V/66019500 19 pole pin bar.



**CN 70 AK/CNS 70 AK**

External Dimensions: L 109.5 x W 70 x H 75 mm

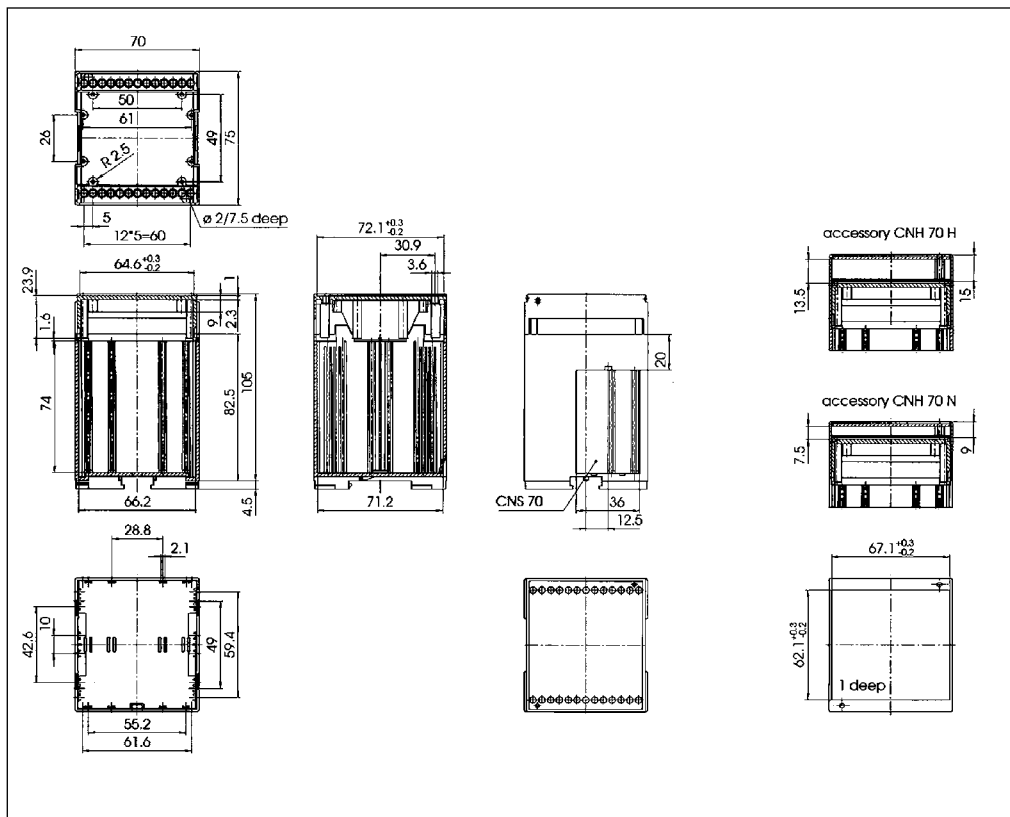
Page 14-6, 14-8

**Standard Features**

- CN 70 AK/65007010 Lid, base with mounted latch. Small enclosure for max. 26 terminals.
- CNS 70 AK/65007030 Lid, base with mounted latch, adjusting flap. Small enclosure for max. 26 terminals.

**Accessories**

- CNH 70 N/65007060 Hinged hood cover, crystal clear, low.
- CNH 70 H/65007050 Hinged hood cover, crystal clear, tall.
- CNA 100/65010100 STL adapter. (pack of 2).
- CNB 100/65010070 Blind bar. (pack of 2).
- AK-BS/66000100 Terminal identification strip.
- AK 700/2 V/66002000 2 pole connection terminal.
- AK 700/3 V/66003000 3 pole connection terminal.
- AK 700/4 V/66004000 4 pole connection terminal.
- AK 700/8 V/66008000 8 pole connection terminal.
- AK 700/10 V/66010000 10 pole connection terminal.
- AK 700/13 V/66013000 13 pole connection terminal.
- AK 700/19 V/66019000 19 pole connection terminal.
- AK 700/2 H/66004110 2 pole connection terminal.
- AK 700/3 H/66003100 3 pole connection terminal.
- AK 700/4 H/66004100 4 pole connection terminal.
- AK 700 8 H/66008100 8 pole connection terminal.
- AK 700/10 H/66010100 10 pole connection terminal.
- AK 700/13 H/66013100 13 pole connection terminal.
- AK 700/19 H/66019100 19 pole connection terminal.
- AK 700/8 HB/66008200 8 pole connection terminal.
- AK 700/10 HB/66010200 10 pole connection terminal.
- AK 700/13 HB/66013200 13 pole connection terminal.
- AK 700/19 HB/66019200 19 pole connection terminal.
- AK 950/4/66004600 4 pole connection terminal.
- AK 950/8/66008600 8 pole connection terminal.
- AK 950/10/66010600 10 pole connection terminal.
- AK 950/13/66013600 13 pole connection terminal.
- AK 950/19/66019600 19 pole connection terminal.
- STL 950 4 V/66004500 4 pole pin bar.
- STL 950 8 V/66008500 8 pole pin bar.
- STL 950 10 V/66010500 10 pole pin bar.
- STL 950 13 V/66013500 13 pole pin bar.
- STL 950 19 V/66019500 19 pole pin bar.



Dimensional Drawings

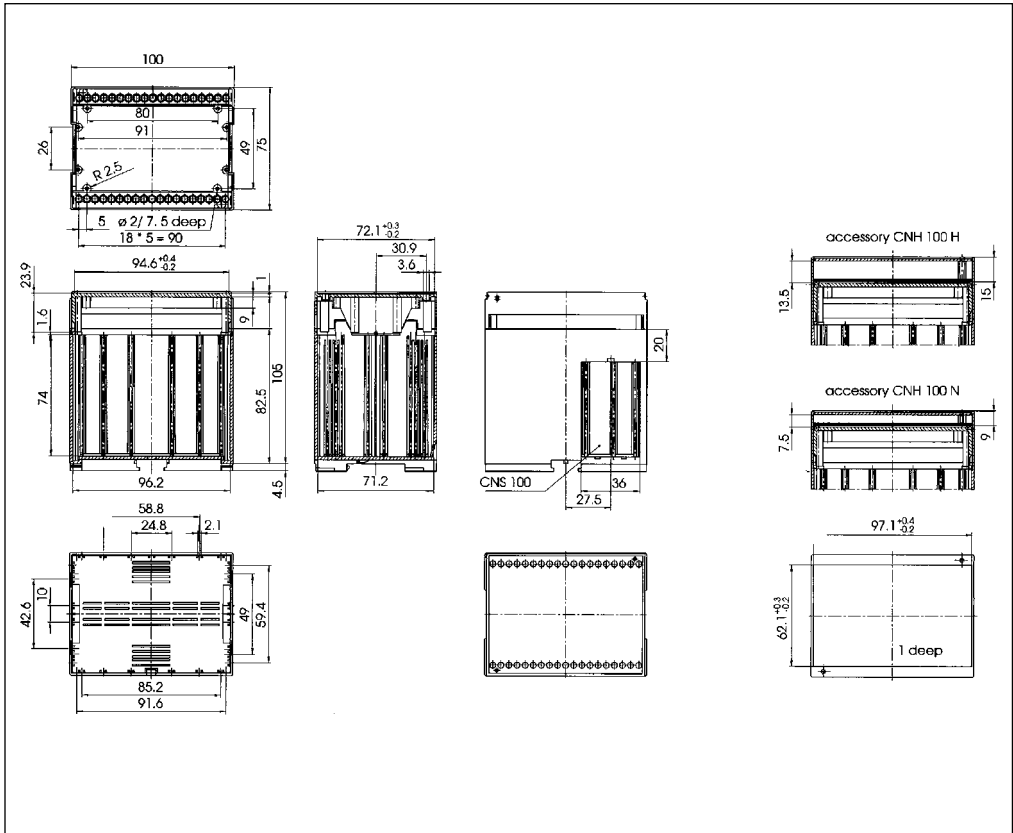
# Din Rail Mountable Enclosures

**CN 100 AK/CNS 100 AK**

**External Dimensions: L 109.5 x W 100 x H 75 mm**

**Page 14-6, 14-9**

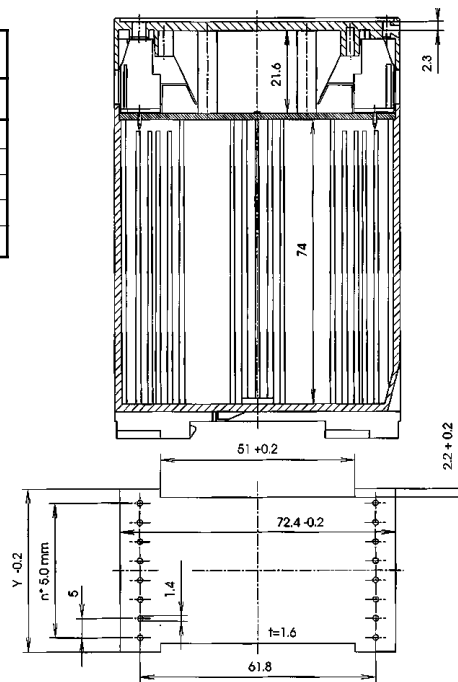
Standard Features
<ul style="list-style-type: none"> <li>• CN 100 AK/65010010 Lid, base with mounted latch. Small enclosure for max. 38 terminals.</li> <li>• CNS 100 AK/65010030 Lid, base with mounted latch, adjusting flap. Small enclosure for max. 38 terminals.</li> </ul>
Accessories
<ul style="list-style-type: none"> <li>• CNH 100 N/65010060 Hinged hood cover, crystal clear, low.</li> <li>• CNH 100 H/65010050 Hinged hood cover, crystal clear, tall.</li> <li>• CNA 100/65010100 STL adapter. (pack of 2).</li> <li>• CNB 100/65010070 Blind bar. (pack of 2).</li> <li>• AK-BS/6600100 Terminal identification strip.</li> <li>• AK 700/2 V/66002000 2 pole connection terminal.</li> <li>• AK 700/3 V/66003000 3 pole connection terminal.</li> <li>• AK 700/4 V/66004000 4 pole connection terminal.</li> <li>• AK 700/8 V/66008000 8 pole connection terminal.</li> <li>• AK 700/10 V/66010000 10 pole connection terminal.</li> <li>• AK 700/13 V/66013000 13 pole connection terminal.</li> <li>• AK 700/19 V/66019000 19 pole connection terminal.</li> <li>• AK 700/2 H/66004110 2 pole connection terminal.</li> <li>• AK 700/3 H/66003100 3 pole connection terminal.</li> <li>• AK 700/4 H/66004100 4 pole connection terminal.</li> <li>• AK 700 8 H/66008100 8 pole connection terminal.</li> <li>• AK 700/10 H/66010100 10 pole connection terminal.</li> <li>• AK 700/13 H/66013100 13 pole connection terminal.</li> <li>• AK 700/19 H/66019100 19 pole connection terminal.</li> <li>• AK 700/8 HB/66008200 8 pole connection terminal.</li> <li>• AK 700/10 HB/66010200 10 pole connection terminal.</li> <li>• AK 700/13 HB/66013200 13 pole connection terminal.</li> <li>• AK 700/19 HB/66019200 19 pole connection terminal.</li> <li>• AK 950/4/66004600 4 pole connection terminal.</li> <li>• AK 950/8/66008600 8 pole connection terminal.</li> <li>• AK 950/10/66010600 10 pole connection terminal.</li> <li>• AK 950/13/66013600 13 pole connection terminal.</li> <li>• AK 950/19/66019600 19 pole connection terminal.</li> <li>• STL 950 4 V/66004500 4 pole pin bar.</li> <li>• STL 950 8 V/66008500 8 pole pin bar.</li> <li>• STL 950 10 V/66010500 10 pole pin bar.</li> <li>• STL 950 13 V/66013500 13 pole pin bar.</li> <li>• STL 950 19 V/66019500 19 pole pin bar.</li> </ul>



**AK 700 V**

**Page 14-10**

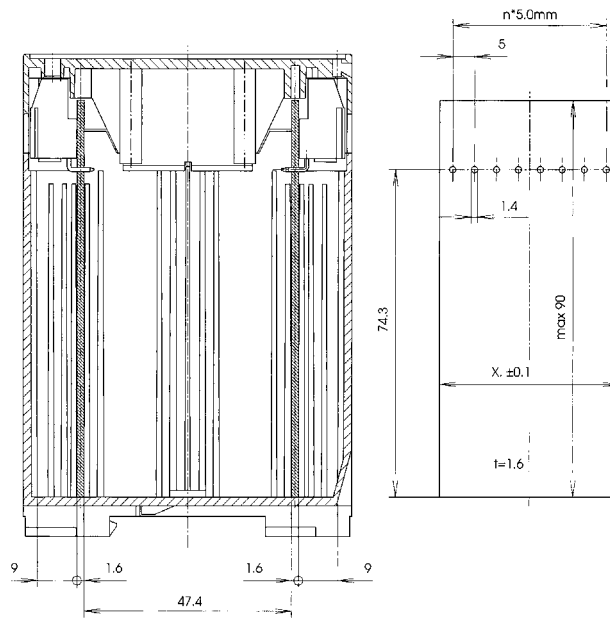
PCB Dimensions for AK 700 V		
For Enclosures	Y	n
CN 22 AK/V	19.9	3
CN 45 AK/V	42.4	7
CN 55 AK/V	52.4	9
CN 70 AK/V	67.4	12
CN 100 AK/V	97.4	18





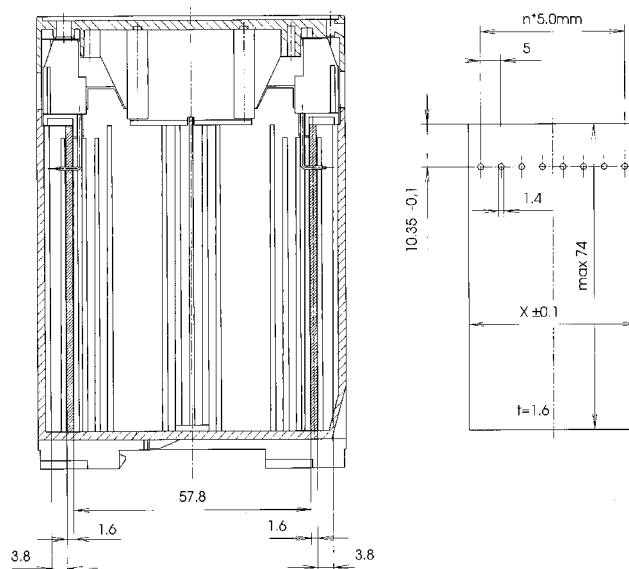
**PCB Dimensions for AK 700 H**

For Enclosures	Y	n
CN 22 AK/H	18.5	3
CN 45 AK/H	41.0	7
CN 55 AK/H	51.0	9
CN 70 AK/H	66.0	12
CN 100 AK/H	96.0	18



**PCB Dimensions for AK 700 HB**

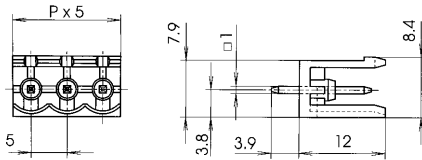
For Enclosures	Y	n
CN 45 AK/H	41.0	7
CN 55 AK/H	51.0	9
CN 70 AK/H	66.0	12
CN 100 AK/H	96.0	18



# Din Rail Mountable Enclosures

PCB Dimensions for STL 950 V		
For Enclosures	Y	n
CN 22 AK/H	18.5	3
CN 45 AK/H	41.0	7
CN 55 AK/H	51.0	9
CN 70 AK/H	66.0	12
CN 100 AK/H	96.0	18

STL 950 V Pin Bar



AK 950 Terminal

