



ROSE+BOPLA
ENCLOSURES

A PHOENIX MECANO COMPANY

19" Enclosures Profitronic 19 Product Drawings Last Updated 6/25/2008

Rose+Bopla Enclosures
7330 Executive Way
Frederick, MD 21704
301-696-9800
www.rose-bopla.com
rbinfo@pm-usa.com

Dimensional Drawings

For Secondary Services, Product Support, or To Order, Call 1-301-696-9800



TECHNICAL DATA:

- Color:
Enclosure body and terminal chamber, light gray, similar to RAL 7035.
Lid and external mounting brackets, stone gray, similar to RAL 7030.
- Material:
Enclosure body, Al Mg Si 0.5.
Terminal chamber, Al Si 12
- Gasket: Neoprene
- Finish: Resin stove-enamel finish
- Opening Angle: Terminal chamber and transparent cover, 110°.
- Protection Classifications: IP 65 to EN 60529
- Temperature range:
Lid seals: -40° F to +212° F
Transparent cover: -40° F to +158° F

Profitronic 19 is the enclosure system for 19" components, and with an IP65 rating, is ideal for use in an industrial environment. These enclosures are made of robust aluminum extrusions and

Profitronic 19

are designed in a modular fashion. With 40 different variations, the Profitronic enclosure system offers unique solutions for any application in measurement and control technology, bus technology and desktop enclosures. Profitronic is designed for use as a wall enclosure, switchboard enclosures or desktop enclosures.

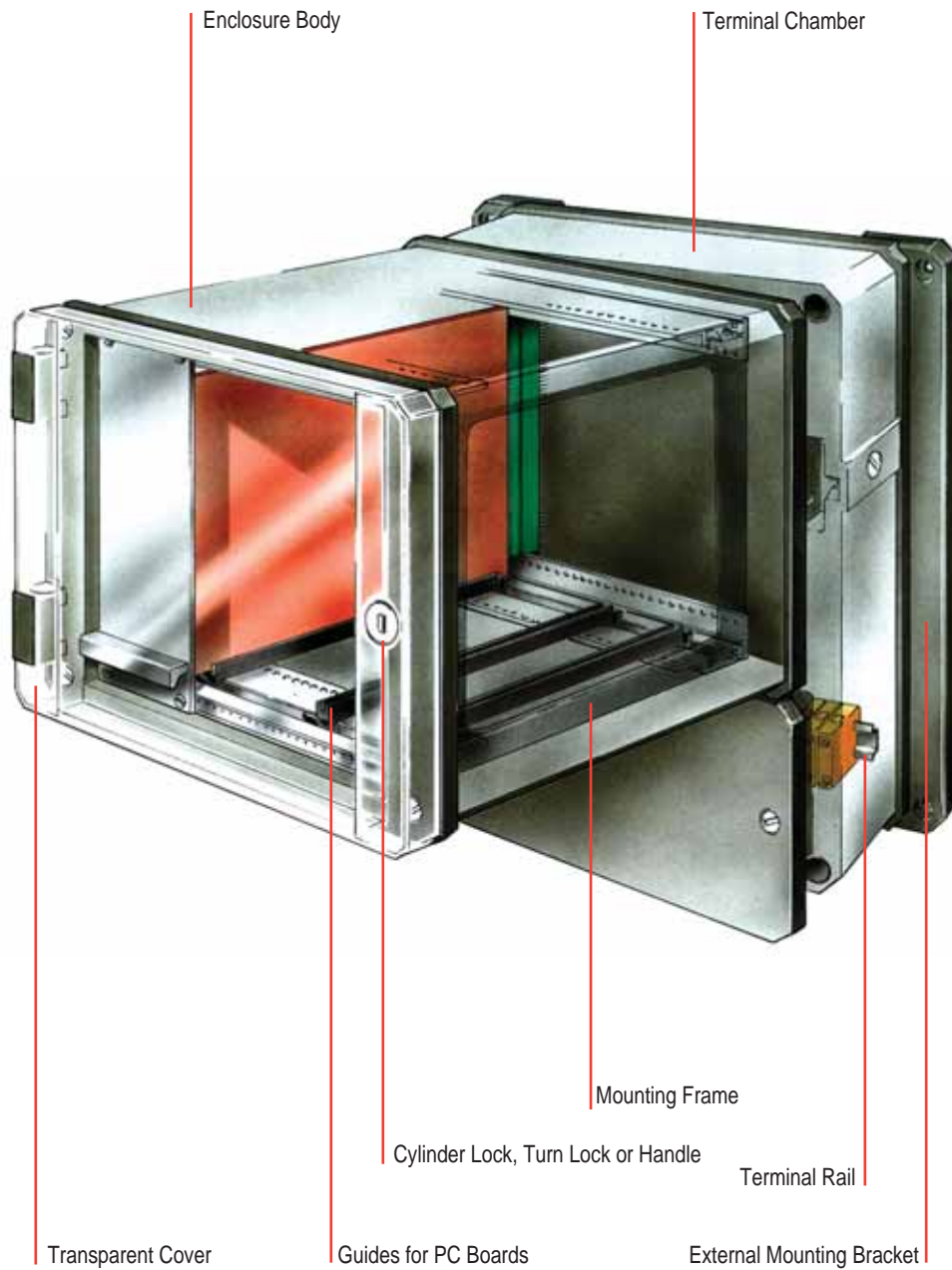
While the Profitronic 19 offers high EMI/RFI efficiency in the standard version, there is a special EMI/RFI version with conductive gaskets for critical applications.

Some of the significant advantages of this product series are:

- Interior in 19" design;
- Free access to the wiring area at the back of the enclosure due to the hinged enclosure body;
- Separate terminal chamber in two mounting depths to build in power supply units, motherboards, double-deck or triple-deck terminals;
- Front plate lid version for modification to your design, components and controls;
- Tapped profiles at the rear to hold connector bars to IEC 603/DIN 41612;
- Mounting bosses to attach bus boards;
- Snap-on guard rails for printed circuit boards;
- Ability to wall mount through fastening channels located outside the sealing lip;
- Transparent front covers with locks are available; and
- Tapped front bars for mounting front plate parts.

Profitronic 19 is offered with an open front frame, a closed front frame or a hinged front cover in clear polycarbonate. Clear front covers come standard with a plastic screwdriver lock. A metal cylinder lock, with key, for transparent covers can be installed on request.

Profitronic 19



Profitronic 19 Enclosure System

Part Number	Description	Width (Inches/mm)	Height (Inches/mm)	Depth (Inches/mm)	Weight LBS.	Drawing Page #
07191100	Open front frame with terminal chamber and 19" mounting frame	5.83 / 148	9.49 / 241	9.76 / 248	4.85 lbs.	17-309
07281100	Open front frame with terminal chamber and 19" mounting frame	7.52 / 191	9.49 / 241	9.76 / 248	7.28 lbs.	17-309
07421100	Open front frame with terminal chamber and 19" mounting frame	10.43 / 265	9.49 / 241	9.76 / 248	11.02 lbs.	17-309
07191101	Deep terminal chamber and 19" mounting frame	5.83 / 148	9.49 / 241	11.34 / 288	6.61 lbs.	17-309
07281101	Deep terminal chamber and 19" mounting frame	7.52 / 191	9.49 / 241	11.34 / 288	8.82 lbs.	17-309
07421101	Deep terminal chamber and 19" mounting frame	10.43 / 265	9.49 / 241	11.34 / 288	13.23 lbs.	17-309
07191200	Open front frame with 19" mounting frame	5.83 / 148	5.87 / 149	9.76 / 248	3.09 lbs.	17-309
07281200	Open front frame with 19" mounting frame	7.52 / 191	5.87 / 149	9.76 / 248	4.41 lbs.	17-309
07421200	Open front frame with 19" mounting frame	10.43 / 265	5.87 / 149	9.76 / 248	6.61 lbs.	17-309
07192100	19" mounting frame with terminal chamber and transparent cover	5.83 / 148	9.49 / 241	10.35 / 263	5.29 lbs.	17-310
07282100	19" mounting frame with terminal chamber and transparent cover	7.52 / 191	9.49 / 241	10.35 / 263	7.72 lbs.	17-310
07422100	19" mounting frame with terminal chamber and transparent cover	10.43 / 265	9.49 / 241	10.35 / 263	11.68 lbs.	17-310
07192101	Deep terminal chamber with 19" mounting frame and transparent cover	5.83 / 148	9.49 / 241	11.93 / 303	7.05 lbs.	17-310
07282101	Deep terminal chamber with 19" mounting frame and transparent cover	7.52 / 191	9.49 / 241	11.93 / 303	9.26 lbs.	17-310
07422101	Deep terminal chamber with 19" mounting frame and transparent cover	10.43 / 265	9.49 / 241	11.93 / 303	13.67 lbs.	17-310
07192200	Hinged clear front cover with 19" mounting frame	5.83 / 148	5.87 / 149	10.31 / 262	3.31 lbs.	17-310
07282200	Hinged clear front cover with 19" mounting frame	7.52 / 191	5.87 / 149	10.31 / 262	4.85 lbs.	17-310
07422200	Hinged clear front cover with 19" mounting frame	10.43 / 265	5.87 / 149	10.31 / 262	7.28 lbs.	17-310
07192300	With terminal chamber, front plate lid and clear front cover	5.83 / 148	9.49 / 241	3.62 / 92	4.19 lbs.	17-311
07282300	With terminal chamber, front plate lid and clear front cover	7.52 / 191	9.49 / 241	3.62 / 92	4.74 lbs.	17-311
07422300	With terminal chamber, front plate lid and clear front cover	10.43 / 265	9.49 / 241	3.62 / 92	5.73 lbs.	17-311
07192301	With deep terminal chamber, front plate lid and clear front cover	5.83 / 148	9.49 / 241	5.20 / 132	5.40 lbs.	17-311
07282301	With deep terminal chamber, front plate lid and clear front cover	7.52 / 191	9.49 / 241	5.20 / 132	5.40 lbs.	17-311
07422301	With deep terminal chamber, front plate lid and clear front cover	10.43 / 265	9.49 / 241	5.20 / 132	7.61 lbs.	17-311
07193100	Closed front frame with terminal chamber and front plate lid	5.83 / 148	9.49 / 241	10.20 / 259	5.51 lbs.	17-311
07283100	Closed front frame with terminal chamber and front plate lid	7.52 / 191	9.49 / 241	10.20 / 259	8.38 lbs.	17-311
07423100	Closed front frame with terminal chamber and front plate lid	10.43 / 265	9.49 / 241	10.20 / 259	12.38 lbs.	17-311
07193101	With deep terminal chamber and front plate lid	5.83 / 148	9.49 / 241	11.77 / 299	7.05 lbs.	17-311
07283101	With deep terminal chamber and front plate lid	7.52 / 191	9.49 / 241	11.77 / 299	9.26 lbs.	17-311
07423101	With deep terminal chamber and front plate lid	10.43 / 265	9.49 / 241	11.77 / 299	13.67 lbs.	17-311
07193200	Closed front frame and front plate lid	5.83 / 148	5.87 / 149	10.16 / 258	3.75 lbs.	17-312
07283200	Closed front frame and front plate lid	7.52 / 191	5.87 / 149	10.16 / 258	4.47 lbs.	17-312
07423200	Closed front frame and front plate lid	10.43 / 265	5.87 / 149	10.16 / 258	7.94 lbs.	17-312
07193300	With terminal chamber and closed front lid	5.83 / 148	9.49 / 241	3.03 / 77	3.86 lbs.	17-312
07283300	With terminal chamber and closed front lid	7.52 / 191	9.49 / 241	3.03 / 77	4.41 lbs.	17-312
07423300	With terminal chamber and closed front lid	10.43 / 265	9.49 / 241	3.03 / 77	5.40 lbs.	17-312
07193301	With deep terminal chamber and front lid	5.83 / 148	9.49 / 241	11.77 / 299	5.07 lbs.	17-312
07283301	With deep terminal chamber and front lid	7.52 / 191	9.49 / 241	11.77 / 299	5.73 lbs.	17-312
07423301	With deep terminal chamber and front lid	10.43 / 265	9.49 / 241	11.77 / 299	7.17 lbs.	17-312

1.57" deeper terminal chamber available on request.

Note: Dimensions are external. Metric is the primary dimension. Inch conversions are for the user's convenience and are for reference only.



19" Enclosures

Profitronic 19"

Standard Features
<ul style="list-style-type: none"> • 07191100 Open front frame with terminal chamber and 19" mounting frame. • 07281100 Open front frame with terminal chamber and 19" mounting frame. • 07421100 Open front frame with terminal chamber and 19" mounting frame. • 07191101 Deep terminal chamber and 19" mounting frame. • 07281101 Deep terminal chamber and 19" mounting frame. • 07421101 Deep terminal chamber and 19" mounting frame.
Accessories
<ul style="list-style-type: none"> • 07000100 External Brackets. • 07000010 Card guides (set of 10). • 07190010 Backplane adapter (for 2-part connectors) for 0719 (set of 2). • 07280010 Backplane adapter (for 2-part connectors) for 0728 (set of 2). • 07420010 Backplane adapter (for 2-part connectors) for 0742 (set of 2). • 07190020 Insulation strips for 07190010 00 (set of 2). • 07280020 Insulation strips for 07280010 00 (set of 2). • 07420020 Insulation strips for 07420010 00 (set of 2).

Enclosure with Terminal Chamber and 19" Mounting Frame.

Part #	A	B	C	H	D
07191100	148	98	18 x 5.08 = 91.44	241	248
07281100	191	144	27 x 5.08 = 137.16	241	248
07421100	265	215	41 x 5.08 = 208.28	241	248
07191101	148	98	18 x 5.08 = 91.44	241	288
07281101	191	144	27 x 5.08 = 137.16	241	288
07421101	265	215	41 x 5.08 = 208.28	241	288

Profitronic 19

Standard Features
<ul style="list-style-type: none"> • 07191200 Open front frame with 19" mounting frame. • 07281200 Open front frame with 19" mounting frame. • 07421200 Open front frame with 19" mounting frame.
Accessories
<ul style="list-style-type: none"> • 07000200 External Brackets. • 07000010 Card guides (set of 10). • 07190010 Backplane adapter (for 2-part connectors) for 0719 (set of 2). • 07280010 Backplane adapter (for 2-part connectors) for 0728 (set of 2). • 07420010 Backplane adapter (for 2-part connectors) for 0742 (set of 2). • 07190020 Insulation strips for 07190010 00 (set of 2). • 07280020 Insulation strips for 07280010 00 (set of 2). • 07420020 Insulation strips for 07420010 00 (set of 2).

Enclosure without Terminal Chamber, with 19" Mounting Frame.

Part #	A	B	C	H	D
07191200	148	98	18 x 5.08 = 91.44	149	248
07281200	191	144	27 x 5.08 = 137.16	149	248
07421200	265	215	41 x 5.08 = 208.28	149	248

Dimensional Drawings

19" Enclosures

Profitronic 19

Page 15-4

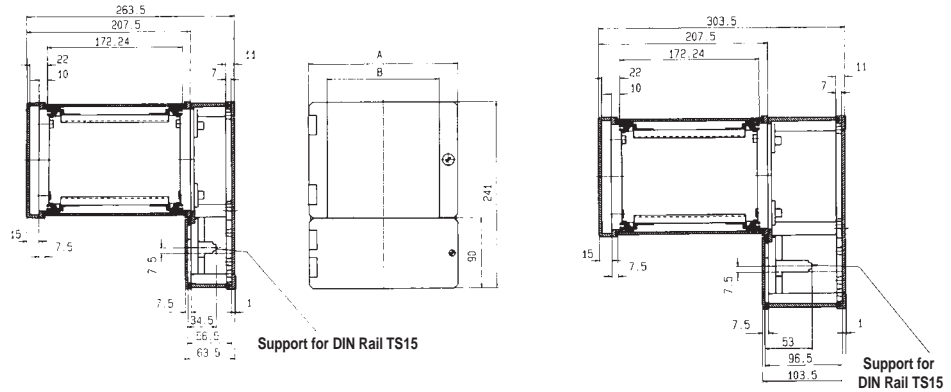
Standard Features

- **07192100** 19" mounting frame with terminal chamber and transparent door.
- **07282100** 19" mounting frame with terminal chamber and transparent door.
- **07422100** 19" mounting frame with terminal chamber and transparent door.
- **07192101** Deep terminal chamber and 19" mounting frame and transparent door.
- **07282101** Deep terminal chamber and 19" mounting frame and transparent door.
- **07422101** Deep terminal chamber and 19" mounting frame and transparent door.

Accessories

- **07000100** External Brackets.
- **07000010** Card guides (set of 10).
- **07190010** Backplane adapter (for 2-part connectors) for 0719 (set of 2).
- **07280010** Backplane adapter (for 2-part connectors) for 0728 (set of 2).
- **07420010** Backplane adapter (for 2-part connectors) for 0742 (set of 2).
- **07190020** Insulation strips for 07190010 00 (set of 2).
- **07280020** Insulation strips for 07280010 00 (set of 2).
- **07420020** Insulation strips for 07420010 00 (set of 2).

Enclosure with Terminal Chamber, 19" Mounting Frame and Transparent Cover.



Part #	A	B	H	D
07192100	148	101	241	263
07282100	191	144	241	263
07422100	265	218	241	263
07192101	148	101	241	303
07282101	191	144	241	303
07422101	265	218	241	303

Profitronic 19

Page 15-4

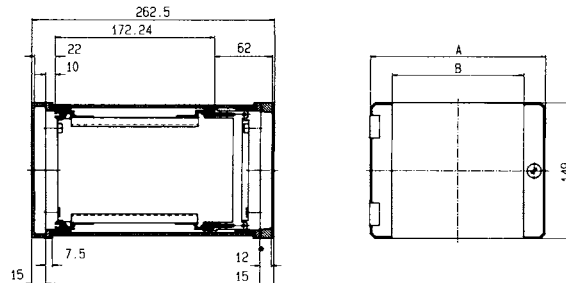
Standard Features

- **07192200** Hinged clear front cover with 19" mounting frame.
- **07282200** Hinged clear front cover with 19" mounting frame.
- **07422200** Hinged clear front cover with 19" mounting frame.

Accessories

- **07000200** External Brackets.
- **07000010** Card guides (set of 10).
- **07190010** Backplane adapter (for 2-part connectors) for 0719 (set of 2).
- **07280010** Backplane adapter (for 2-part connectors) for 0728 (set of 2).
- **07420010** Backplane adapter (for 2-part connectors) for 0742 (set of 2).
- **07190020** Insulation strips for 07190010 00 (set of 2).
- **07280020** Insulation strips for 07280010 00 (set of 2).
- **07420020** Insulation strips for 07420010 00 (set of 2).

Enclosure without Terminal Chamber, with 19" Mounting Frame and Transparent Cover.



Part #	A	B	H	D
07192200	148	101	149	262
07282200	191	144	149	262
07422200	265	218	149	262



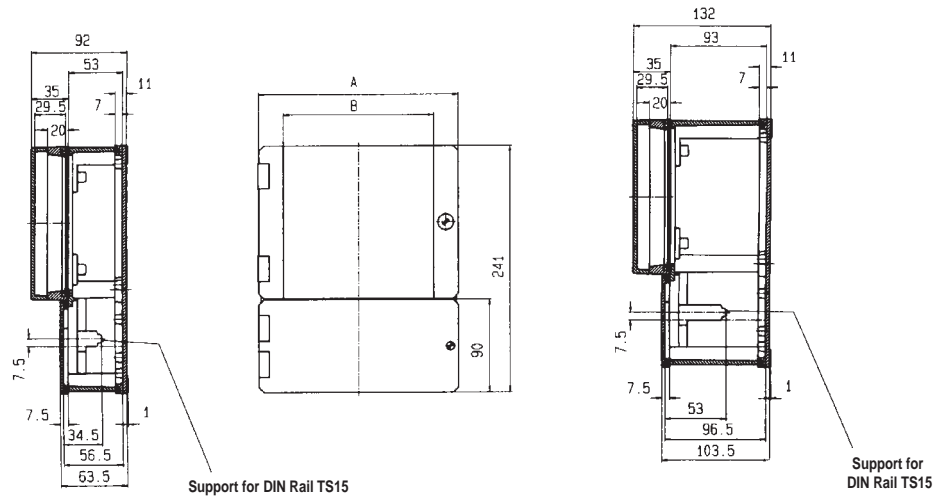
Standard Features

- **07192300** With terminal chamber, front plate lid and clear front cover.
- **07282300** With terminal chamber, front plate lid and clear front cover.
- **07422300** With terminal chamber, front plate lid and clear front cover.
- **07192301** With deep terminal chamber front plate lid and clear front cover.
- **07282301** With deep terminal chamber front plate lid and clear front cover.
- **07422301** With deep terminal chamber front plate lid and clear front cover.

Accessories

- **07000100** External Brackets.
- **07000010** Card guides (set of 10).
- **07190010** Backplane adapter (for 2-part connectors) for 0719 (set of 2).
- **07280010** Backplane adapter (for 2-part connectors) for 0728 (set of 2).
- **07420010** Backplane adapter (for 2-part connectors) for 0742 (set of 2).
- **07190020** Insulation strips for 07190010 00 (set of 2).
- **07280020** Insulation strips for 07280010 00 (set of 2).
- **07420020** Insulation strips for 07420010 00 (set of 2).

Enclosure with Terminal Chamber with Front Plate Lid and Transparent Cover.



Part #	A	B	H	D
07192300	148	101	241	92
07282300	191	144	241	92
07422300	265	218	241	92
07192301	148	101	241	132
07282301	191	144	241	132
07422301	265	218	241	132

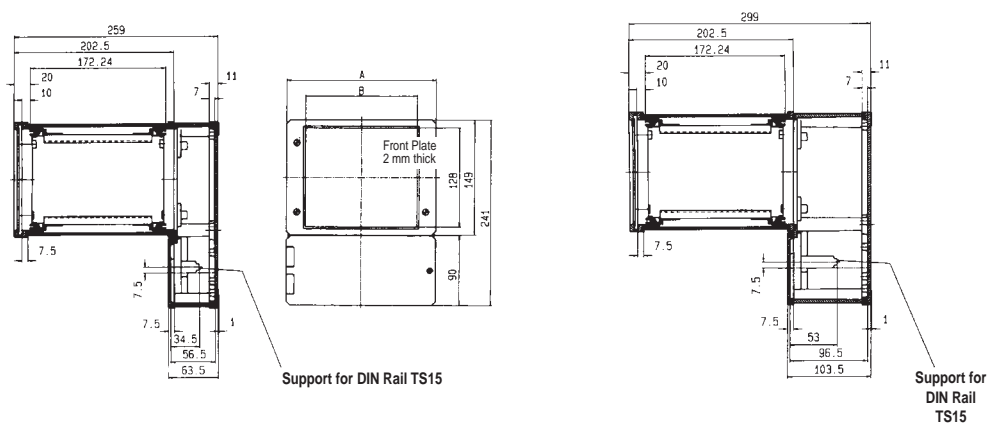
Standard Features

- **07193100** Closed front frame with terminal chamber and front plate lid and clear front cover.
- **07283100** Closed front frame with terminal chamber and front plate lid.
- **07423100** Closed front frame with terminal chamber and front plate lid.
- **07193101** With deep terminal chamber and front plate lid.
- **07283101** With deep terminal chamber and front plate lid.
- **07423101** With deep terminal chamber and front plate lid.

Accessories

- **07000100** External Brackets.
- **07000010** Card guides (set of 10).
- **07190010** Backplane adapter (for 2-part connectors) for 0719 (set of 2).
- **07280010** Backplane adapter (for 2-part connectors) for 0728 (set of 2).
- **07420010** Backplane adapter (for 2-part connectors) for 0742 (set of 2).
- **07190020** Insulation strips for 07190010 00 (set of 2).
- **07280020** Insulation strips for 07280010 00 (set of 2).
- **07420020** Insulation strips for 07420010 00 (set of 2).

Enclosure with Terminal Chamber and Front Plate Lid.



Part #	A	B	H	D
07193100	148	100	241	259
07283100	191	143	241	259
07423100	265	217	241	259
07193101	148	100	241	299
07283101	191	143	241	299
07423101	265	217	241	299

19" Enclosures

Profitronic 19

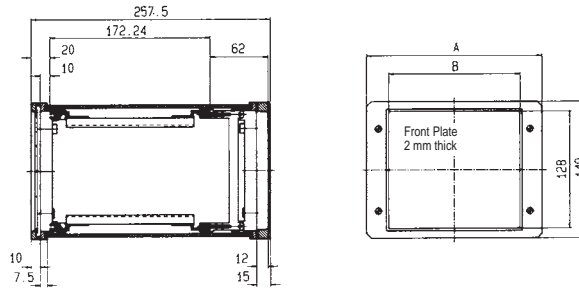
Standard Features

- **07193200** Closed front frame with front plate lid.
- **07283200** Closed front frame with front plate lid.
- **07423200** Closed front frame with front plate lid.

Accessories

- **07000200** External Brackets.
- **07000010** Card guides (set of 10).
- **07190010** Backplane adapter (for 2-part connectors) for 0719 (set of 2).
- **07280010** Backplane adapter (for 2-part connectors) for 0728 (set of 2).
- **07420010** Backplane adapter (for 2-part connectors) for 0742 (set of 2).
- **07190020** Insulation strips for 07190010 00 (set of 2).
- **07280020** Insulation strips for 07280010 00 (set of 2).
- **07420020** Insulation strips for 07420010 00 (set of 2).

Enclosure without Terminal Chamber, with Front Plate Lid.



Part #	A	B	H	D
07193200	148	100	149	258
07283200	191	143	149	258
07423200	265	217	149	258

Profitronic 19

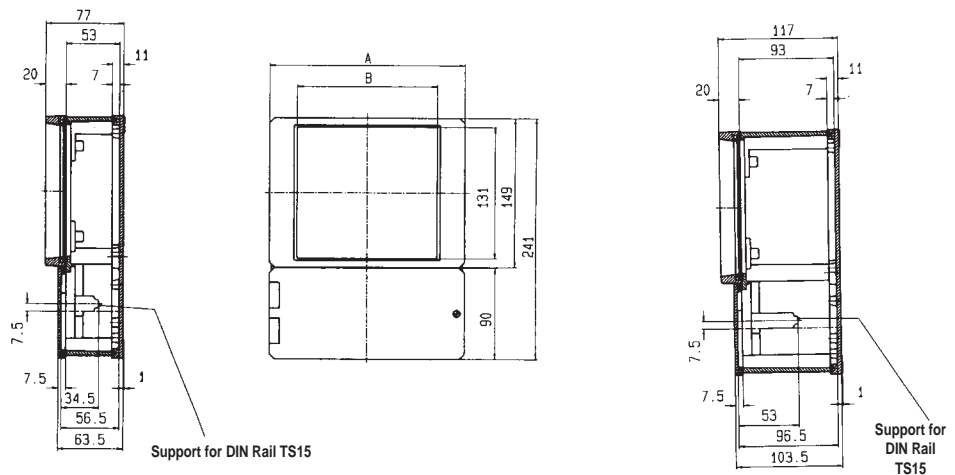
Standard Features

- **07193300** With terminal chamber and closed front lid.
- **07283300** With terminal chamber and closed front lid.
- **07423300** With terminal chamber and closed front lid.
- **07193301** With deep terminal chamber and front lid.
- **07283301** With deep terminal chamber and front lid.
- **07423301** With deep terminal chamber and front lid.

Accessories

- **07000100** External Brackets.
- **07000010** Card guides (set of 10).
- **07190010** Backplane adapter (for 2-part connectors) for 0719 (set of 2).
- **07280010** Backplane adapter (for 2-part connectors) for 0728 (set of 2).
- **07420010** Backplane adapter (for 2-part connectors) for 0742 (set of 2).
- **07190020** Insulation strips for 07190010 00 (set of 2).
- **07280020** Insulation strips for 07280010 00 (set of 2).
- **07420020** Insulation strips for 07420010 00 (set of 2).

Enclosure with Terminal Chamber and Front Lid.



Part #	A	B	H	D
07193300	148	94	241	77
07283300	191	137	241	77
07423300	265	211	241	77
07193301	148	94	241	117
07283301	191	137	241	117
07423301	265	211	241	117