

# 19" Enclosures

## Profitronic 19 Universal

### Product Drawings

#### Last Updated 6/25/2008

Rose+Bopla Enclosures  
7330 Executive Way  
Frederick, MD 21704  
301-696-9800  
[www.rose-bopla.com](http://www.rose-bopla.com)  
[rbinfo@pm-usa.com](mailto:rbinfo@pm-usa.com)

The Profitronic 19 Universal enclosure family is designed for electrical and/or mechanical components that are not made for 19" design technology. As standard, there are guide grooves on

## Profitronic 19 Universal

the sides of the Profitronic 19 Universal for mounting plates or main frames. These enclosures consist of robust aluminum profiles; are designed in a modular fashion; and bear an IP 65 protection rating. The following types of designs are available for: enclosures with and without a terminal chamber; enclosures with a mounting frame and transparent cover; or enclosures with a front plate lid for modification to your design, components and controls. The Profitronic 19 Universal is typically used as a wall enclosure, switchboard enclosure, or as a desktop enclosure for measurement and control applications, or in mechanical engineering.

While the Profitronic 19 Universal already offers high EMI/RFI efficiency in the standard version, there is a special EMI/RFI version with conductive gaskets for critical applications.

### CONSTRUCTION:

- Enclosure body: Aluminum extrusion with guide grooves on the sides for mounting plates, chassis inserts, etc.
- Terminal chamber: Cast aluminum with hinged lid and hinge connection to enclosure body, turn bolt lock for split operation, fitted with TS 15 DIN rail.
- Seal: Neoprene
- Fittings in the terminal chamber: Four bosses, including screws, for mounting circuit boards, DIN rails, and other components.
- Wall mounting: Enclosures with a terminal chamber are wall-mounted through fastening channels located outside the sealing lip. Enclosures without terminal chambers use external wall-mount brackets (sold as accessories).
- Transparent cover comes standard with a turn lock, which is operated with a screwdriver. Special versions are available with cylinder locks or turn handles (sold as accessories).
- Lid styles: Transparent cover with mounting frame, anodized front plate, and screw connection with tapped bar; front plate lid with anodized front plate; and rear lid on mounting frame.
- Special versions: special lengths, paints, EMI/RFI designs.

Profitronic 19 Universal features stainless steel hardware and watertight gaskets. These enclosures include a powder-coat painted extruded aluminum enclosure body and cast aluminum lids. Clear lids are polycarbonate. Screwdriver locks are standard with clear front cover. Lower terminal chamber comes with a cast aluminum rear hinged cover. Optional security locks are available on request. RFI gasketed version can be special ordered.



### TECHNICAL DATA:

- Color: Enclosure body and terminal chamber, light gray, similar to RAL 7035. Lid and external mounting brackets, stone gray, similar to RAL 7030.
- Material: Enclosure body, Al Mg Si 0.5. Terminal chamber, Al Si 12
- Gasket: Neoprene
- Opening Angle: Terminal chamber and transparent cover 110°.
- Protection Classifications: IP 65 to EN 60529
- Temperature range: Lid seals: -40° F to +212° F. Transparent cover: -40° F to +158° F
- Connection Compartment: Cast aluminum with hinged lid and hinge connection to enclosure body. Turn bolt lock, fitted with TS 15 rail.

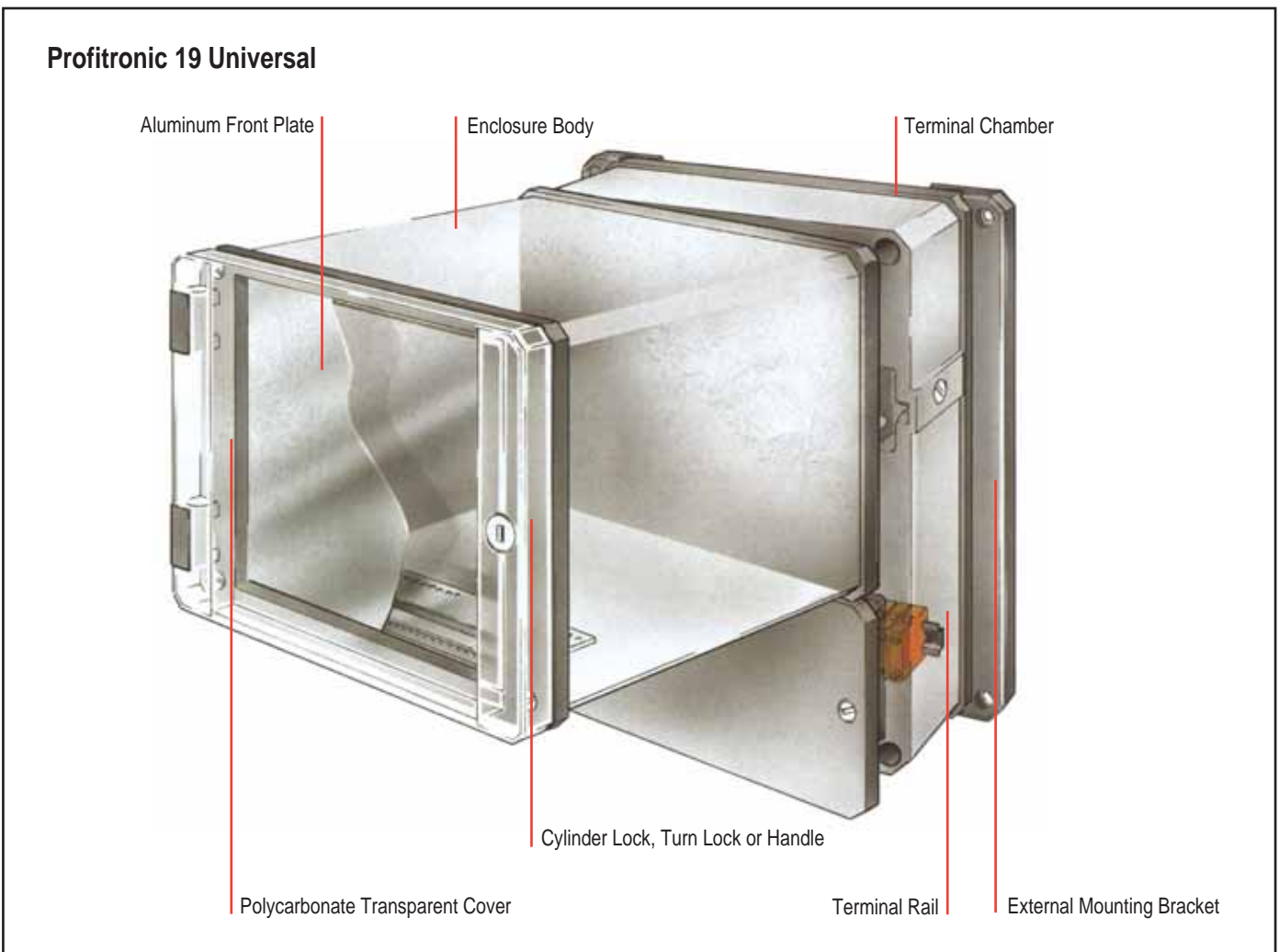


◀ Profitronic 19 Universal enclosure showing chassis insertion.

## Profitronic 19 Universal Enclosure System

Part Number	Description	Width (Inches/mm)	Height (Inches/mm)	Depth (Inches/mm)	Weight LBS.
07193211	Without terminal chamber, with closed front frame	5.83 / 148	5.87 / 149	10.16 / 258	3.75 lbs.
07283211	Without terminal chamber, with closed front frame	7.52 / 191	5.87 / 149	10.16 / 258	5.51 lbs.
07423211	Without terminal chamber, with closed front frame	10.43 / 265	5.87 / 149	10.16 / 258	7.94 lbs.
07192211	Without terminal chamber, with clear front cover	5.83 / 148	5.87 / 149	10.35 / 263	3.31 lbs.
07282211	Without terminal chamber, with clear front cover	7.52 / 191	5.87 / 149	10.35 / 263	4.85 lbs.
07422211	Without terminal chamber, with clear front cover	10.43 / 265	5.87 / 149	10.35 / 263	7.28 lbs.
07193111	Without terminal chamber and closed front frame	5.83 / 148	9.49 / 241	11.02 / 280	5.51 lbs.
07283111	With terminal chamber and closed front frame	7.52 / 191	9.49 / 241	11.02 / 280	8.38 lbs.
07423111	With terminal chamber and closed front frame	10.43 / 265	9.49 / 241	11.02 / 280	12.35 lbs.
07192111	With terminal chamber and clear front cover	5.83 / 148	9.49 / 241	11.22 / 285	4.85 lbs.
07282111	With terminal chamber and clear front cover	7.52 / 191	9.49 / 241	11.22 / 285	7.28 lbs.
07422111	With terminal chamber and clear front cover	10.43 / 265	9.49 / 241	11.22 / 285	11.02 lbs.

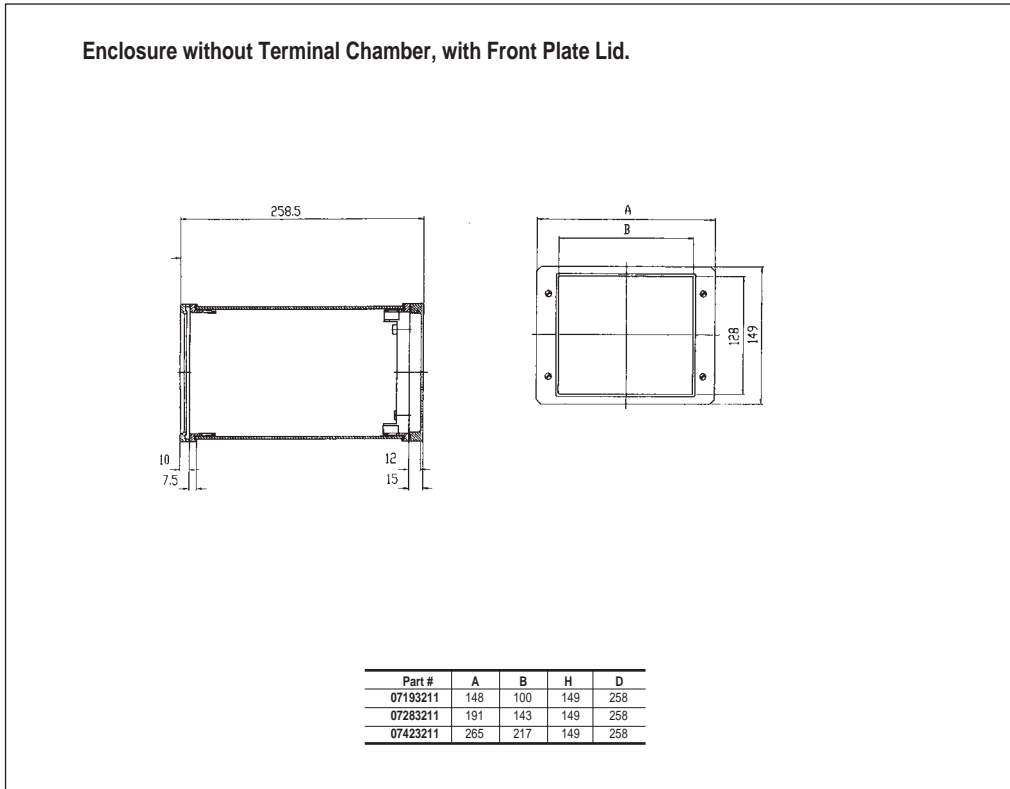
Note: Dimensions are external. Metric is the primary dimension. Inch conversions are for the user's convenience and are for reference only.





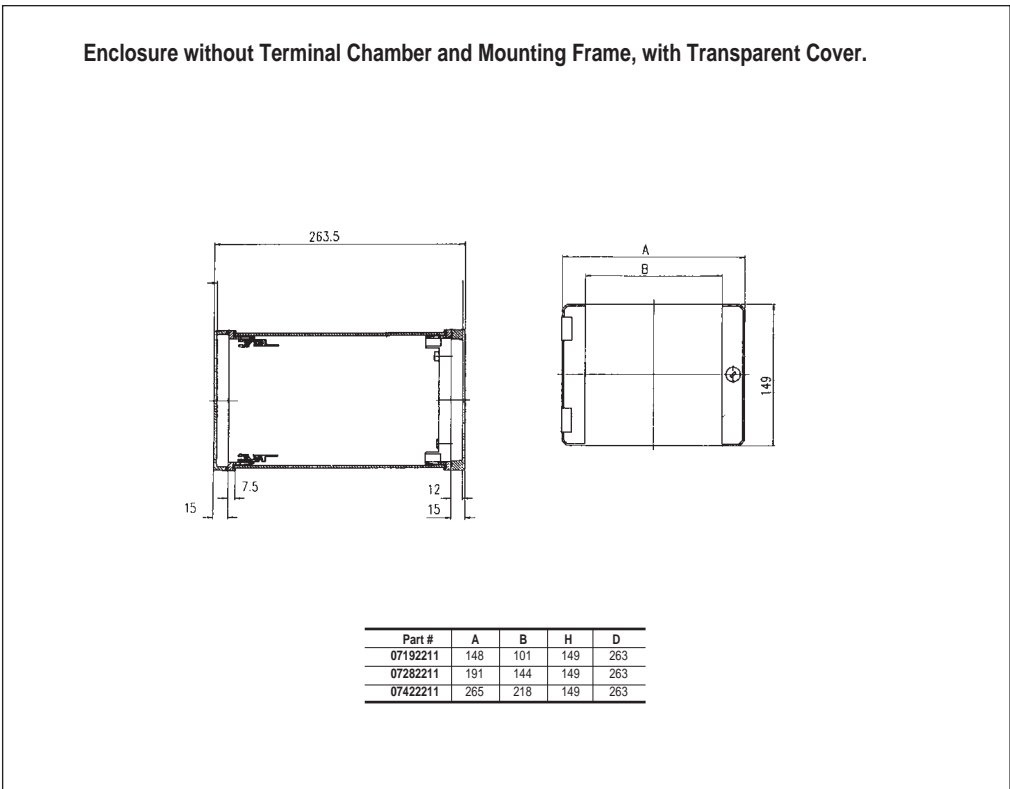
**Profitronic 19 Universal** Page 15-6

- Standard Features**
- **07193211** Without terminal chamber, with closed front lid.
  - **07283211** Without terminal chamber, with closed front lid.
  - **07423211** Without terminal chamber, with closed front lid.
  - **07000200** External Brackets.



**Profitronic 19 Universal** Page 15-6

- Standard Features**
- **07192211** Without terminal chamber, with clear front cover.
  - **07282211** Without terminal chamber, with clear front cover.
  - **07422211** Without terminal chamber, with clear front cover.
  - **07000200** External Brackets.

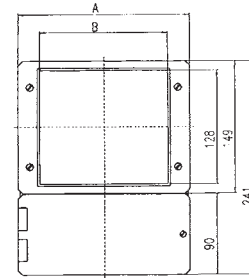
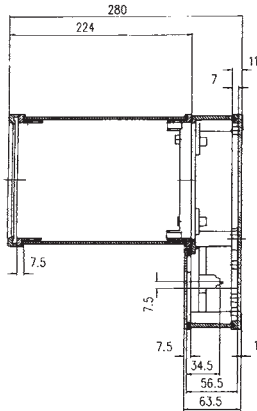


Dimensional Drawings

# 19" Enclosures

Standard Features
<ul style="list-style-type: none"> <li>• <b>07193111</b> With terminal chamber and closed front frame.</li> <li>• <b>07283111</b> With terminal chamber and closed front frame.</li> <li>• <b>07423111</b> With terminal chamber and closed front frame.</li> </ul>
Accessories
<ul style="list-style-type: none"> <li>• <b>07000100</b> External Brackets.</li> </ul>

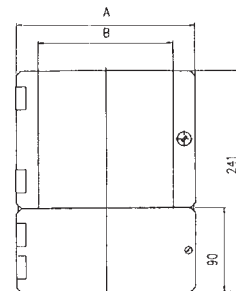
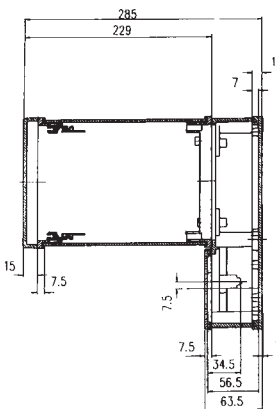
## Enclosure with Terminal Chamber, Front Plate Lid



Part #	A	B	H	D
<b>07193111</b>	148	100	241	280
<b>07283111</b>	191	143	241	280
<b>07423111</b>	265	217	241	280

Standard Features
<ul style="list-style-type: none"> <li>• <b>07192111</b> With terminal chamber and clear front cover.</li> <li>• <b>07282111</b> With terminal chamber and clear front cover.</li> <li>• <b>07422111</b> With terminal chamber and clear front cover.</li> </ul>
Accessories
<ul style="list-style-type: none"> <li>• <b>07000100</b> External Brackets.</li> </ul>

## Enclosure with Terminal Chamber, Mounting Frame and Transparent Cover.



Part #	A	B	H	D
<b>07192111</b>	148	98	241	285
<b>07282111</b>	191	144	241	285
<b>07422111</b>	265	215	241	285

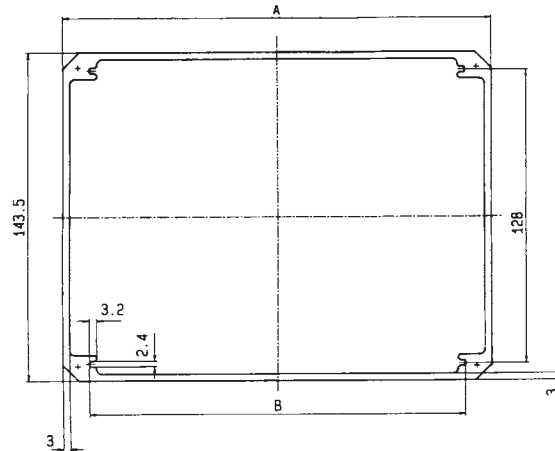


**Profitronic 19 Universal**

**Standard Features**

- Profitronic Universal Aluminum Extrusion.

**Profile Design**



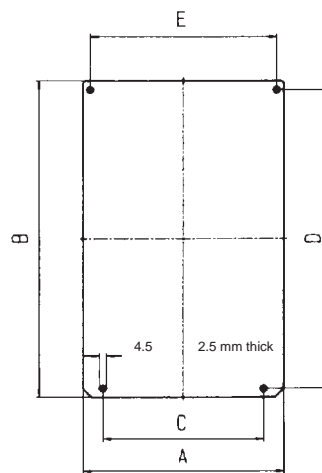
Part #	A	B	Front profile depth of model with Terminal Chamber	Profile depth of model without Terminal Chamber
0719	142.5	119.5	180.6	220.6
0728	185.5	162.5	180.6	220.6
0742	259.5	236.5	180.6	220.6

**Profitronic 19 Accessories**

**Accessories**

- 07190030 Mounting Plate for 0719 models.
- 07280030 Mounting Plate for 0728 models.
- 07420030 Mounting Plate for 0742 models.

**Mounting Plate for Terminal Chamber.**



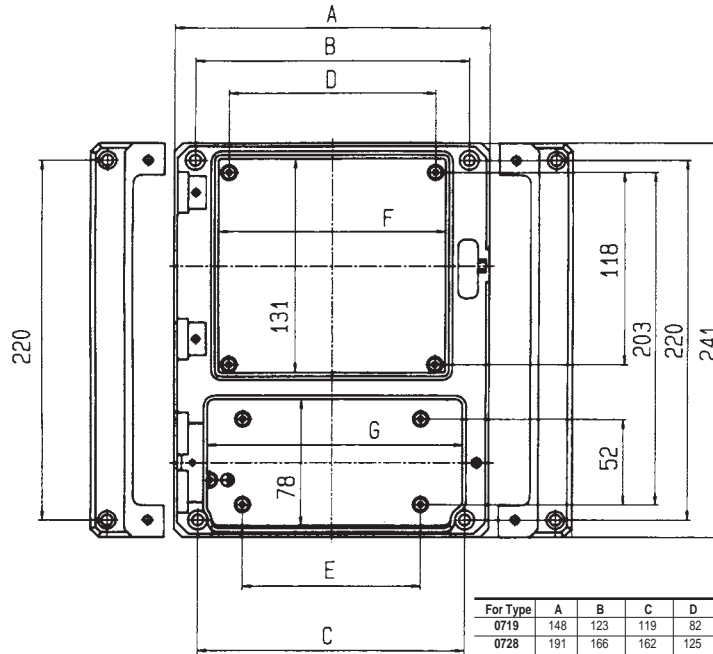
Part #	For Type	A	B	C	D	E
07190030	0719	92	215	65	203	82
07280030	0728	135	215	108	203	125
07420030	0742	209	215	162	203	199

# 19" Enclosures

**Standard Features**

Four bosses in terminal chamber for circuit boards, DIN Rail etc., including screws.

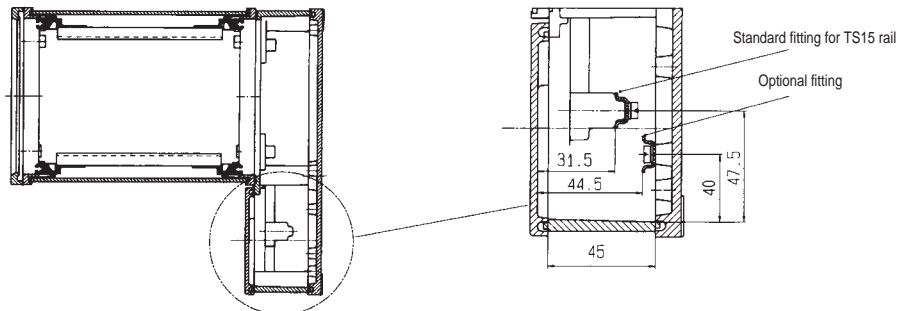
**Arrangement of Bosses**



**Standard Features**

- Standard Mounting Boss for TS15 rail.
- Optional Mounting Boss for TS15 rail.

**TS15 Terminal Rail Mounting**

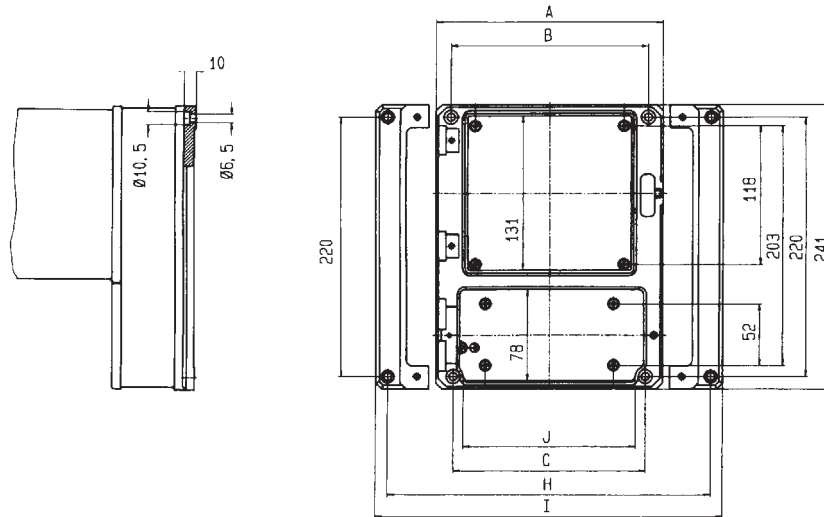




**Accessories**

- **07000100** External Mounting Bracket, cast aluminum.

**External Mounting Brackets for Enclosures with Terminal Chamber**

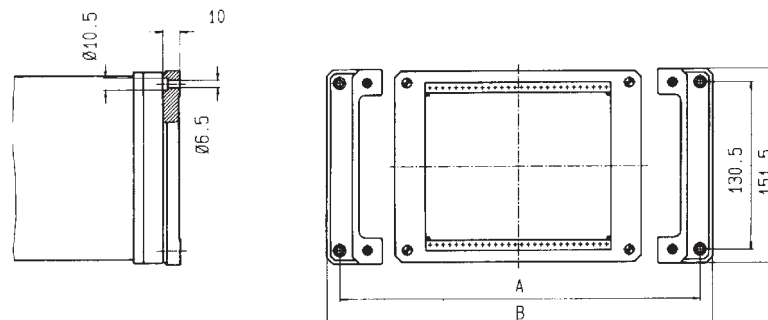


For type	A	B	C	H	I
0719	148	123	119	169	99
0728	191	166	162	212	232
0742	265	240	236	286	306

**Accessories**

- **07000200** External Mounting Bracket, cast aluminum.

**External Mounting Brackets for Enclosures without Terminal Chamber**



For Type	A	B
0719	169	189
0728	212	232
0742	286	306

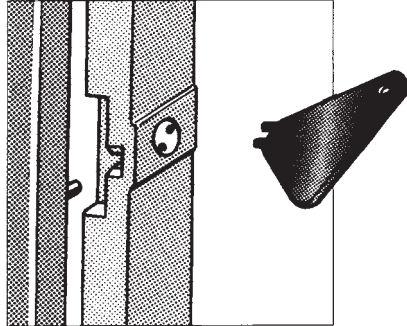
# 19" Enclosures

## Profitronic Accessories

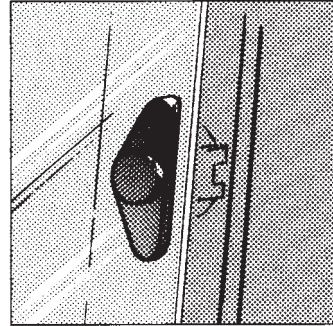
Page 15-2 to 15-6

### Standard Features

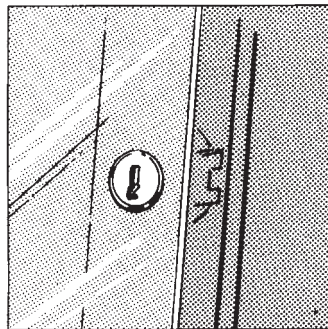
- 07000017 Special lock with socket wrench for terminal chamber.
- 07000018 Handle for transparent cover.
- 07000019 Cylinder lock for transparent cover.
- 10070019 Set of self-adhesive table feet.
- 07000010 Fixed board guide.
- 07000011 Variable board guide.



Special Lock



Handle



Cylinder Lock

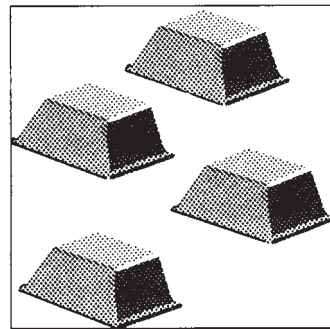
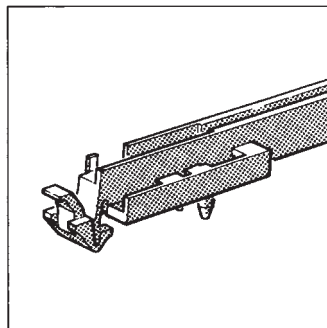
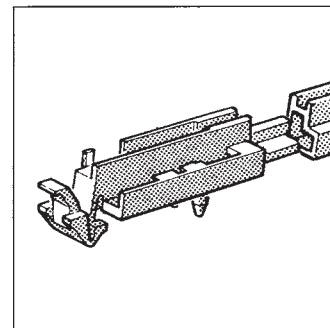


Table feet



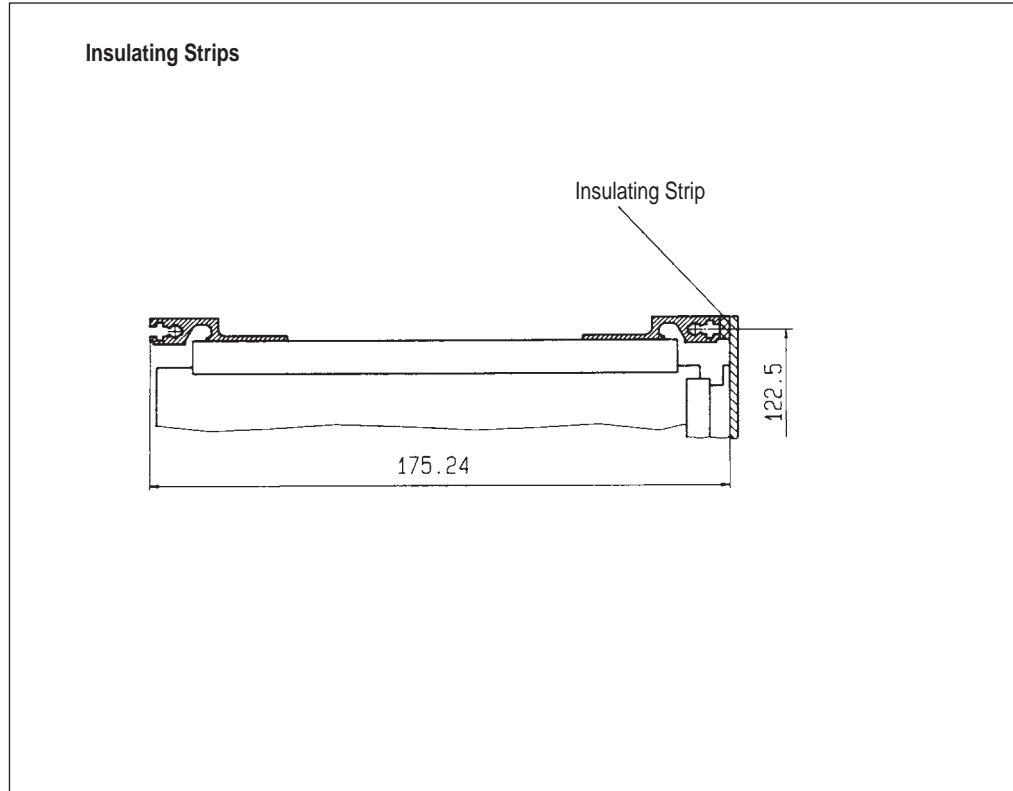
Fixed Board Guide



Variable Board Guide

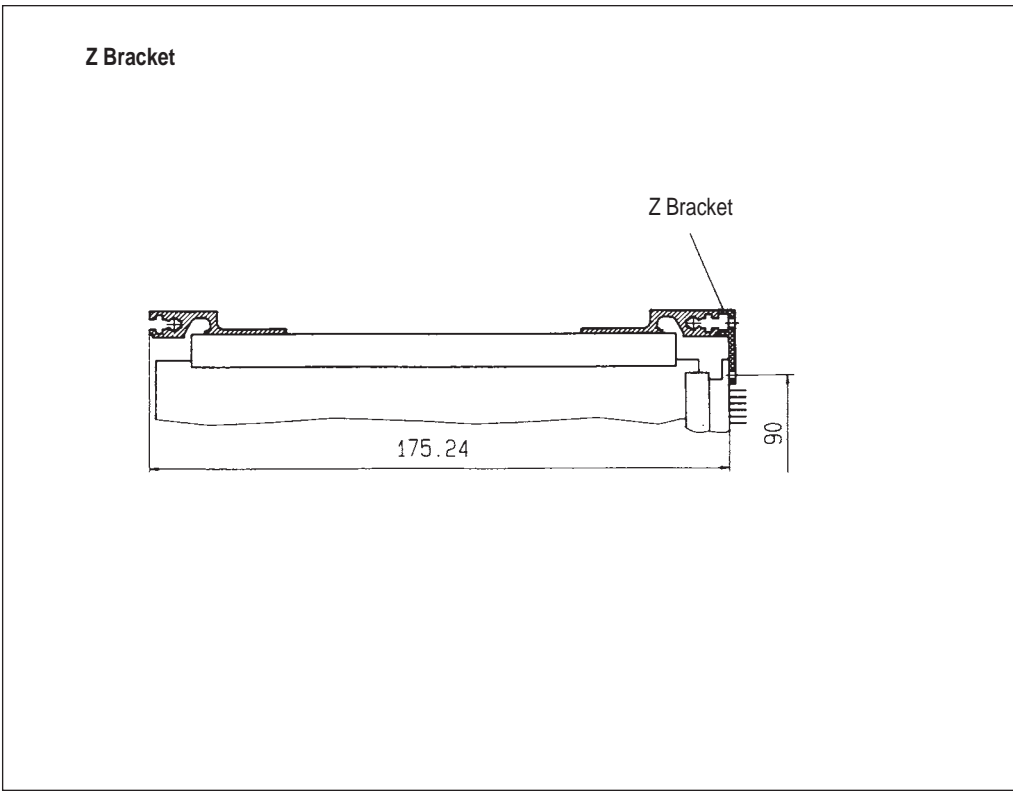
**Profitronic 19 Accessories** Page 15-2, 3, 4

Accessories
<ul style="list-style-type: none"> <li>• <b>07190020</b> Insulating strips for fitting bus boards on 0719 models. (Profitronic 19 only)</li> <li>• <b>07280020</b> Insulating strips for fitting bus boards on 0728 models. (Profitronic 19 only)</li> <li>• <b>07420020</b> Insulating strips for fitting bus boards on 0742 models. (Profitronic 19 only)</li> </ul>



**Profitronic 19** Page 15-2, 3, 4

Accessories
<ul style="list-style-type: none"> <li>• <b>07190010</b> Z bracket, aluminum profile, for mounting connector bars on 0719 models. (Profitronic 19 only)</li> <li>• <b>07280010</b> Z bracket, aluminum profile, for mounting connector bars on 0728 models. (Profitronic 19 only)</li> <li>• <b>07420010</b> Z bracket, aluminum profile, for mounting connector bars on 0742 models. (Profitronic 19 only)</li> </ul>



Dimensional Drawings